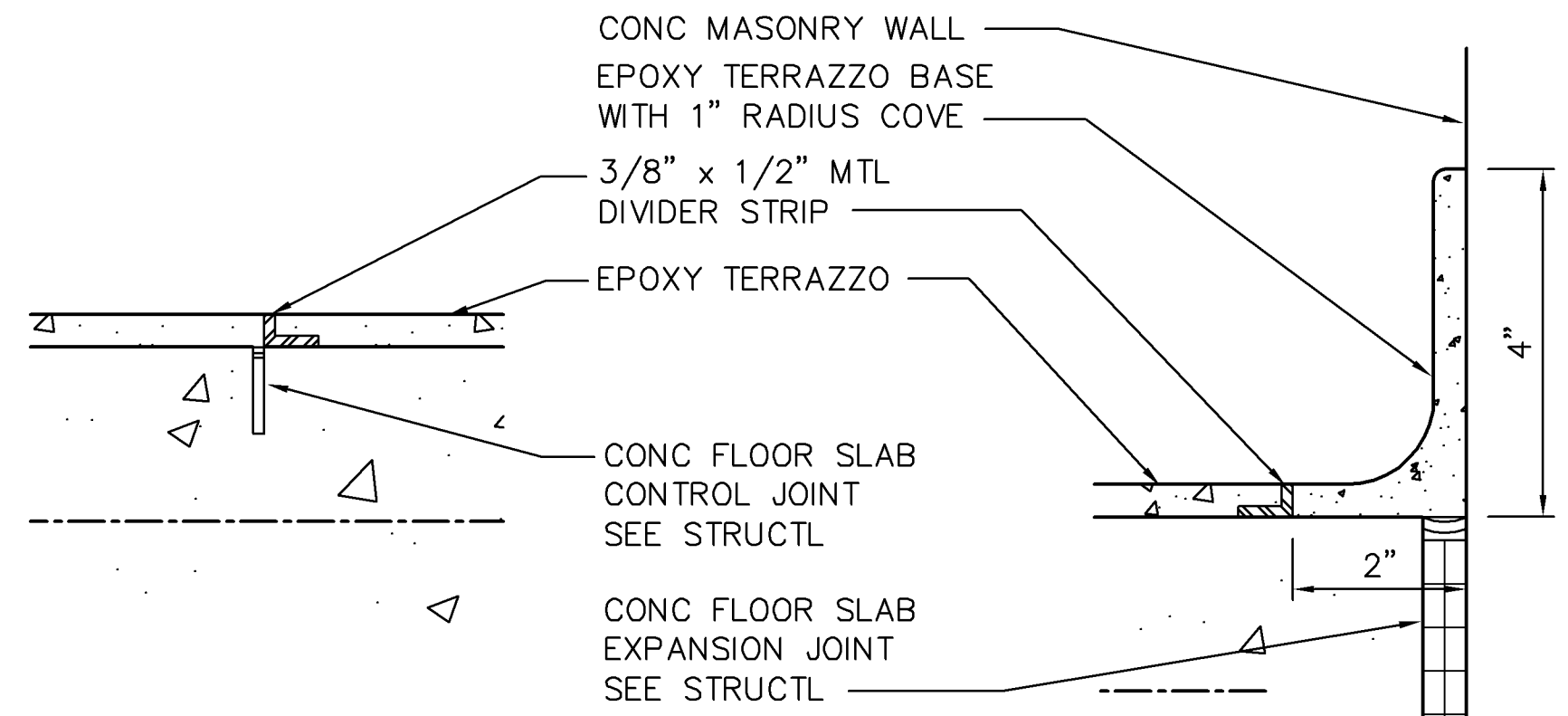
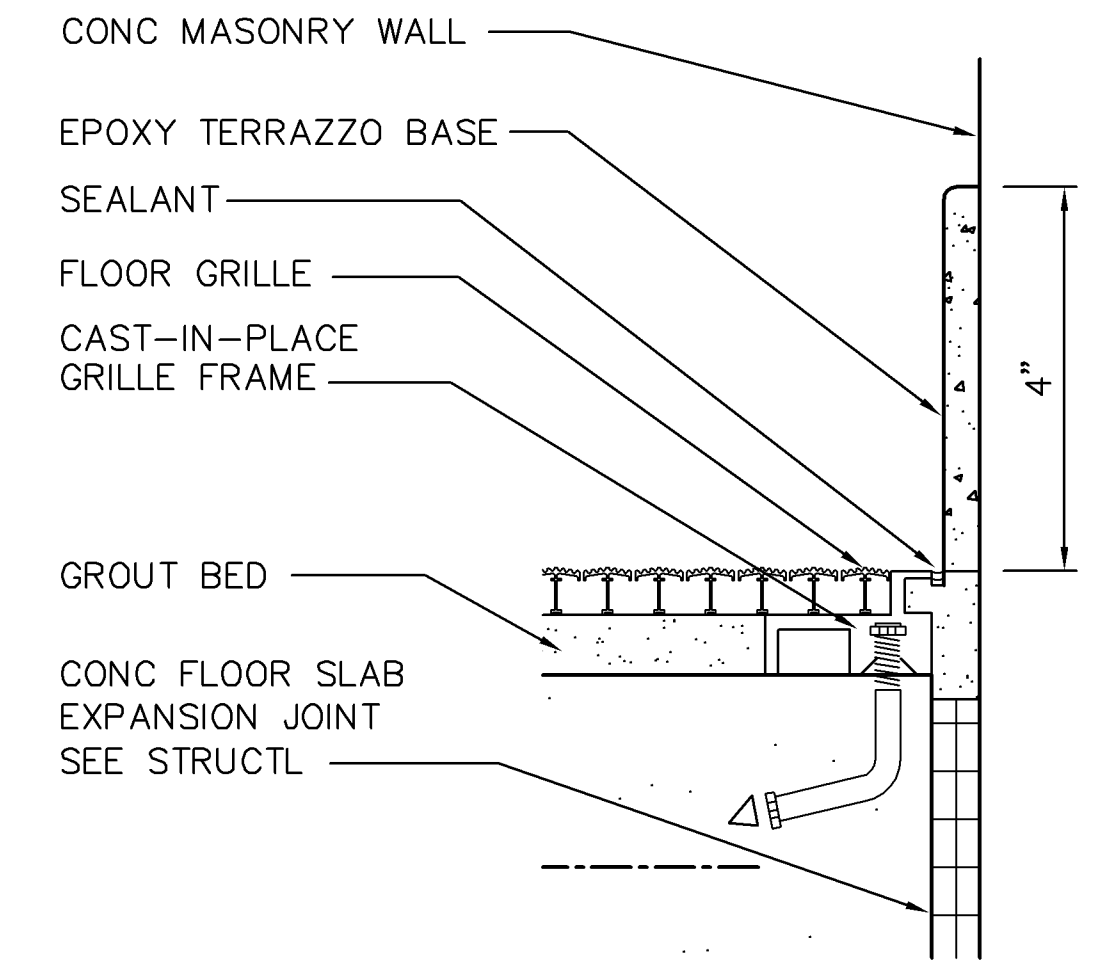


B
VCT/TERRAZZO
CONC/TERRAZZO SIMILAR
SCALE: 6" = 1'-0"



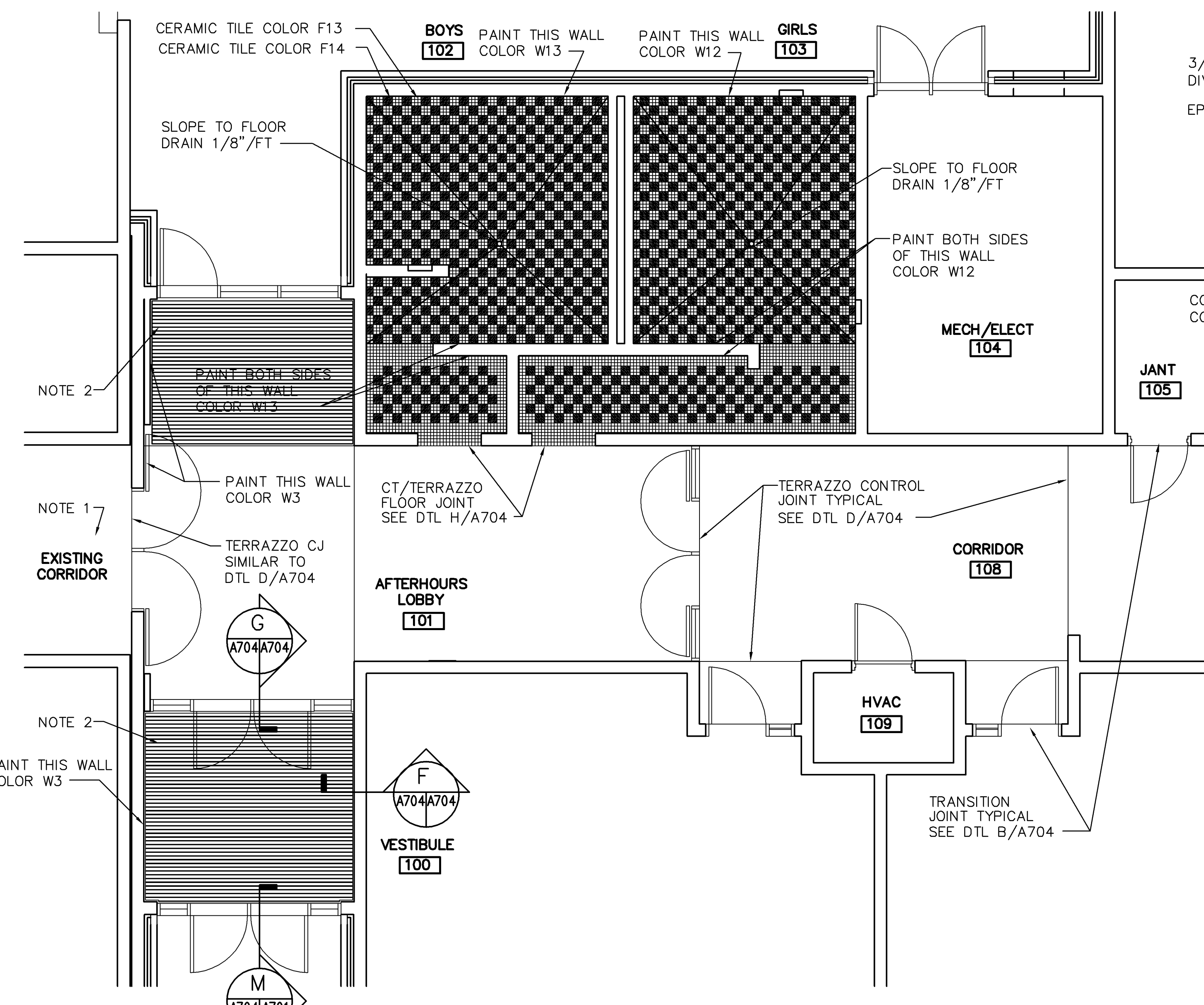
D
TERRAZZO CONTROL JT
SCALE: 6" = 1'-0"



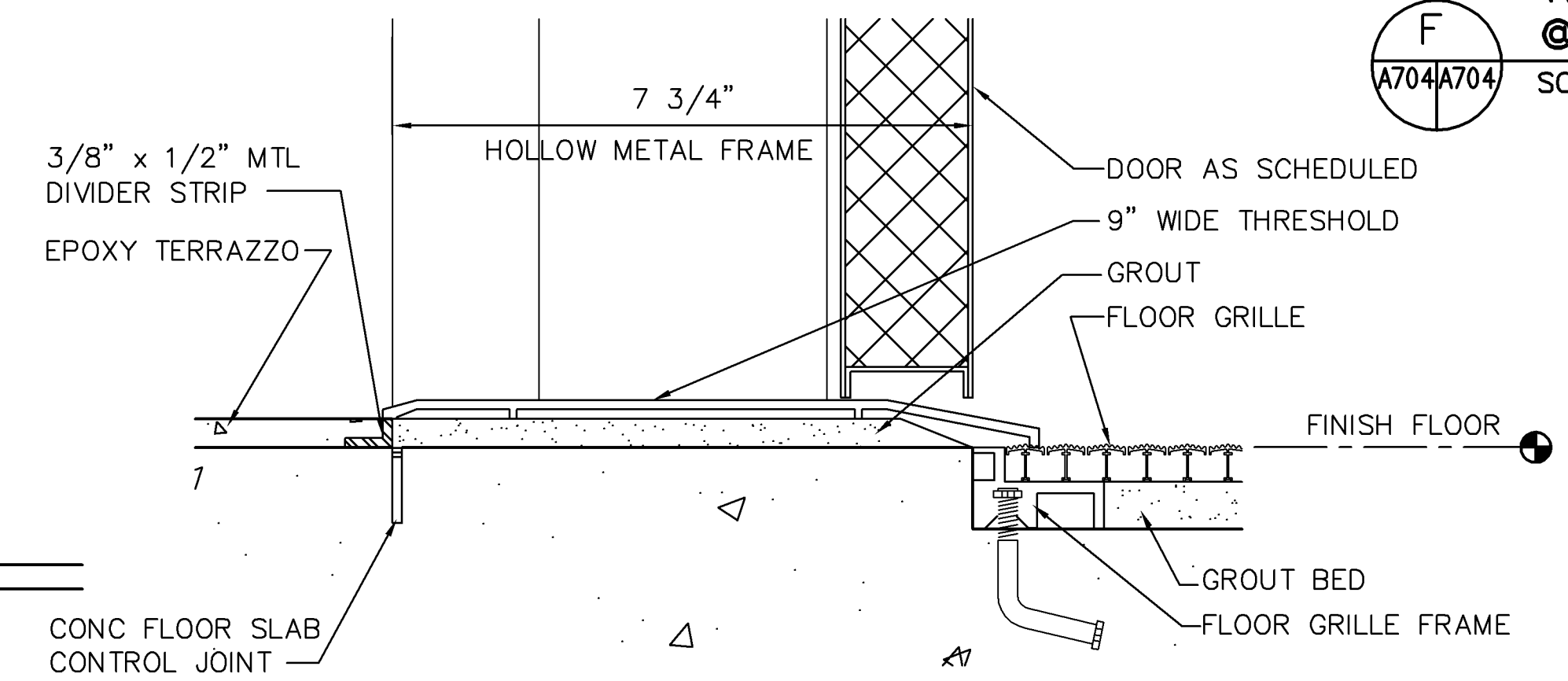
F
TERRAZZO BASE
@ FLOOR GRILLE
SCALE: 6" = 1'-0"

C
TERRAZZO/
CERAMIC TILE (THIN SET)
SCALE: 6" = 1'-0"

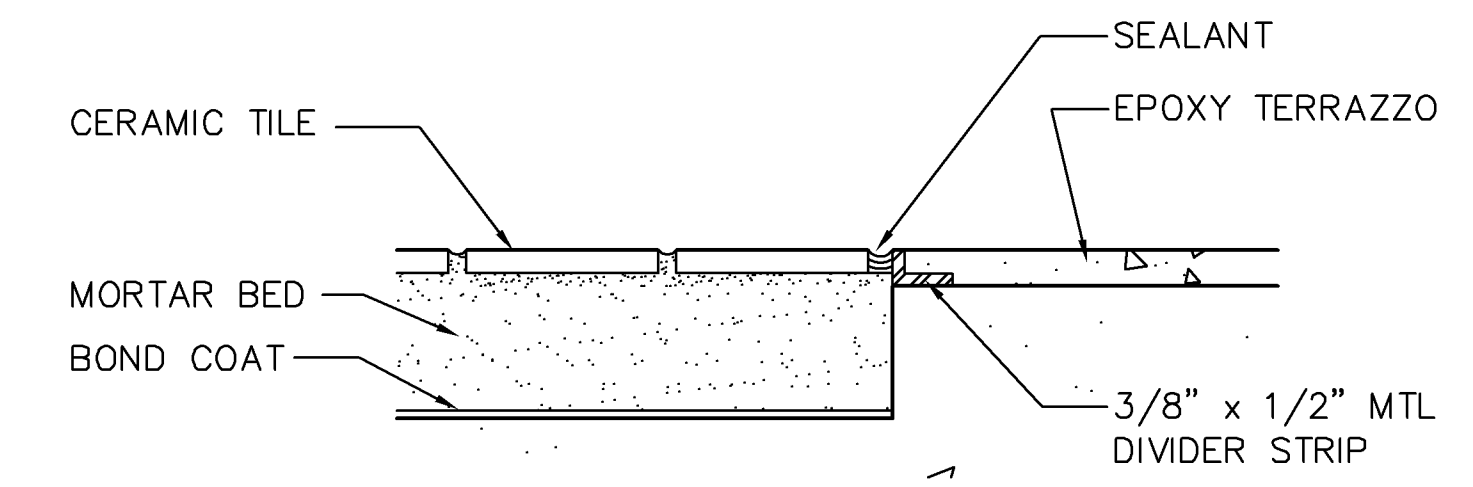
E
TYP TERRAZZO BASE
SCALE: 6" = 1'-0"



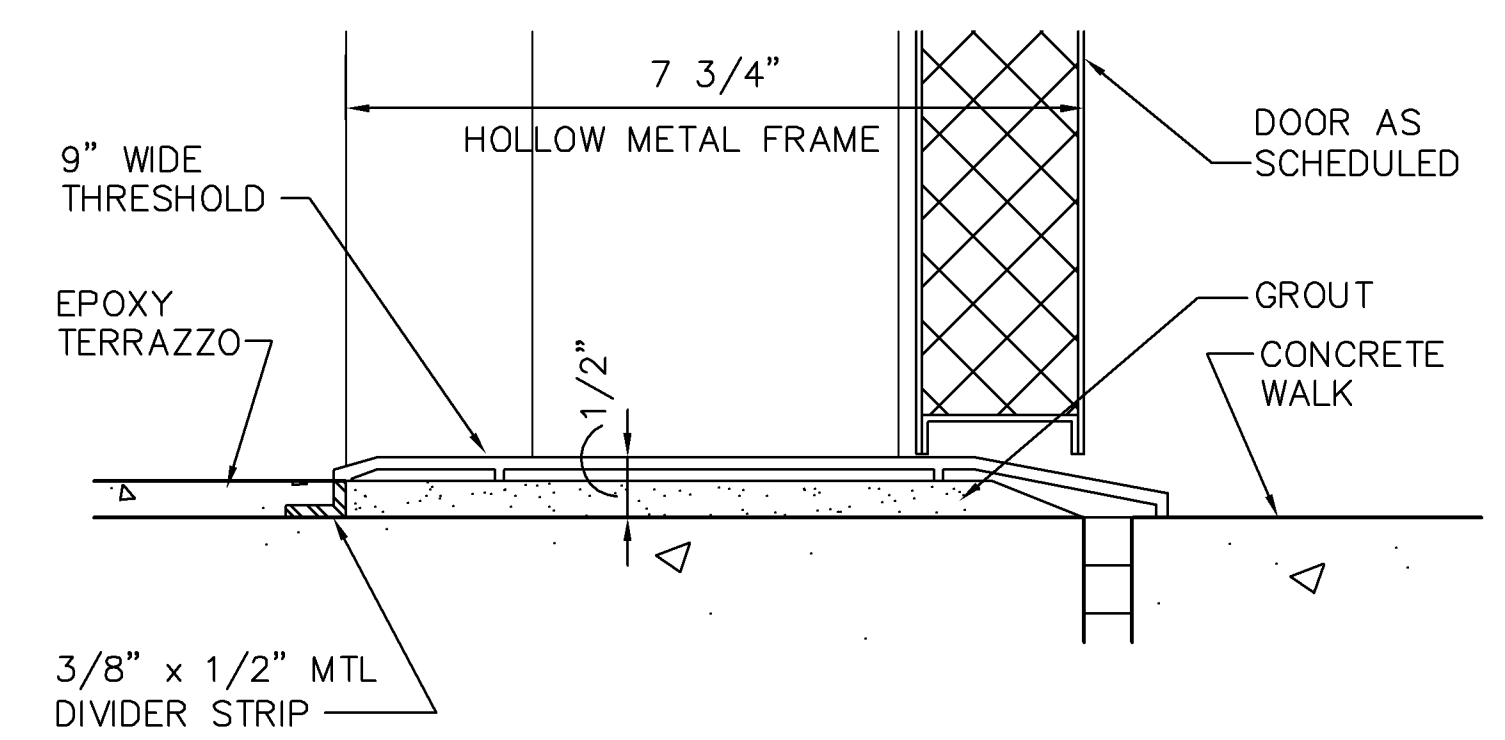
A
PARTIAL FLOOR PATTERN PLAN
SCALE: 1/4" = 1'-0"



G
SILL @ DOORS 101A & 121
SCALE: 6" = 1'-0"



H
TERRAZZO/CERAMIC TILE (MUD SET)
SCALE: 6" = 1'-0"



J
SILL @ DOOR 101C
SCALE: 6" = 1'-0"

GENERAL NOTES

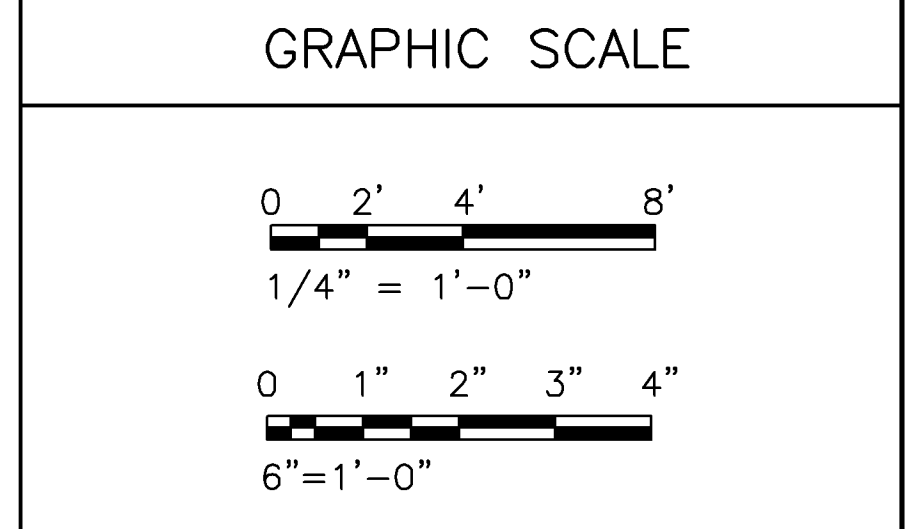
A. SEE FINISH SCHEDULE, PLATE A601, FOR FLOOR FINISHES AT EACH SPACE.

B. SEE INTERIOR COLOR SCHEDULE, PLATE A601, FOR COLOR LEGEND.

KEYED NOTES

1. REPLACE ANY EXISTING TERRAZZO FLOOR FINISH DAMAGED BY DEMOLITION OR NEW WORK. REPLACEMENT TO BE TAKEN TO NEAREST EXISTING DIVIDER STRIP.

2. RECESSED FLOOR GRILLE.



US ARMY CORPS OF ENGINEERS SAVANNAH

DATE	25 JAN 2010
SOLUTION NO.	W310109-R-0018
CONTRACT NO.	
DESIGNED BY	SCD
CD BY	SCD
SK BY	SCD
SUBMITTED BY	SCD
FILE NAME	730-46-01
SIZE	34x22
PLOT SCALE	
PLOT DATE	

U.S. ARMY ENGINEER DISTRICT SAVANNAH DISTRICT

LS&P ASSOCIATES LTD. 205 1/2 KING STREET CHARLESTON, SC 29401

ALBRITTON JUNIOR HIGH SCHOOL ADDITION FT BRAGG NORTH CAROLINA

FLOOR PATTERNS & DETAILS

PLATE REFERENCE NUMBER A-704 SHEET 64