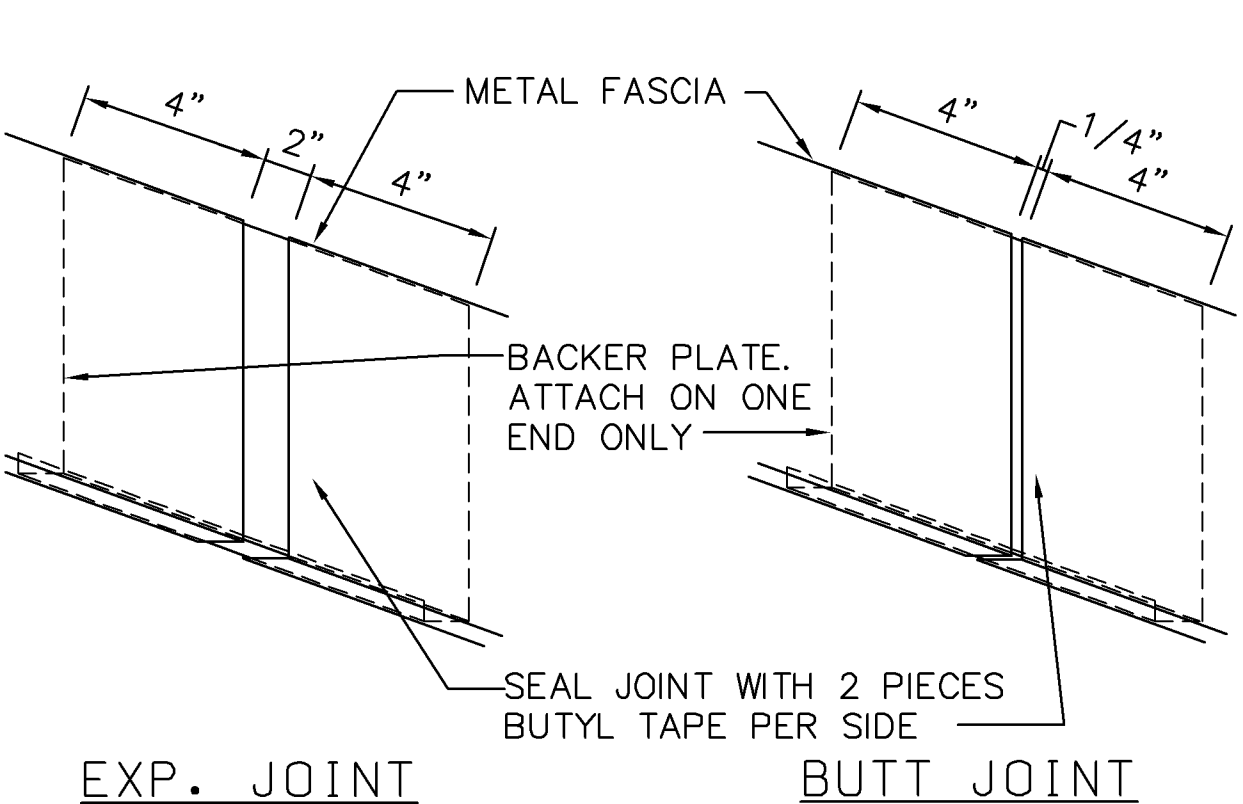
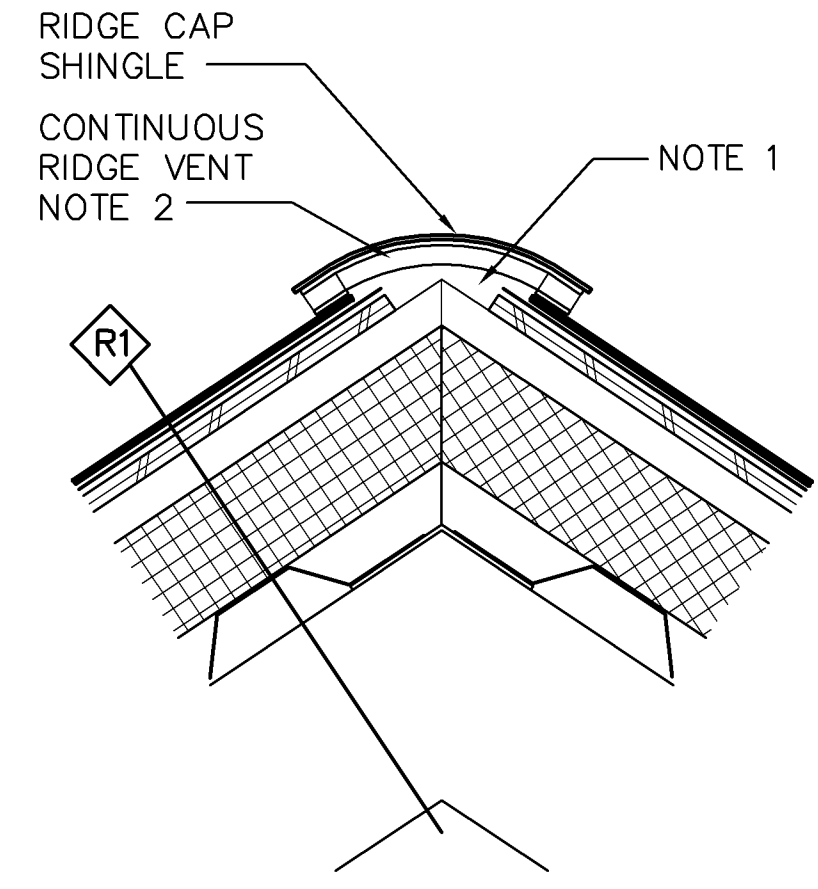


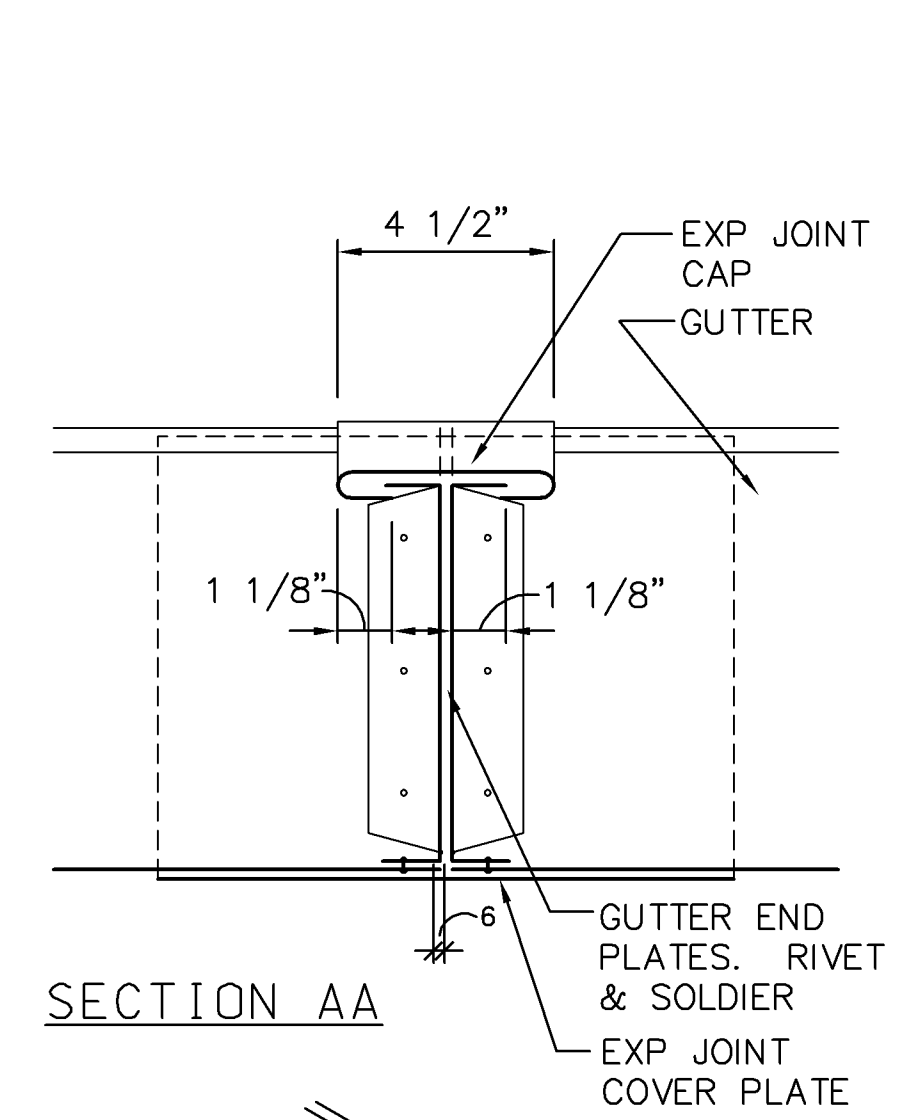
C TYPICAL GUTTER
A501/A501 NOT TO SCALE



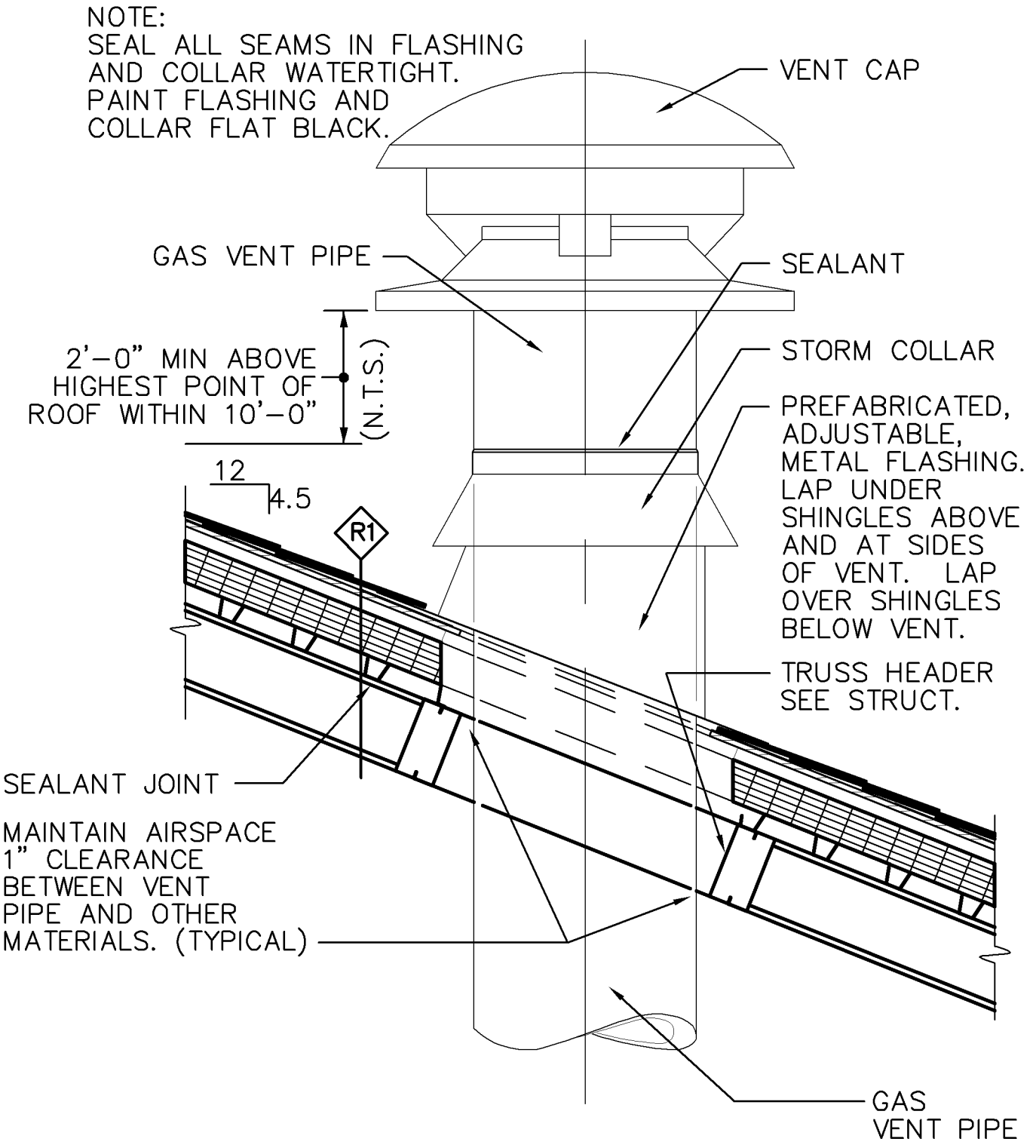
F FASCIA JOINTS
A501/A501 NOT TO SCALE



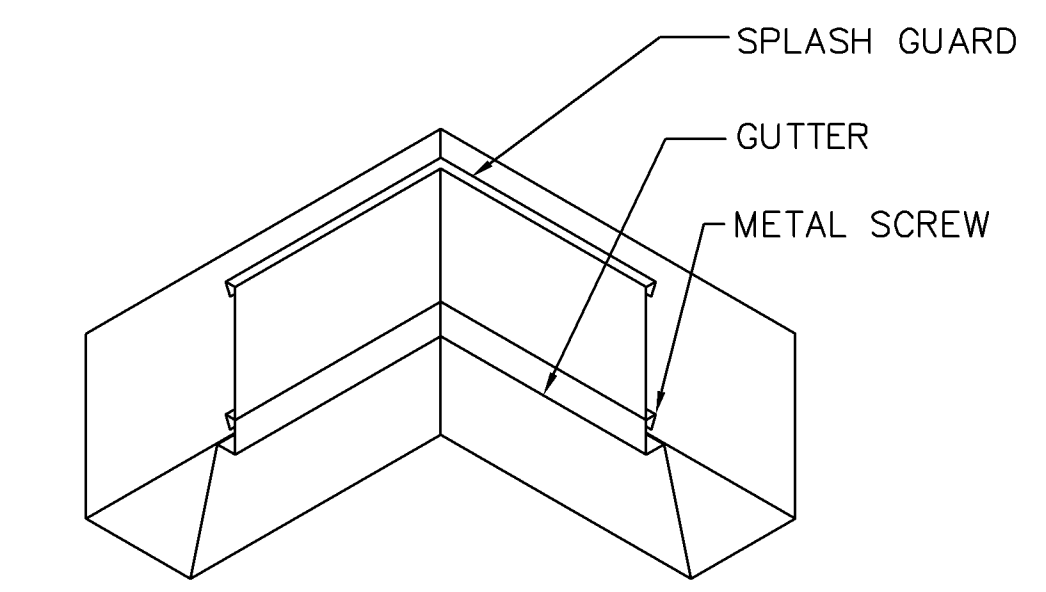
H RIDGE VENT
A103/A501 NOT TO SCALE



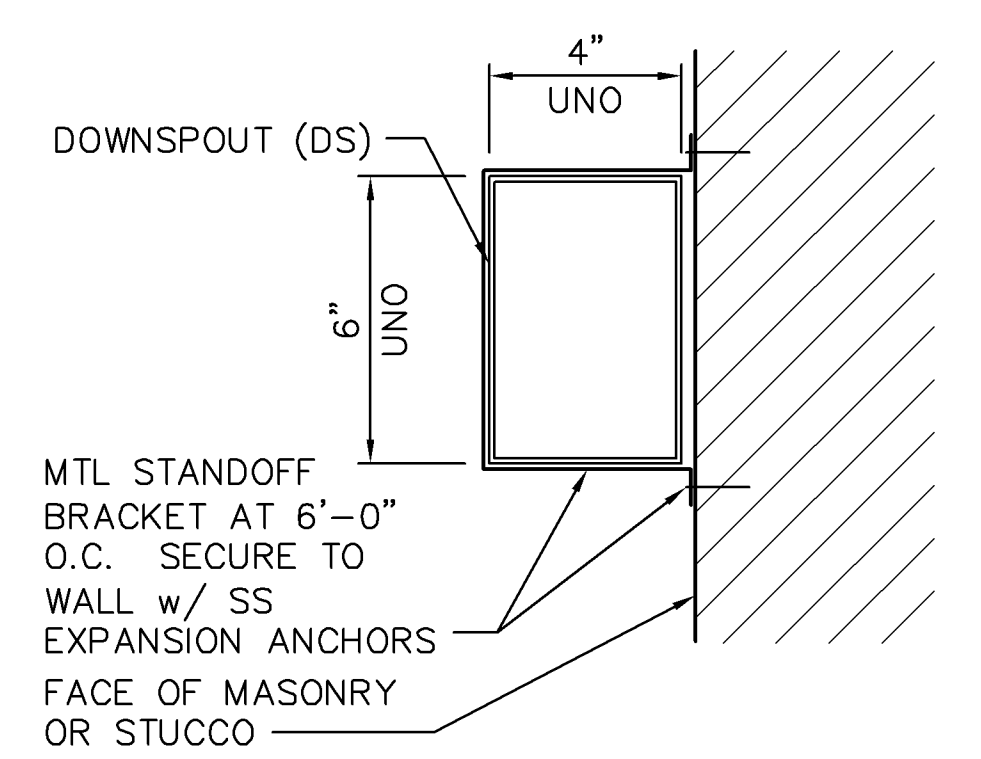
I GUTTER EXP JOINT (GEJ)
A103/A501 NOT TO SCALE



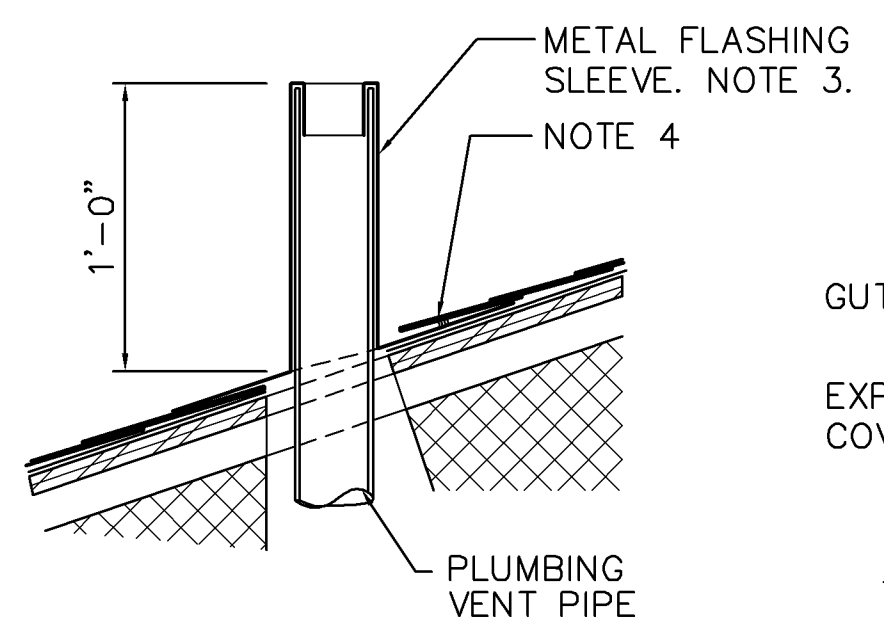
J BOILER FLUE FLASHING
A103/A501 NOT TO SCALE



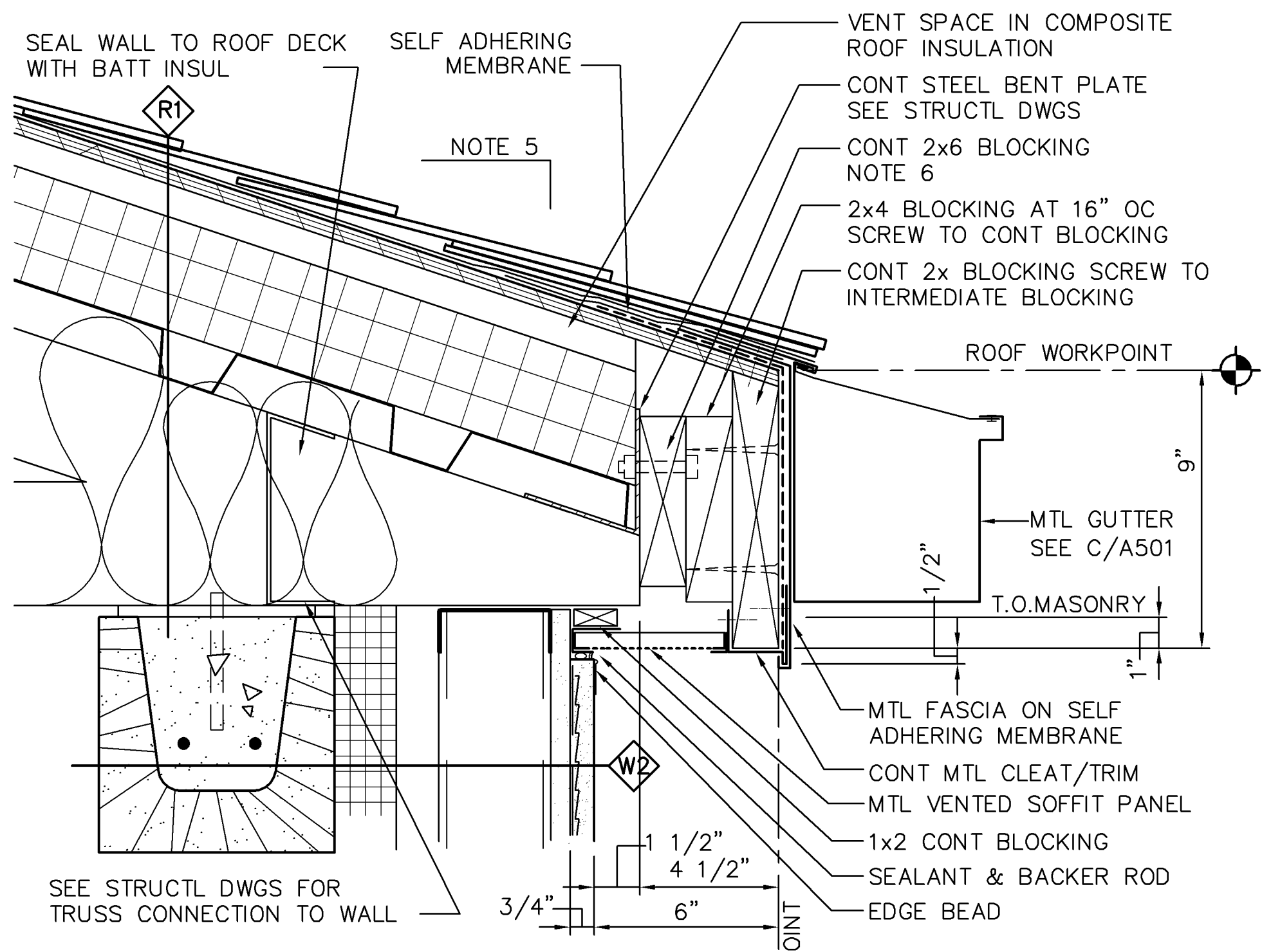
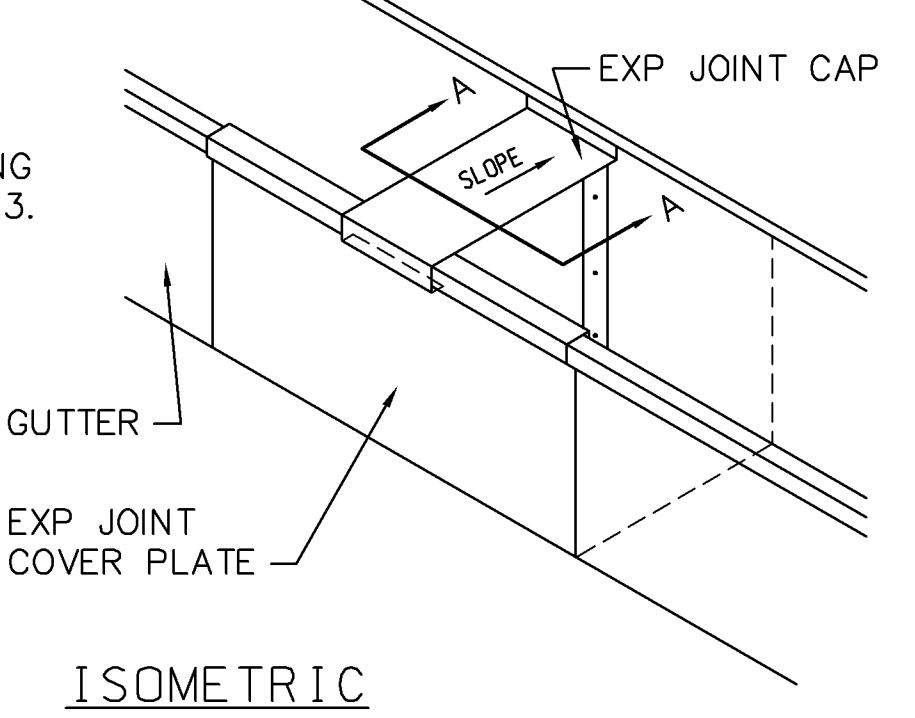
B GUTTER SPLASH GUARD
A103/A501 NOT TO SCALE



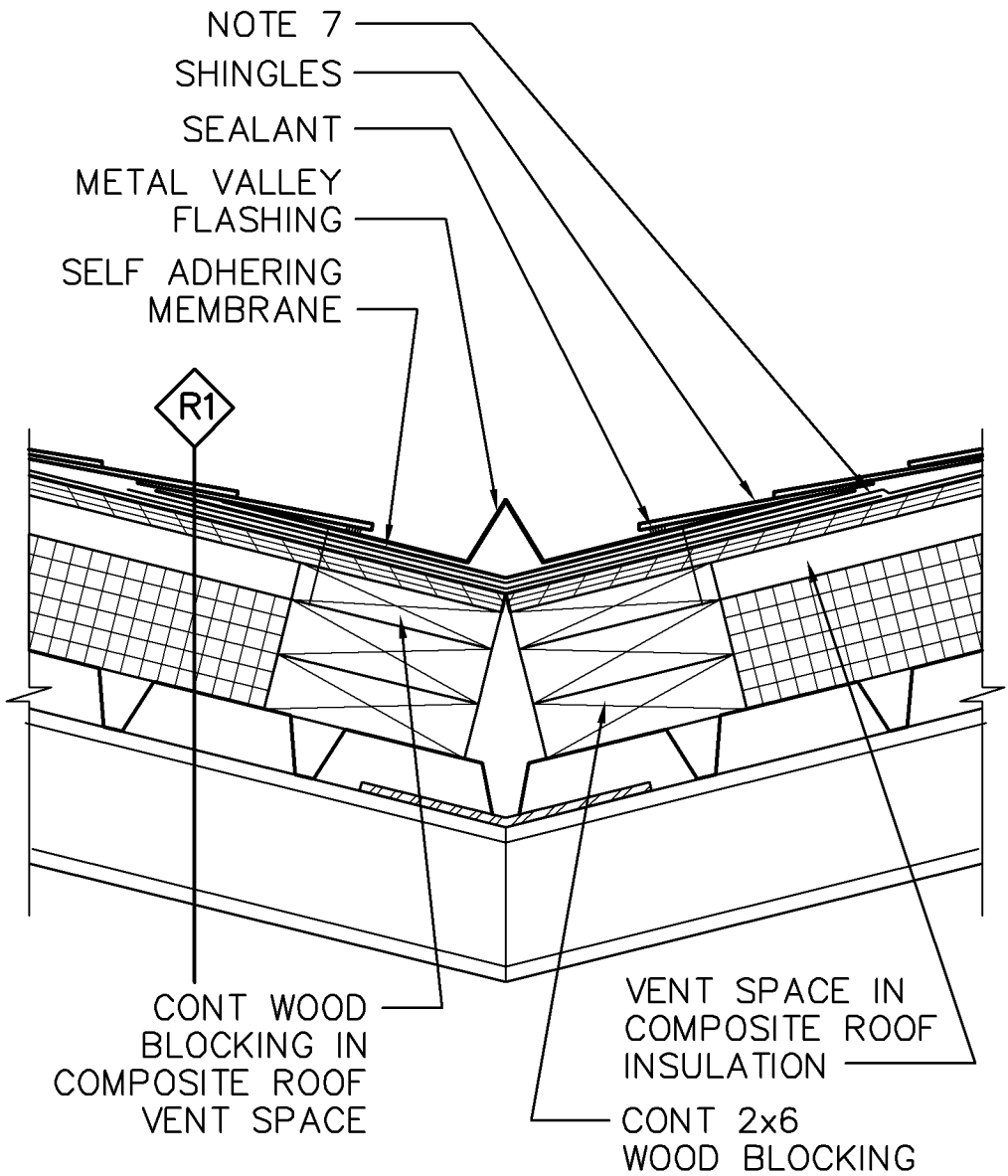
E TYPICAL DOWNSPOUT
A101/A501 NOT TO SCALE



G VENT THRU ROOF
A103/A501 NOT TO SCALE

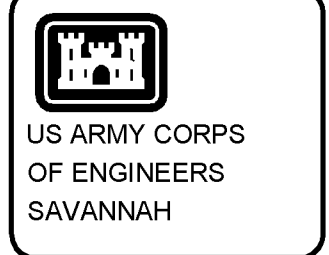
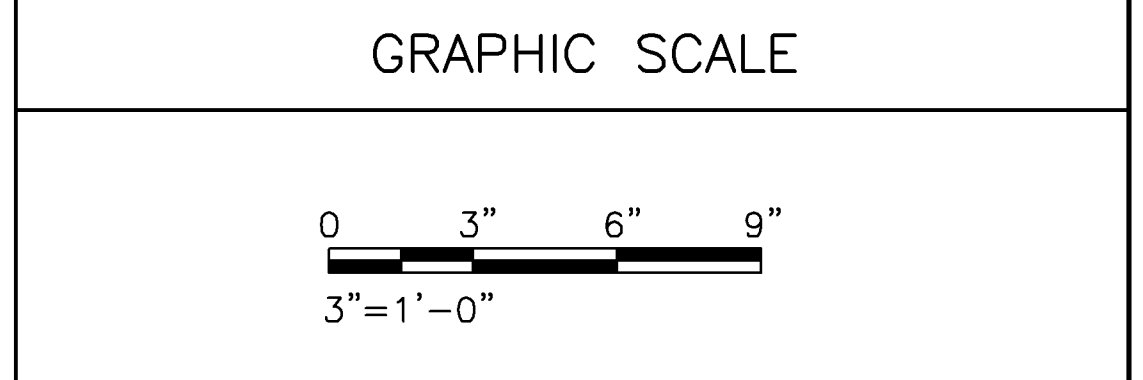


A TYPICAL EAVE DETAIL
A103/A501 SCALE: 3" = 1'-0"
A301



D TYPICAL VALLEY DETAIL
A302/A501 NOT TO SCALE

- KEYED NOTES**
- REMOVE SHEATHING 1" EACH SIDE OF RIDGE VENT.
 - TERMINATE RIDGE VENT 2'-0" FROM ENDS OF ROOF RIDGE.
 - METAL FLASHING SLEEVE WITH FLANGE OVERLAPPING 4" MINIMUM UNDER SHINGLES (UPSLOPE & AT SIDES) AND 4" OVER SHINGLES (DOWNSLOPE).
 - APPLY ROOFING SEALANT BETWEEN SHINGLES AND FLASHING FLANGE WHERE SHINGLES ARE LOCATED ABOVE FLASHING FLANGE.
 - ROOF SLOPE VARIES BY LOCATION. SEE ROOF PLAN.
 - ANCHOR TO BENT PLATE WITH 3/8" DIAMETER BOLTS AT 4'-0" O.C.
 - EXTEND SELF ADHERING MEMBRANE ACROSS VALLEY AND OVERLAP WITH OPPOSING MEMBRANE.



SYMBOL	DESCRIPTION	DATE	BY

DESIGNED BY: SCD	DATE: 23 JAN 2010
DRAWN BY: SUBJUDA	SCALE: 3/4\"/>
SUBMITTED BY:	PROJECT NO: 150100-00-R-0018
FILE NAME:	CONTRACT NO:
SIZE: 34x22	CATEGORY CODE: 730-46-01
	PLOT DATE:

U.S. ARMY ENGINEER DISTRICT
CORPS OF ENGINEERS
SAVANNAH DISTRICT

LS3P ASSOCIATES LTD.
205 1/2 KING STREET
CHARLESTON, SC 29401

ALBRITTON JUNIOR HIGH SCHOOL ADDITION
FT BRAGG NORTH CAROLINA

ROOF DETAILS

PLATE REFERENCE NUMBER
A-501
SHEET 57