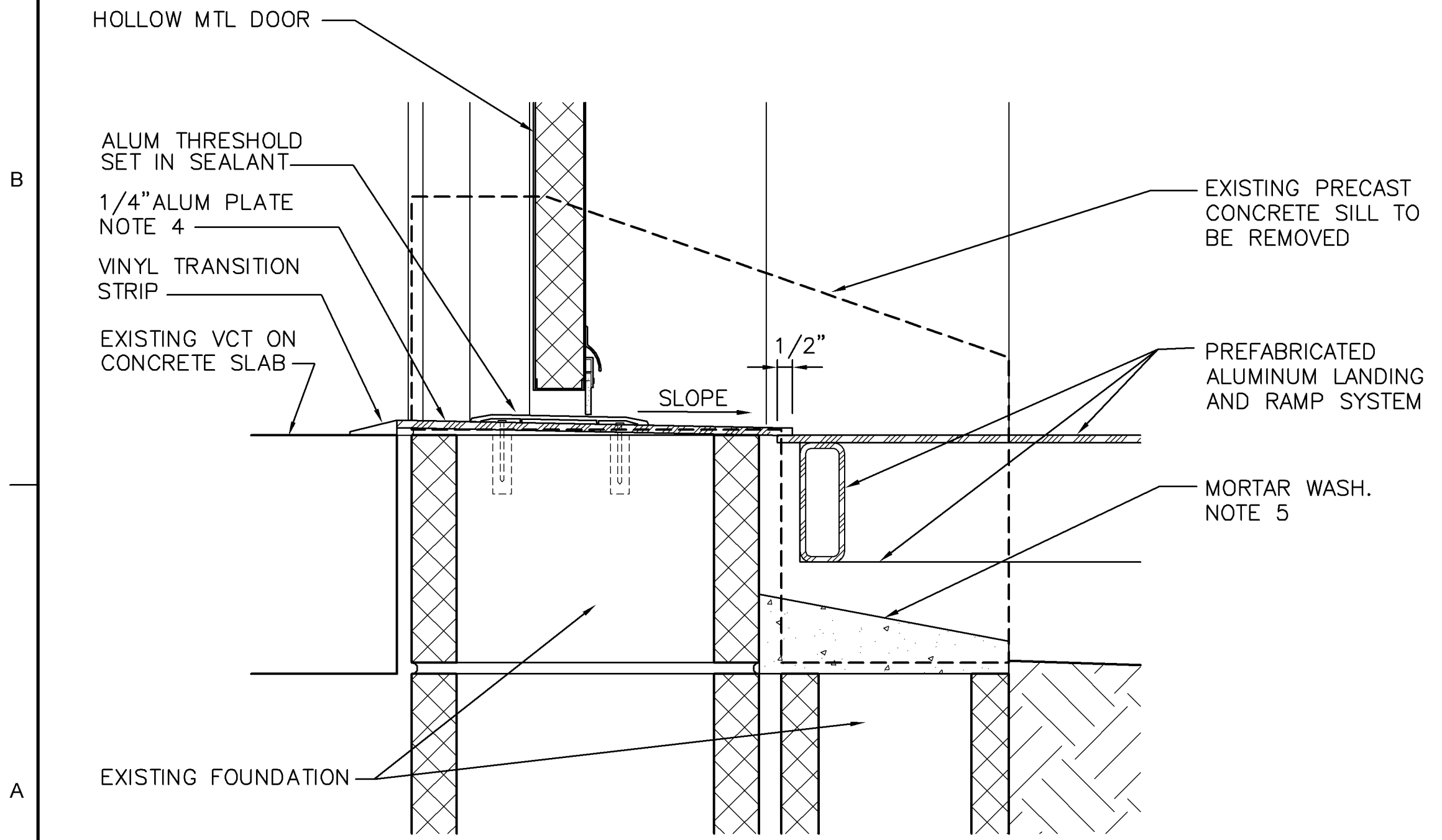
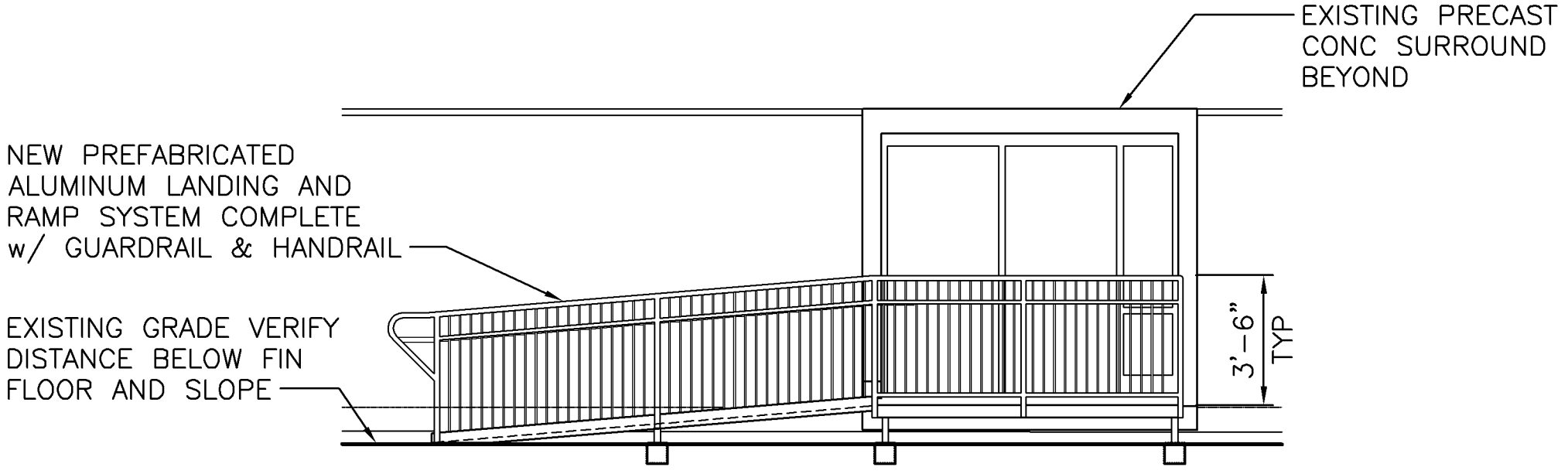


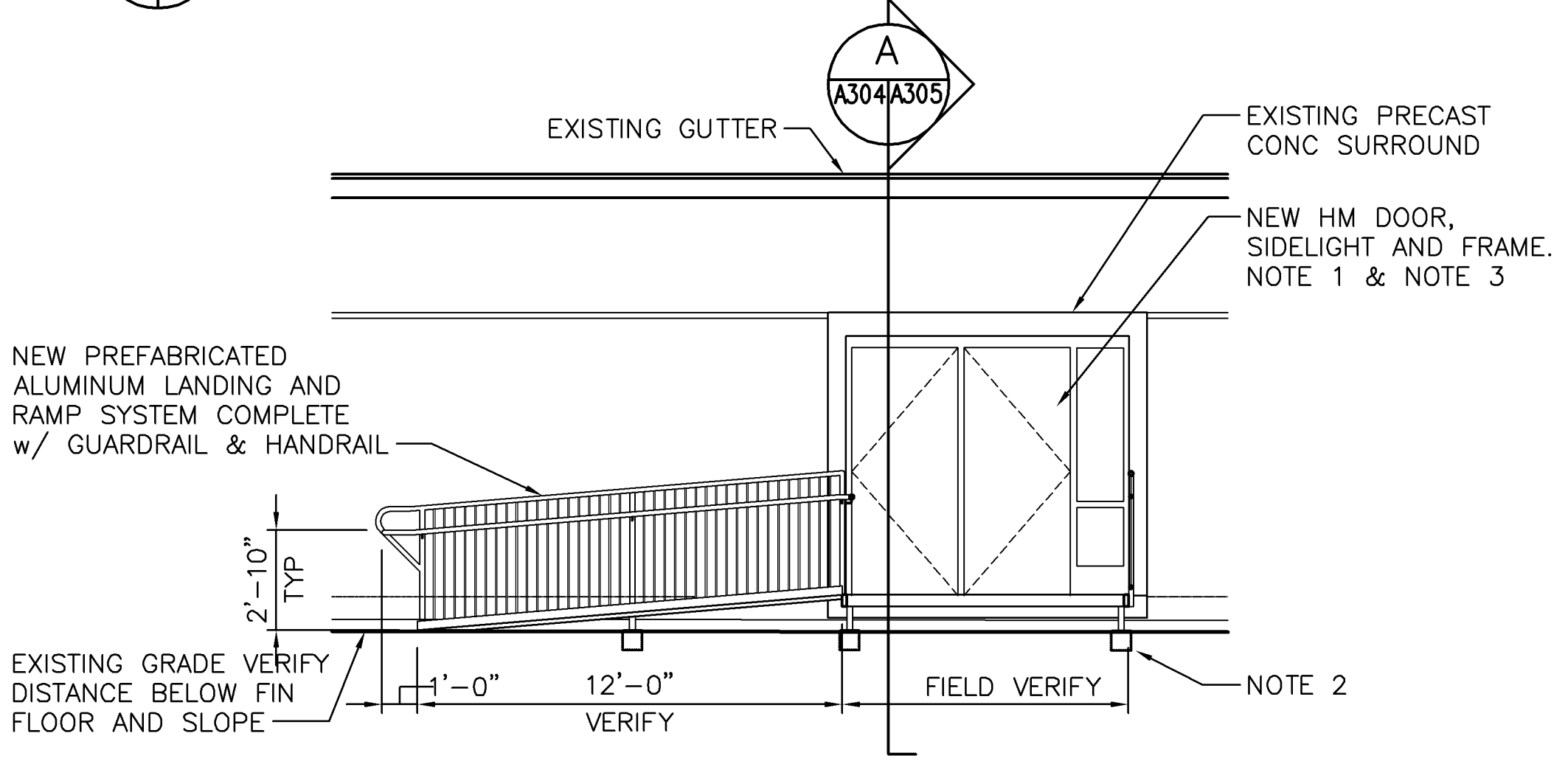
**B** JAMB @ TEMP EGRESS DOOR  
 A303/A304 SCALE: 3' = 1'-0"



**A** SILL @ TEMP EGRESS DOOR  
 A303/A304 SCALE: 3' = 1'-0"

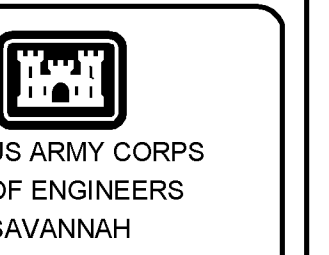
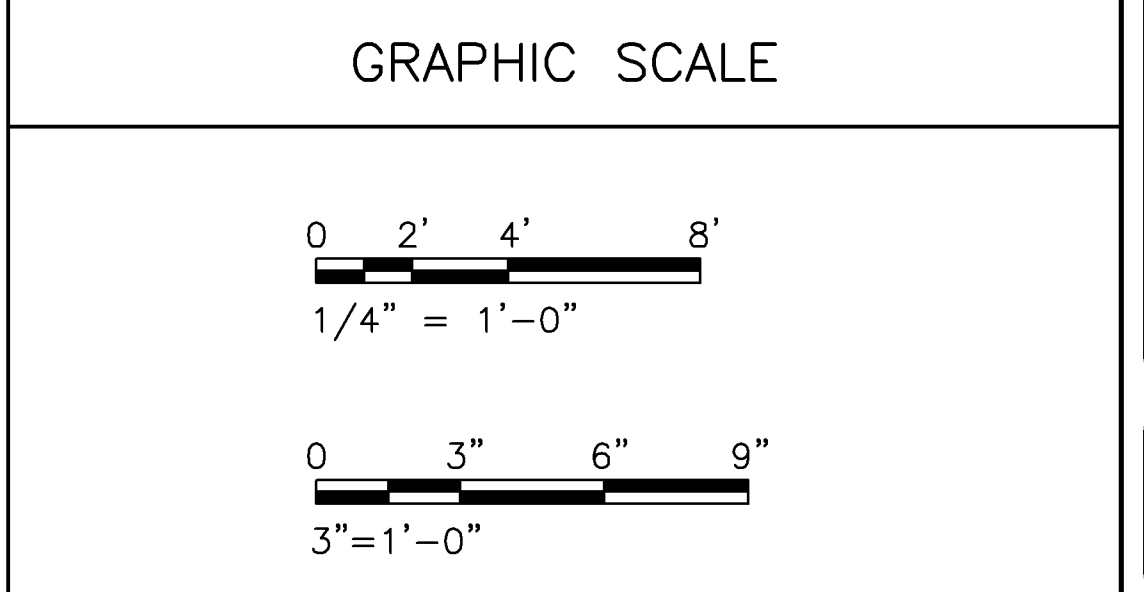


**D** TEMP EXIT RAMP/LANDING ELEVATION  
 A303/A304 SCALE: 1/4" = 1'-0"



**C** TEMP EXIT RAMP/LANDING SECTION  
 A303/A304 SCALE: 1/4" = 1'-0"

- ### KEYED NOTES
- DOORS, WINDOW, FRAME, GLAZING, AND ANCHORAGE TO BE BLAST RESISTANT.
  - NEW FOOTING BY PREFABRICATED ALUMINUM LANDING AND RAMP SYSTEM INSTALLER AS DESIGNED BY SYSTEM MANUFACTURER.
  - HM DOOR & FRAME TO BE REMOVED UPON COMPLETION OF ADDITION. NEW ALUMINUM WINDOW TO BE INSTALLED IN EXISTING OPENING.
  - PROVIDE SLIP RESISTANT SURFACE. ANCHOR TO EXISTING FOUNDATION WALL & LAP OVER RAMP LANDING. SLOPE TO SHED WATER.
  - INSTALL MORTAR ON TOP OF EXPOSED PORTIONS OF EXISTING FOUNDATION WALL. SLOPE TO SHED WATER. REMOVE MORTAR FOR INSTALLATION OF NEW CAST STONE SILL.



SYMBOL	DESCRIPTION	DATE	BY

DESIGNED BY: SCD	DATE: 25 JAN 2010	SUBMITTED BY: SCD	CONTRACT NO.:	PILOT DATE:
DRAWN BY: SCD/ADA	SOLICITATION NO.:	CHKD BY: SCD	7912HN-09-R-0018	
FILE NAME: 	CATEGORY CODE: 79B-46-01	PILOT SCALE: 34:22		
U. S. ARMY ENGINEER DISTRICT CORPS OF ENGINEERS SAVANNAH DISTRICT	LS3P ASSOCIATES LTD. 205 1/2 KING STREET CHARLESTON, SC, 29401			

ALBRITTON JUNIOR HIGH SCHOOL ADDITION  
 FT BRAAG NORTH CAROLINA  
**CONSTRUCTION EGRESS  
 DETAILS**

PLATE  
 REFERENCE  
 NUMBER  
**A-304**  
 SHEET 50