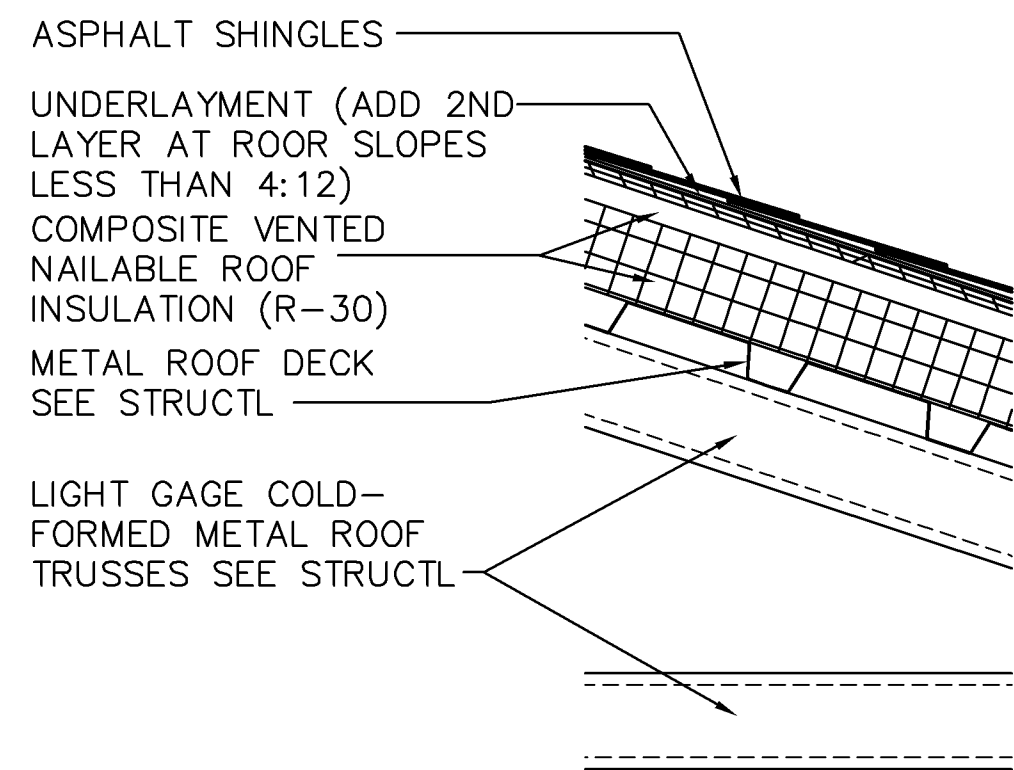
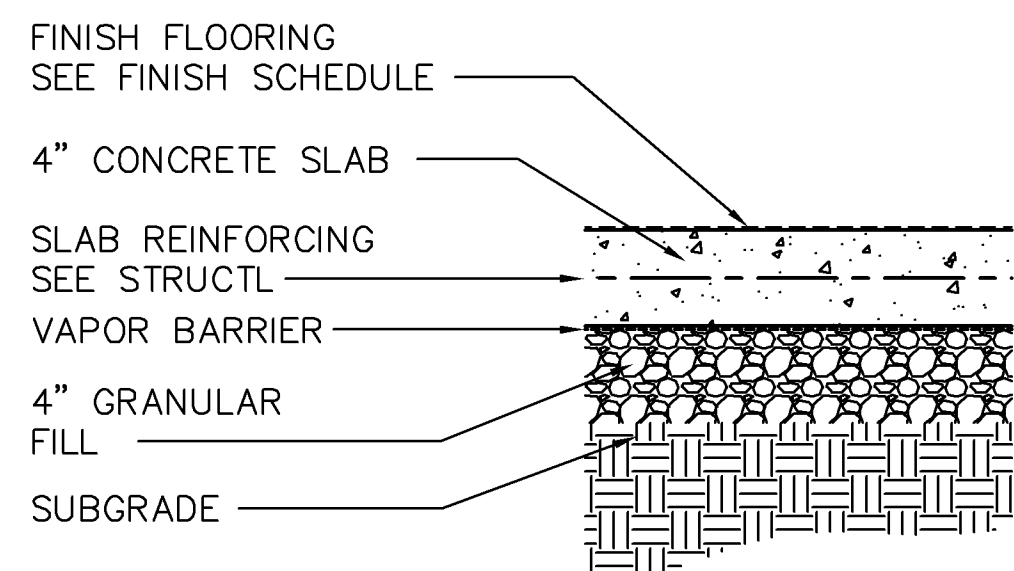


1
ROOF SYSTEMS

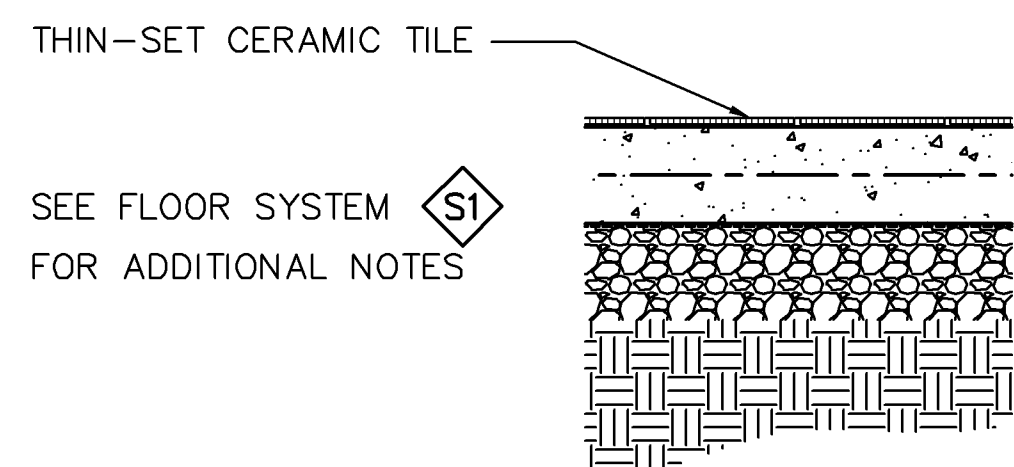


R1 TYPICAL SLOPED ROOF

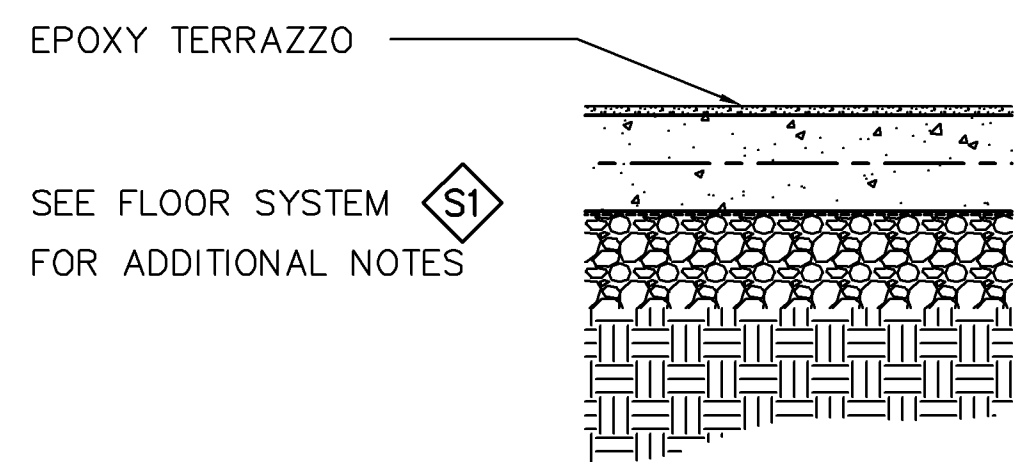
FLOOR SYSTEMS



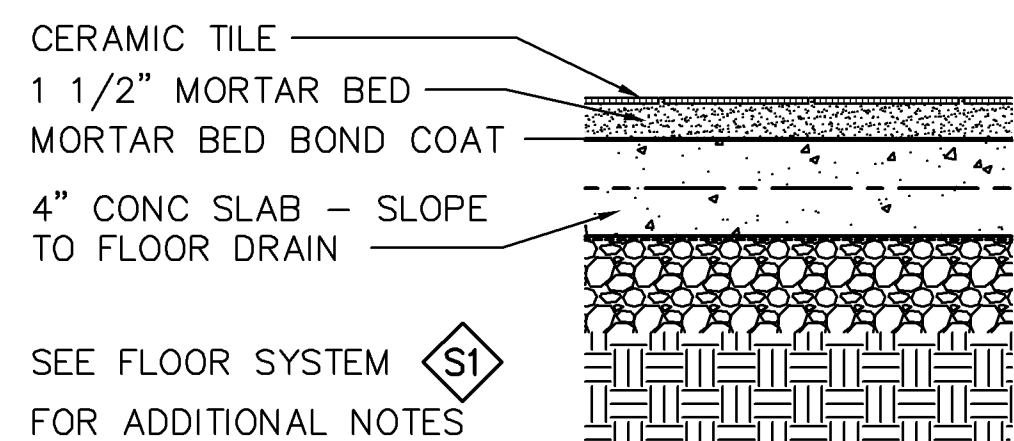
S1 TYPICAL SLAB ON GRADE



S2 SLAB ON GRADE-CERAMIC TILE FINISH

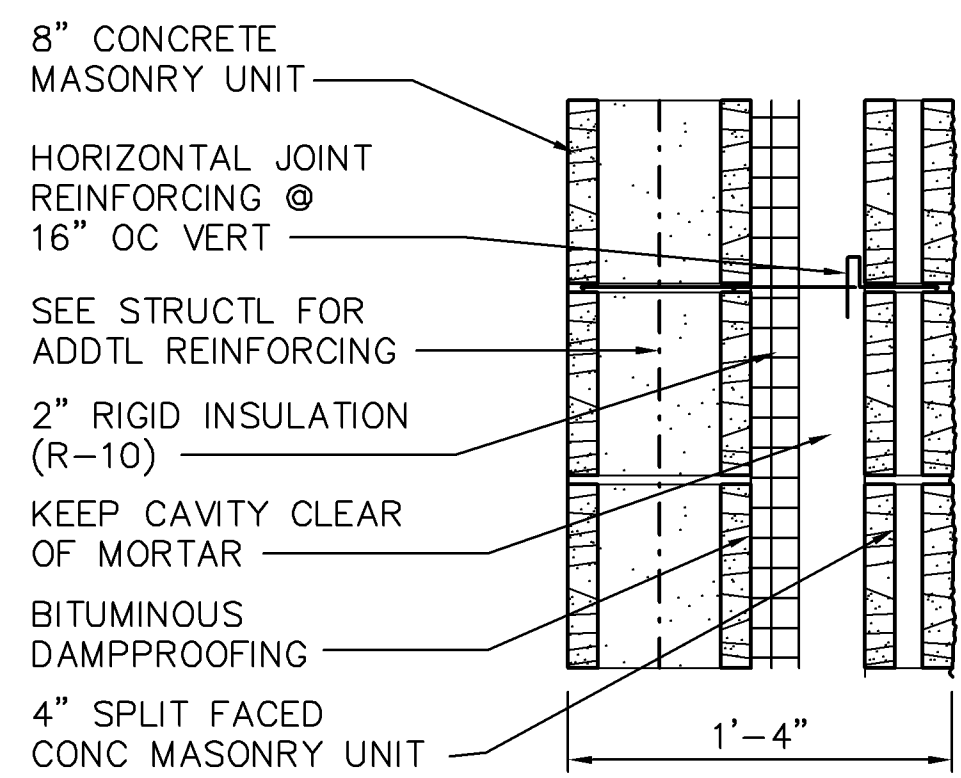


S3 SLAB ON GRADE-TERRAZZO FINISH

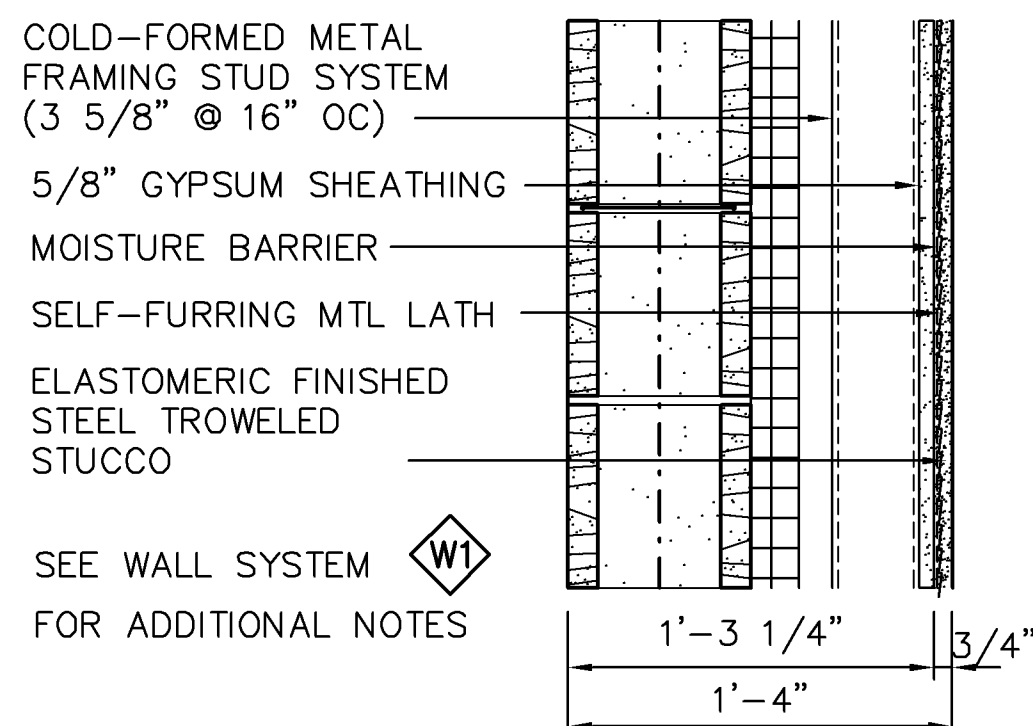


S4 SLAB ON GRADE-CERAMIC TILE FINISH

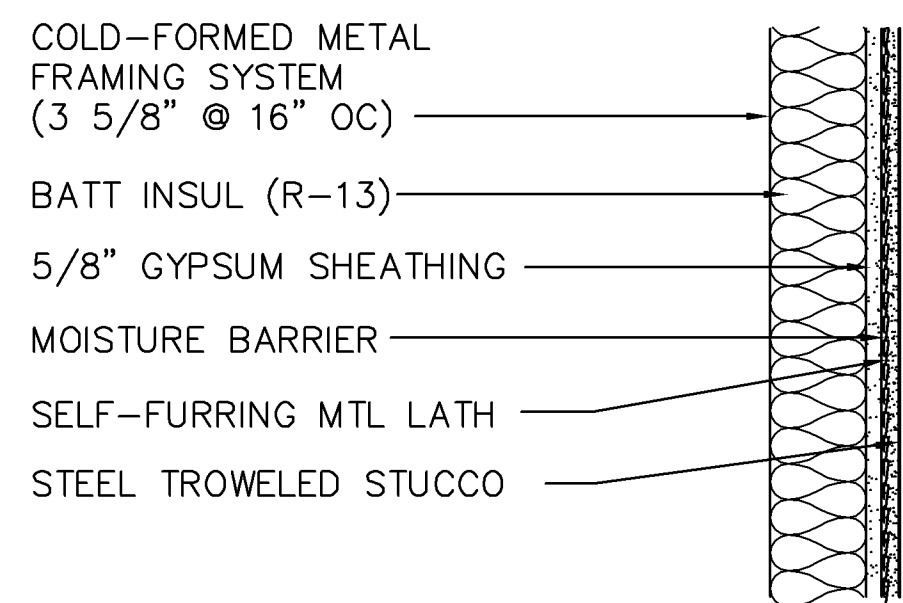
2
EXTERIOR WALL SYSTEMS



W1 TYPICAL CAVITY WALL
FOR LOCATION SHOWN IN BOYS ROOM ON A-002 USE UL# U904 FOR RATED CMU. PROVIDE FIRE SEALANT @ ALL PENETRATIONS

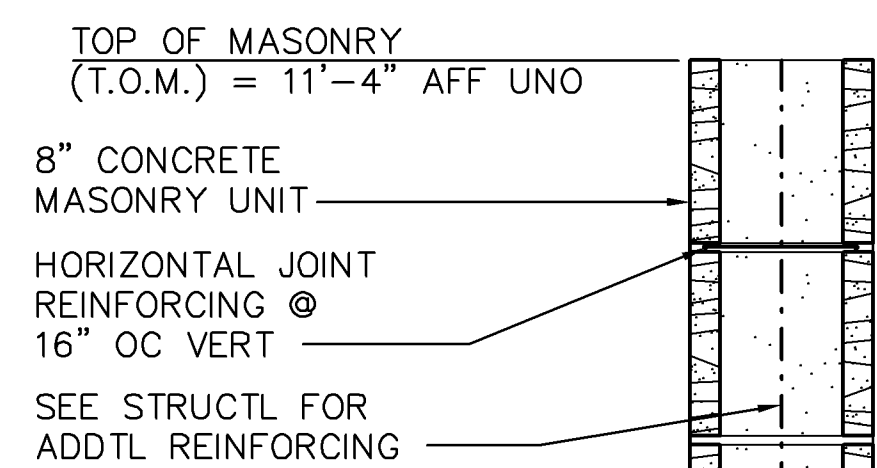


W2 STUCCO FINISHED CAVITY WALL
FOR LOCATION SHOWN IN BOYS ROOM ON A-002 USE UL# U904 FOR RATED CMU. PROVIDE FIRE SEALANT @ ALL PENETRATIONS



W3 STUCCO FINISHED METAL STUD WALL

3
PARTITION TYPES

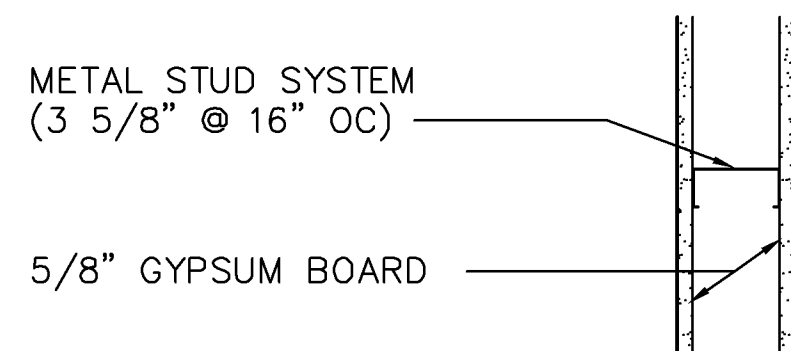


1 TYPICAL PARTITION - UNRATED (STC 45)

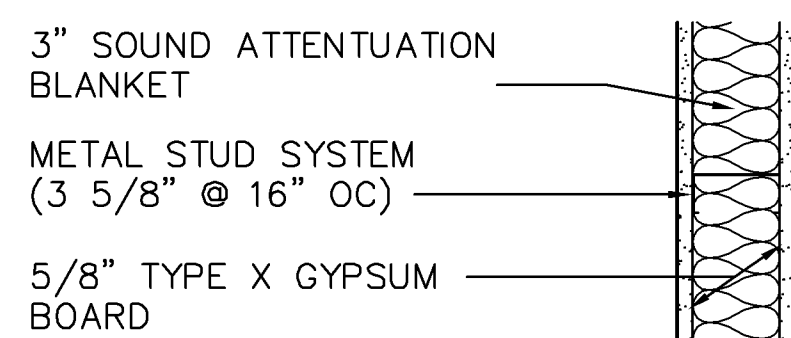
1A 1 HR RATED PARTITION (IBC, CHAPTER 7) (STC 45)
SAME AS PARTITION TYPE **1** EXCEPT: PROVIDE FIRE SEALANT @ ALL PENETRATIONS

1B 3 HR RATED PARTITION (UL NO U904)
SAME AS PARTITION TYPE **1** EXCEPT: PROVIDE UL RATED CONCRETE MASONRY & PROVIDE FIRE SEALANT @ ALL PENETRATIONS

2 UNRATED PARTITION
SAME AS PARTITION TYPE **1** EXCEPT: PROVIDE 4\"/>

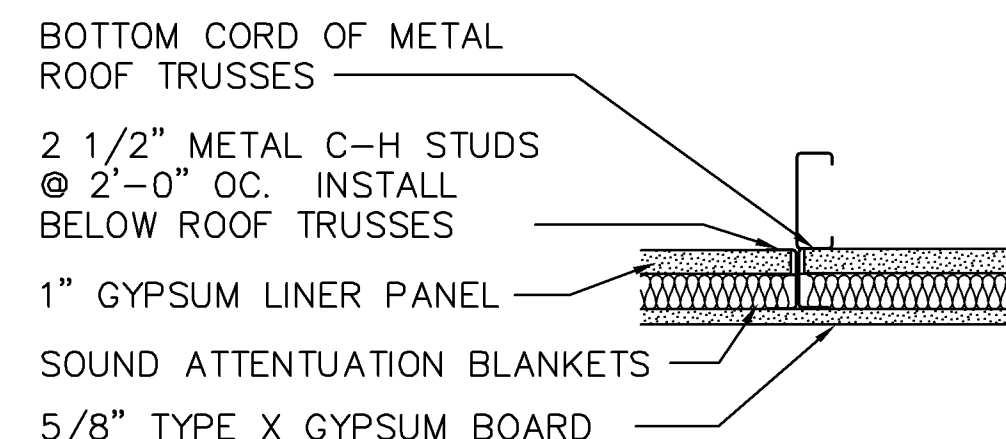


3 UNRATED PARTITION

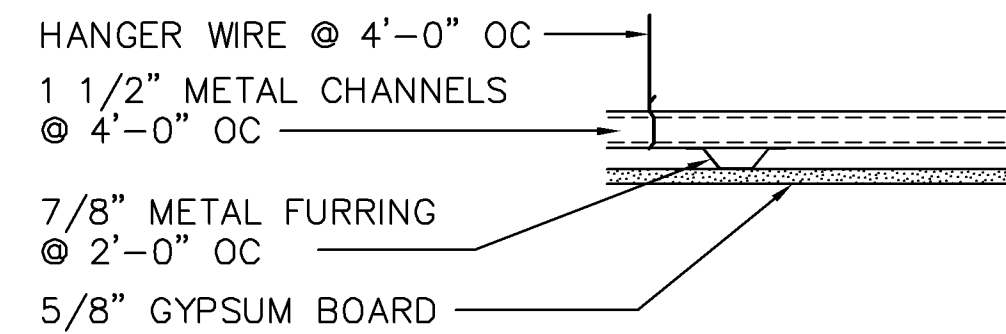


3A 1 HR RATED PARTITION (UL NO U465) (STC 45)

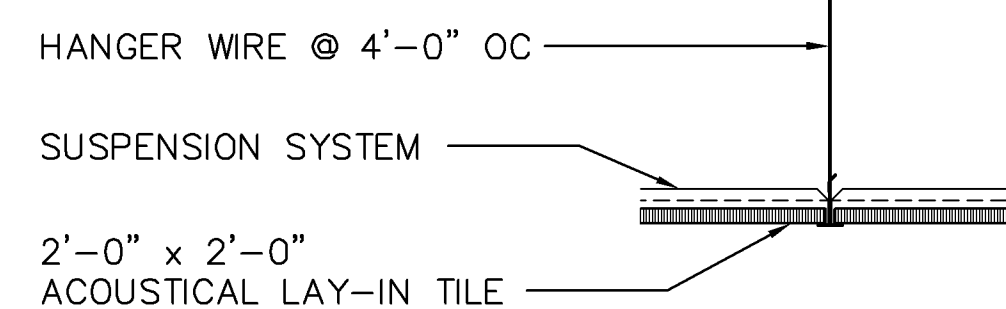
4
CEILING SYSTEMS



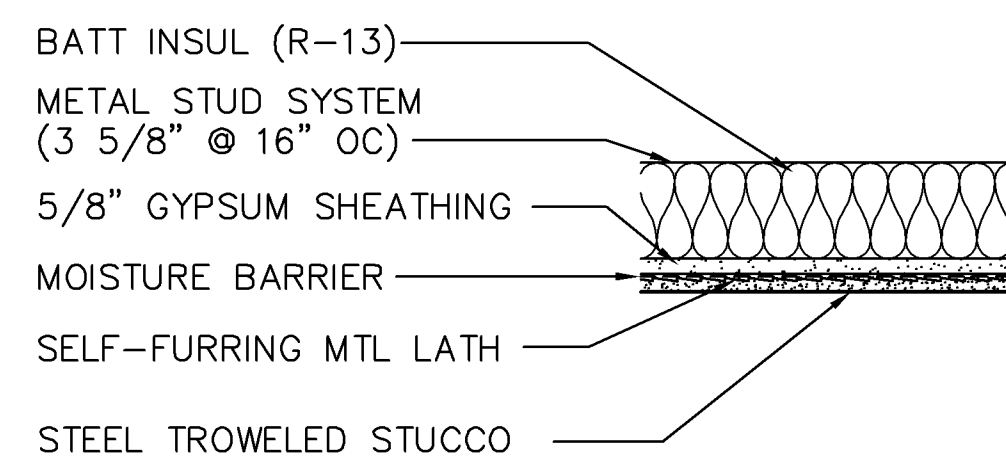
C1 1 HR RATED SUB-CEILING (UL NO U415) (STC 45)



C2 SUSPENDED GYPSUM BOARD CEILING



C3 SUSPENDED ACOUSTICAL CEILING



C4 STUCCO FINISHED MTL STUD SOFFIT

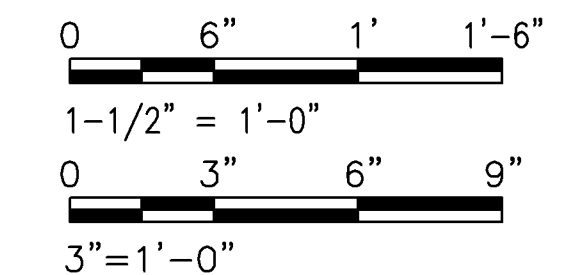
5
GENERAL NOTES

- A. THE CONSTRUCTION SUBSYSTEMS AND PARTITION TYPES SHOWN ON THIS SHEET INDICATE THE FEATURES OF THE MORE FREQUENTLY USED SYSTEMS TO BE PROVIDED. OTHER ATYPICAL SYSTEMS ARE DETAILED IN THE DRAWINGS.
- B. SEE STRUCTURAL DRAWINGS FOR ADDITIONAL REQUIREMENTS.
- C. SEE FINISH SCHEDULE & ENLARGED FLOOR PLANS FOR LOCATION OF APPLIED FINISHES WHICH MAY AFFECT THE SURFACE PREPARATION REQUIREMENTS OF CONSTRUCTION SUBSYSTEM AND PARTITION TYPE COMPONENTS.
- D. REFERENCES: UL - UNDERWRITERS LABORATORIES FIRE RESISTANCE DIRECTORY, 2003 IBC - INTERNATIONAL BUILDING CODE, 2003 E.

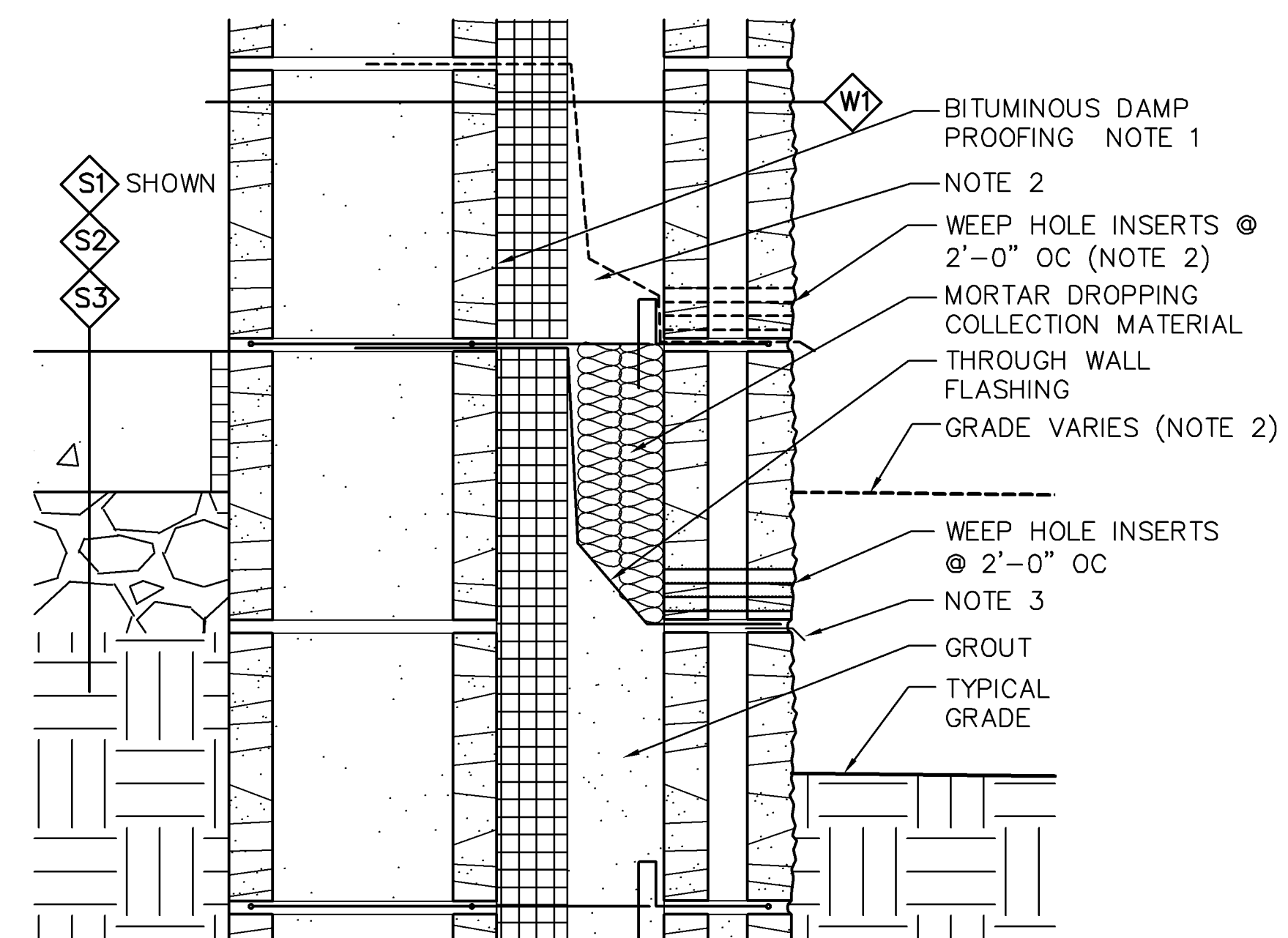
KEYED NOTES

- 1. LAP 6" MIN OVER THROUGH WALL FLASHING.
- 2. DASHED LINES INDICATE ALTERNATE LOCATION OF THROUGH WALL FLASHING WHEN FINISH GRADE IS LESS THAN 8" BELOW FINISH FLOOR SLAB.
- 3. EXTEND FLASHING 1" MIN BEYOND FACE OF MASONRY. TRIM FLUSH WITH FACE OF WALL AFTER VERIFICATION BY GOV'T REPRESENTATIVE.

GRAPHIC SCALE



FLASHING SYSTEMS



F1 THROUGH WALL FLASHING



DESIGNED BY:	DATE:	23 JAN 2010
DRAWN BY:	SCALE:	AS SHOWN
CHECKED BY:	PROJECT NO.:	163P-09-R-0018
APPROVED BY:	CONTRACT NO.:	
FILE NAME:	CATEGORY CODE:	730-46-01
SIZE:	PLOT DATE:	
3x4x22		

DESIGNED BY:	DATE:	23 JAN 2010
DRAWN BY:	SCALE:	AS SHOWN
CHECKED BY:	PROJECT NO.:	163P-09-R-0018
APPROVED BY:	CONTRACT NO.:	
FILE NAME:	CATEGORY CODE:	730-46-01
SIZE:	PLOT DATE:	
3x4x22		

U.S. ARMY ENGINEER DISTRICT
CORPS OF ENGINEERS
SAVANNAH DISTRICT
LS3P ASSOCIATES LTD.
2054 KING STREET
CHARLESTON, SC 29401

ALBRITTON JUNIOR HIGH SCHOOL ADDITION
FT BRAGG NORTH CAROLINA
**CONST SUBSYSTEMS
& PARTITION TYPES**

PLATE REFERENCE NUMBER
A-001
SHEET 37