

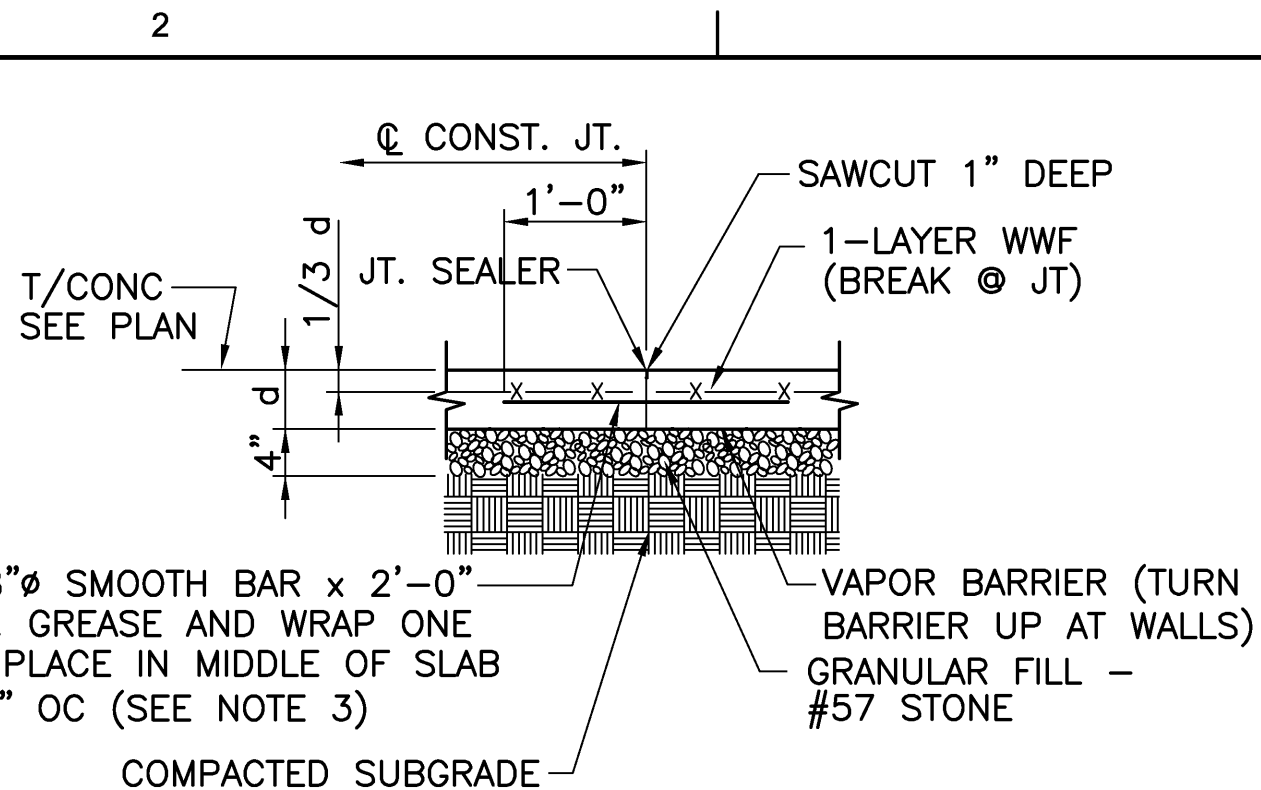
TYPICAL CONTROL JT. = C.T.J.

NOTE:

1. d = SLAB THICKNESS (SEE PLAN)
2. FOR SLABS WITH DEFORMED BAR REINF. STOP 2/3 OF BARS 1" BACK FROM EA. SIDE OF JOINT.
3. SAWCUT 1/3 SLAB THICKNESS AS SOON AS CONCRETE WILL SUPPORT EQUIPMENT AND NOT MORE THAN (3) HOURS AFTER PLACEMENT.

CONTROL JOINT DETAIL

SCALE: NONE



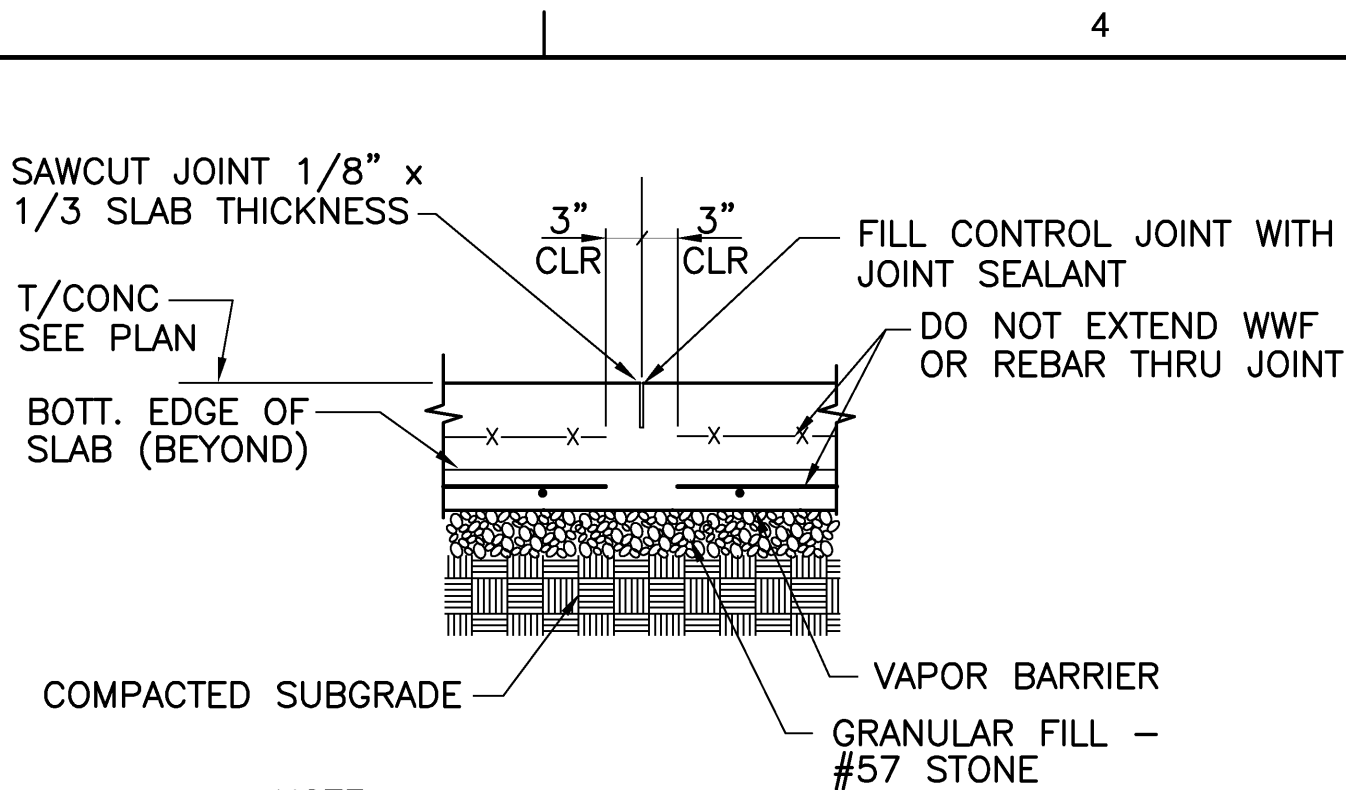
TYPICAL CONSTRUCTION JT. = C.J.

NOTE:

1. d = SLAB THICKNESS (SEE PLAN)
2. FOR SLABS WITH DEFORMED BAR REINF. STOP 2/3 OF BARS 1" BACK FROM EA. SIDE OF JOINT.
3. DOWEL MAY BE REPLACED WITH 3/4" x 2" KEYWAY IN SLABS THAT ARE FOR OFFICES OR THAT WILL ONLY EXPERIENCE FOOT TRAFFIC.

CONSTRUCTION JOINT DETAIL

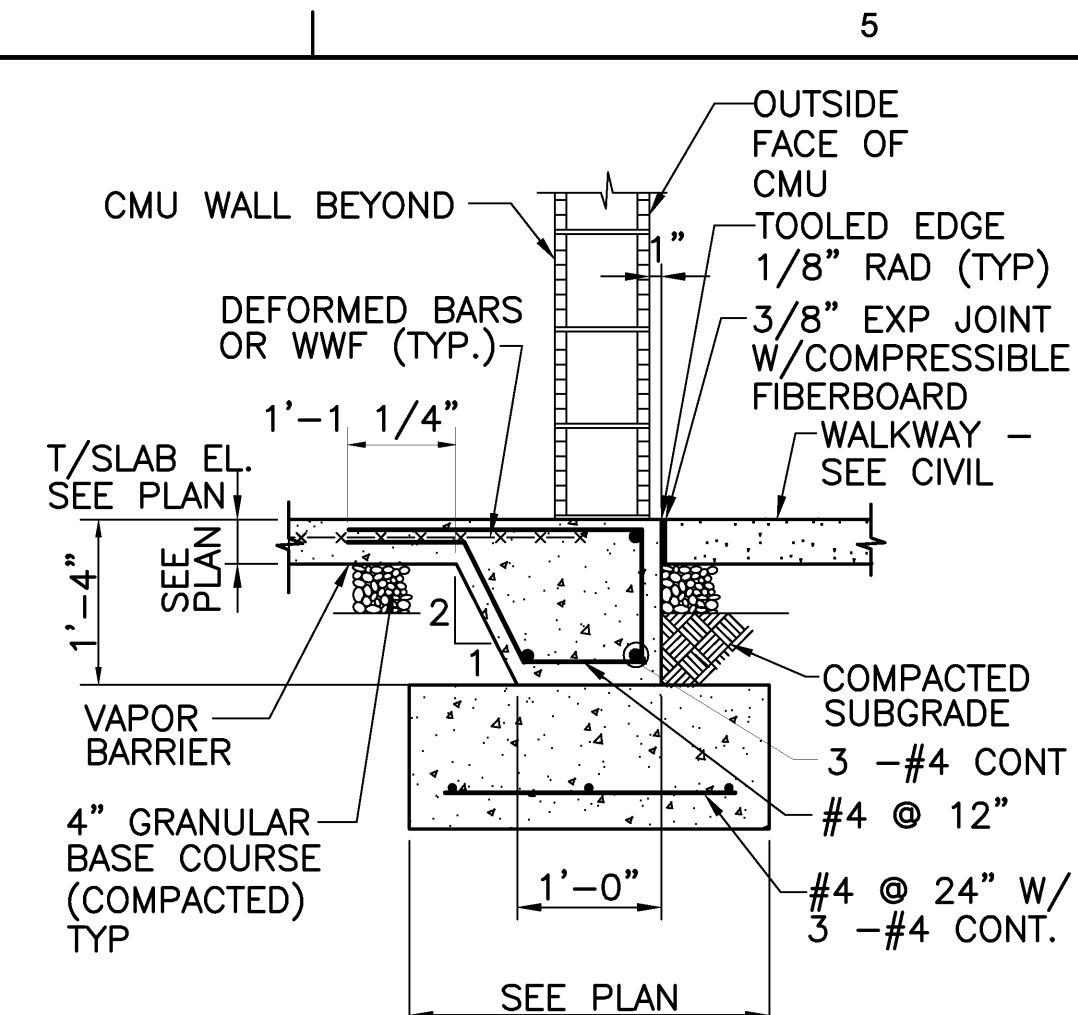
SCALE: NONE



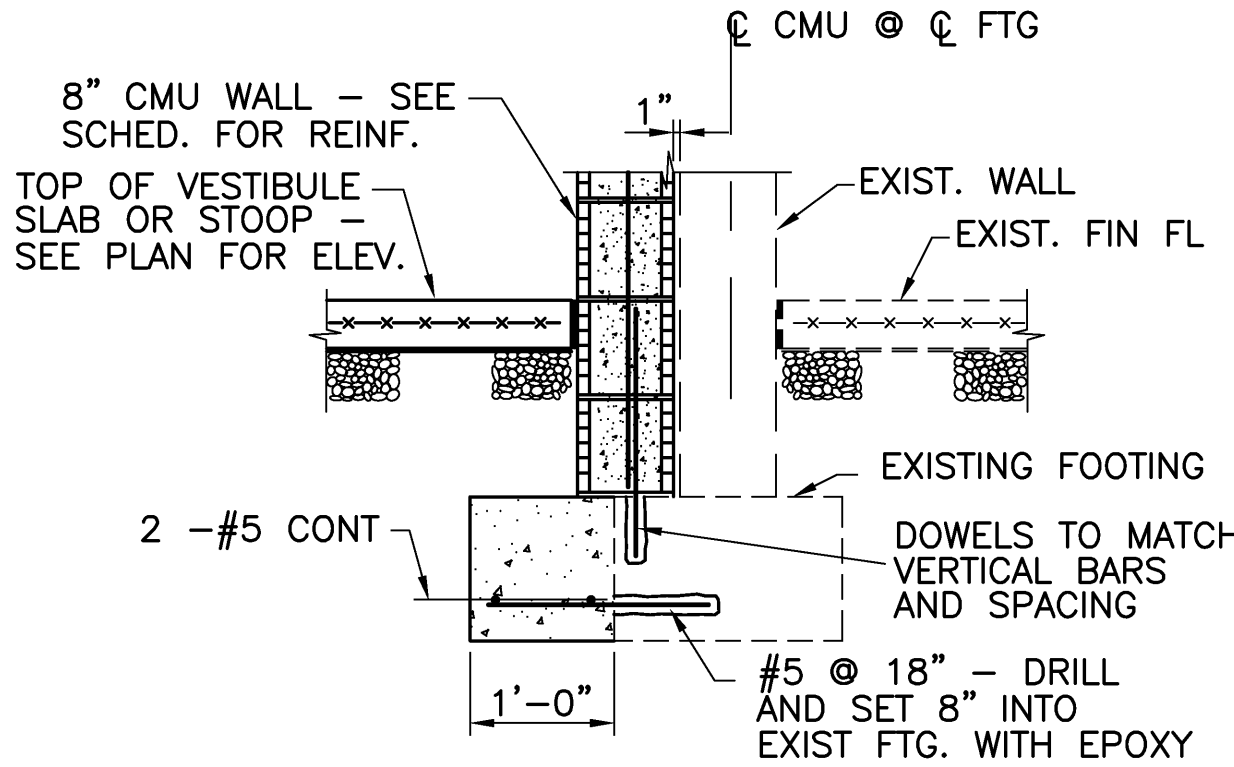
- NOTE:**
1. SAWCUT 1/3 SLAB THICKNESS AS SOON AS CONCRETE WILL SUPPORT EQUIPMENT AND NOT MORE THAN (3) HOURS AFTER PLACEMENT.

CONTROL JOINT DETAIL AT THICKENED SLAB

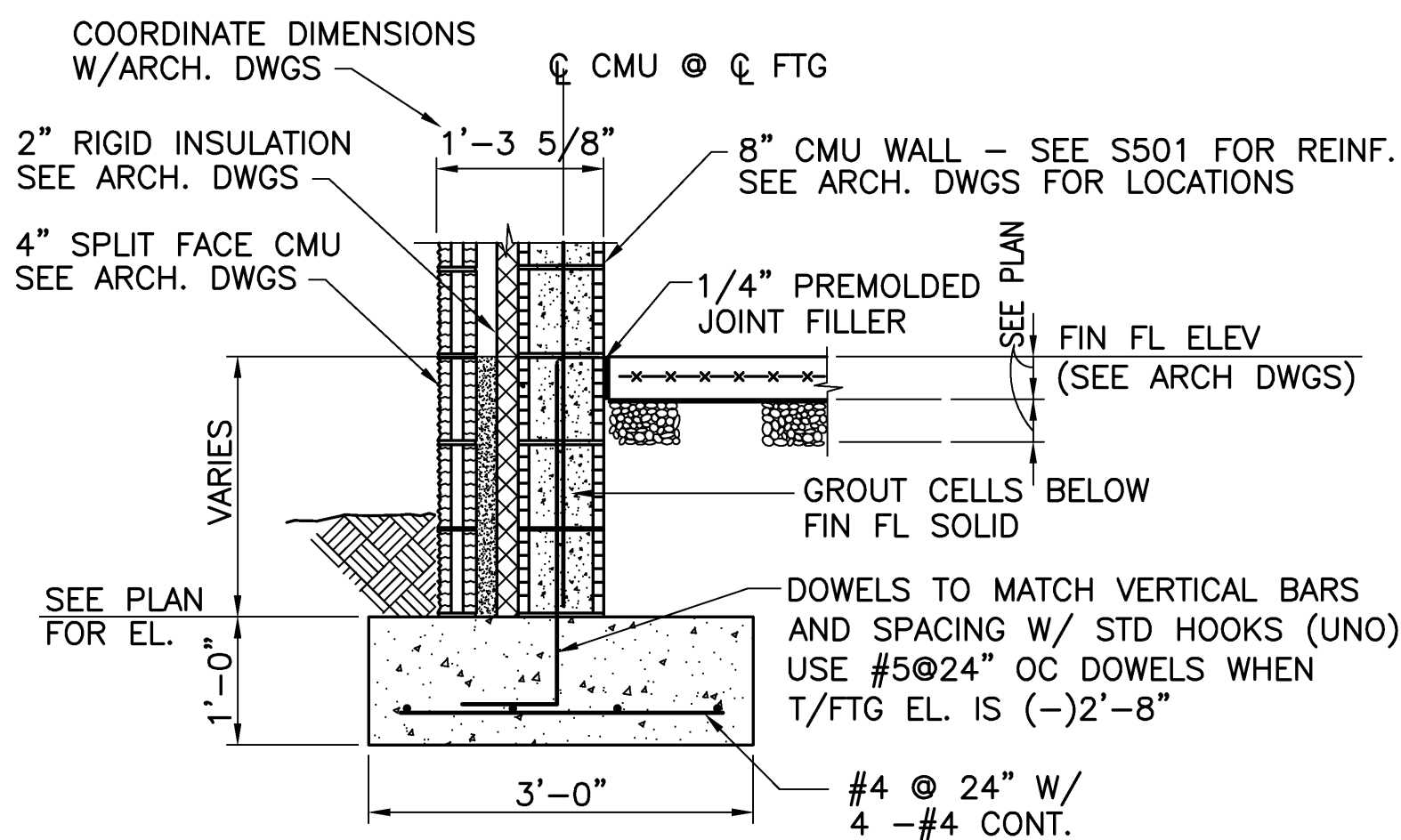
SCALE: NONE



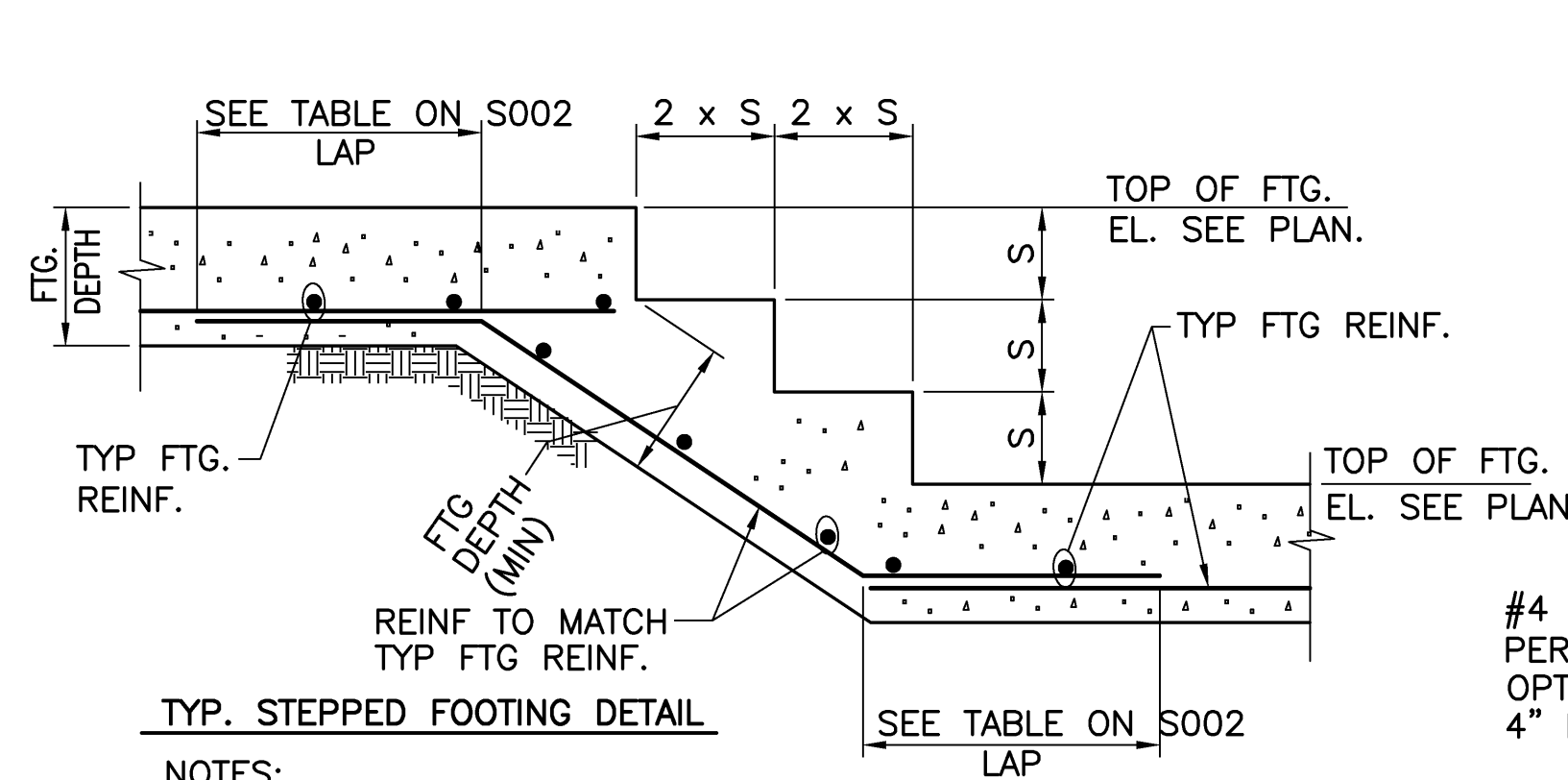
2 SECTION
S101S301 SCALE: NONE



3 SECTION
S101S301 SCALE: NONE



4 SECTION
S101S301 SCALE: NONE

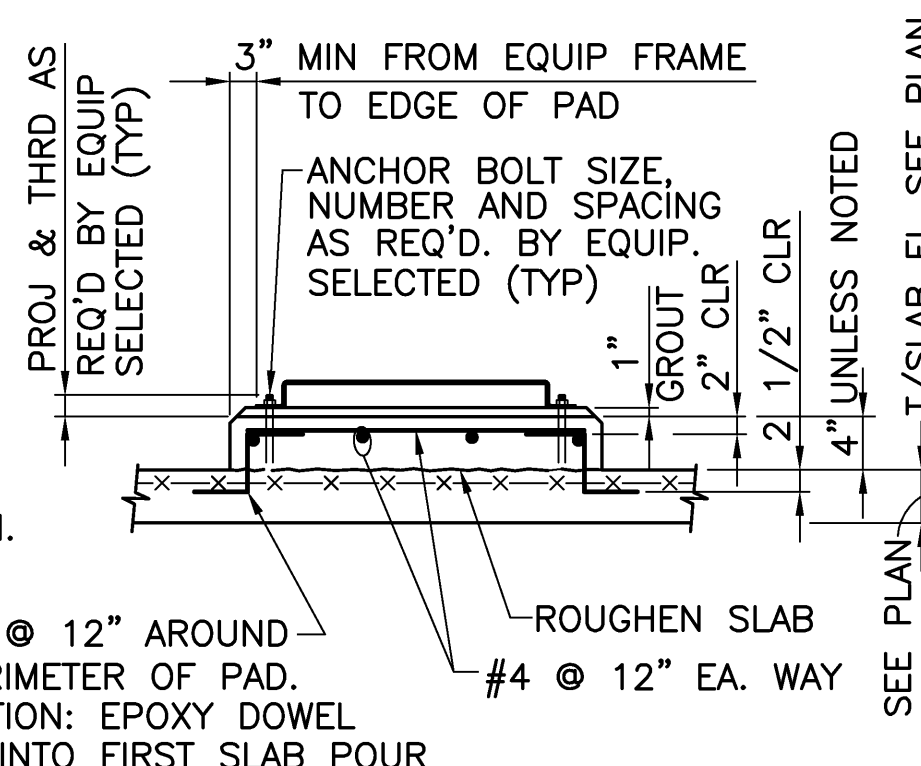


TYP. STEPPED FOOTING DETAIL

NOTES:

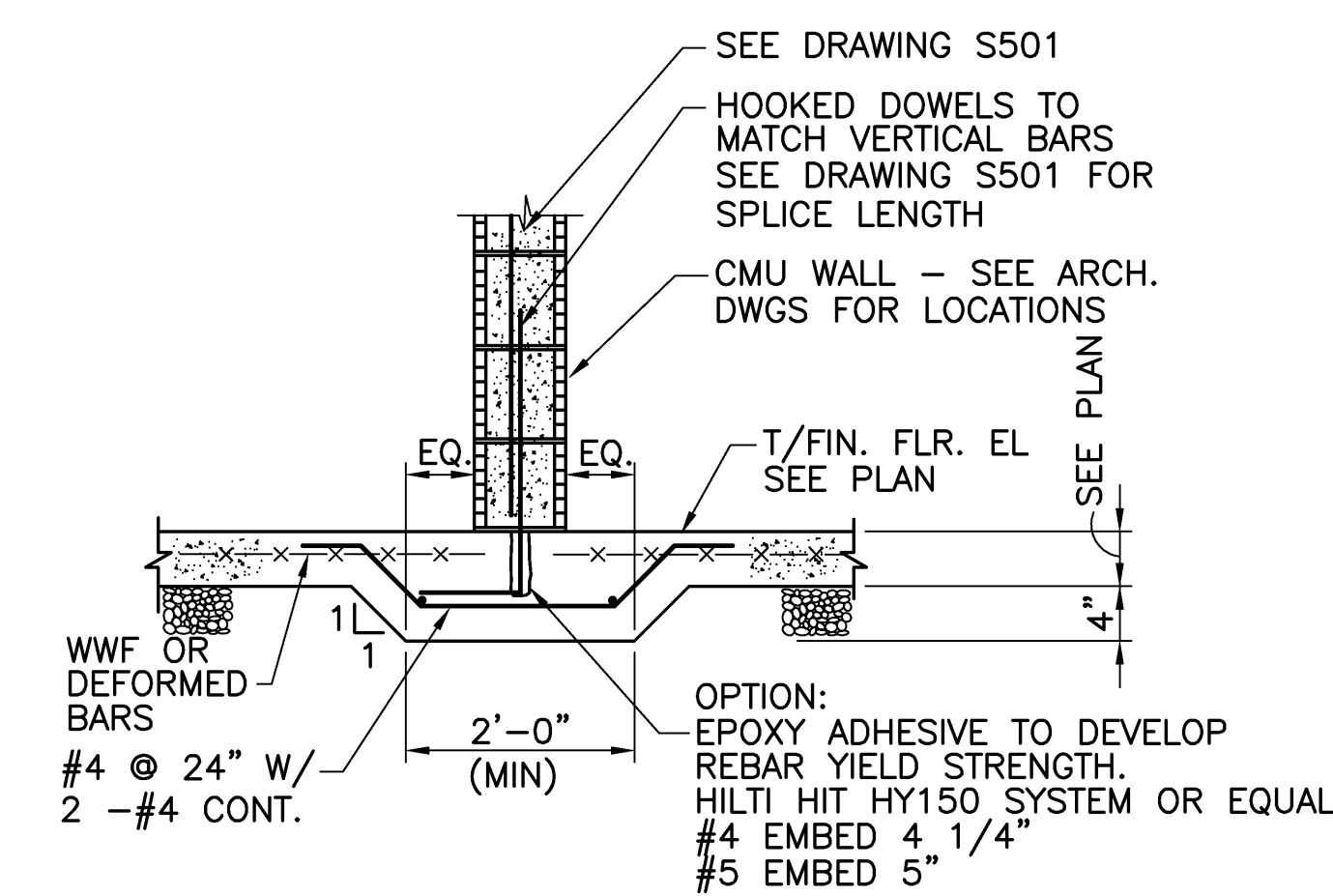
- 1) S MAX = 24"
- 2) REINFORCING NOT SHOWN FOR CONCRETE AND CMU WALL. SEE TYP. DETAILS.

5 DETAIL
S101S301 SCALE: NONE

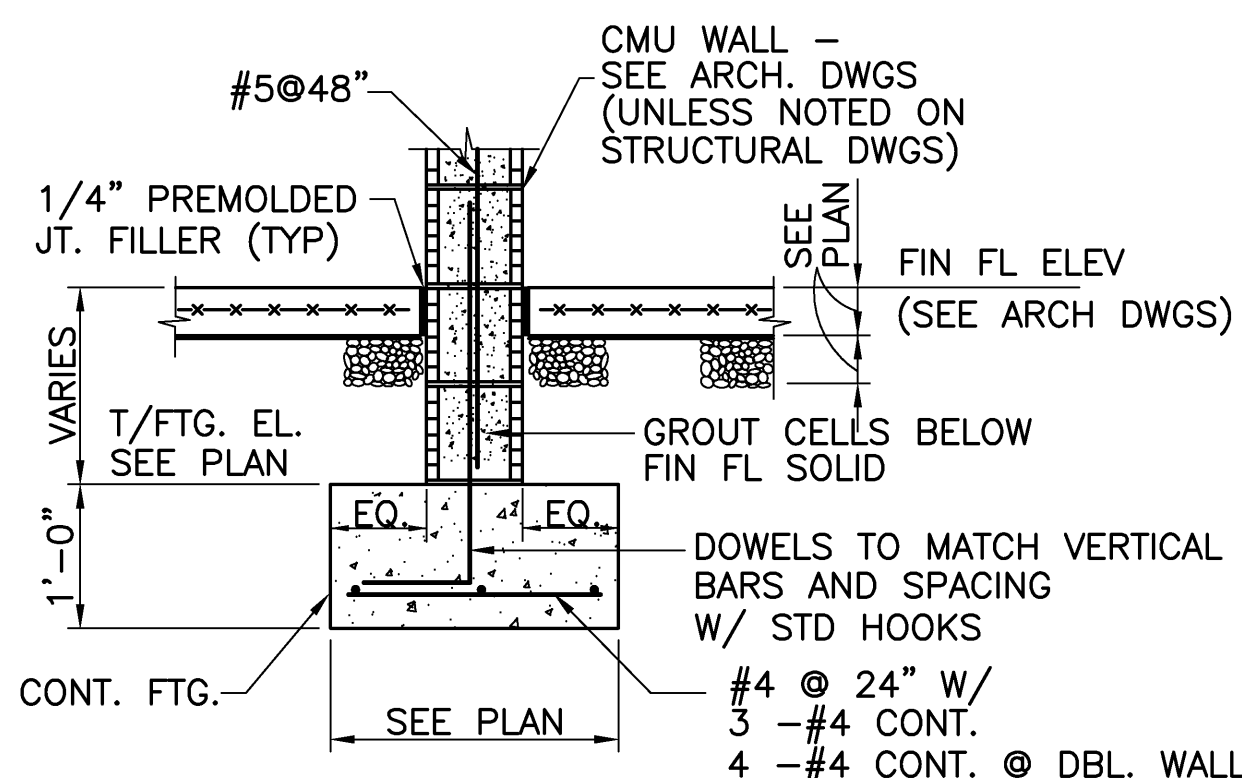


NOTE: PROVIDE 3/4" CHAMFER AT ALL EXPOSED EDGES.

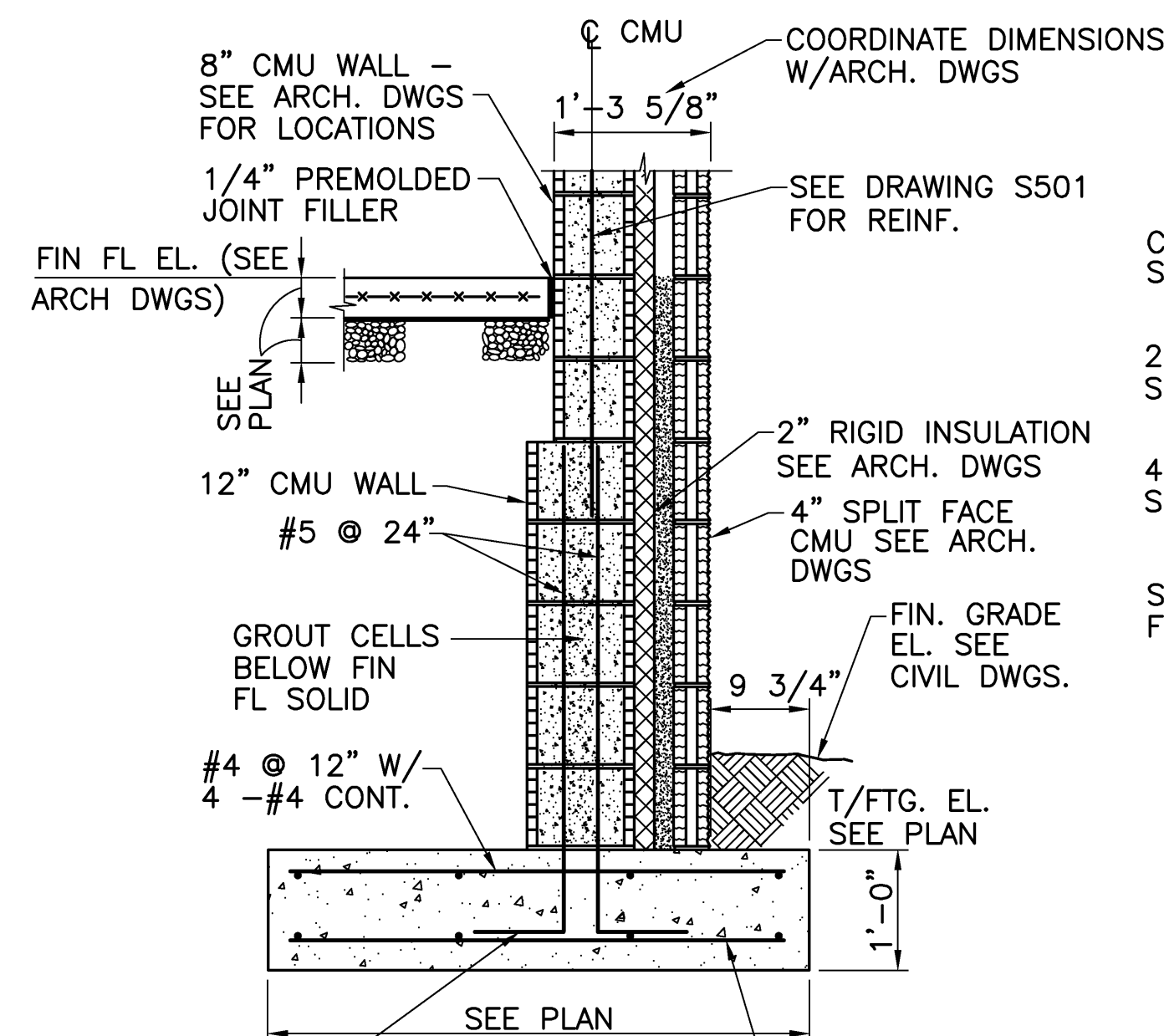
6 SECTION
S101S301 SCALE: NONE



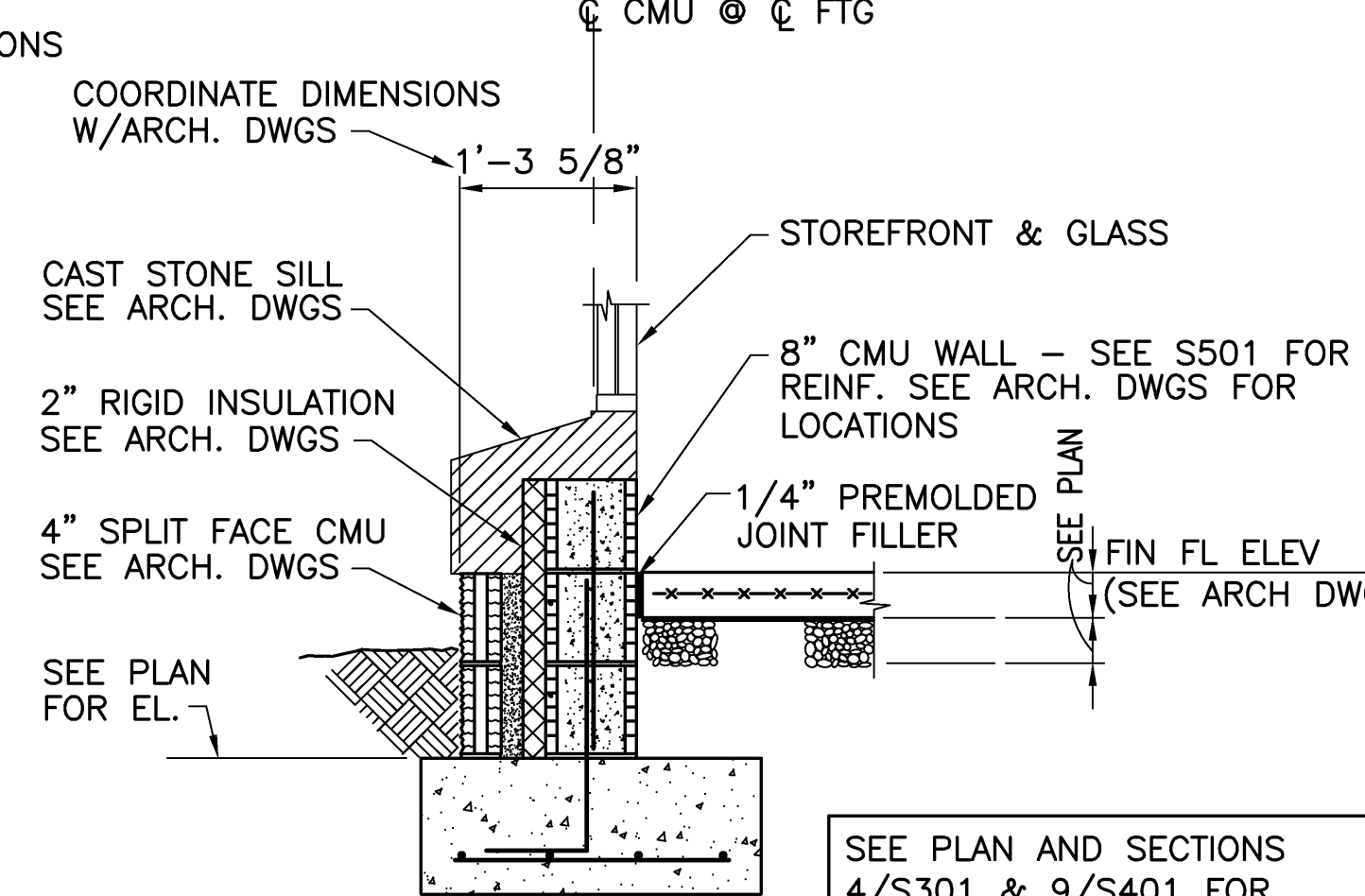
7 SECTION
S101S301 SCALE: NONE



8 SECTION
S101S301 SCALE: NONE

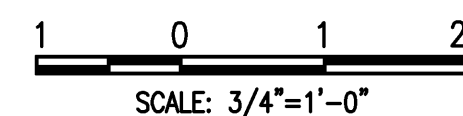


9 SECTION
S101S301 SCALE: NONE



10 SECTION
S101S301 SCALE: NONE

1. TYPICAL THICKENED SLAB AT ALL INTERIOR NON-LOAD BEARING WALLS. SEE ARCH DWGS FOR INTERIOR WALL LOCATIONS



SYMBOL	DESCRIPTION	DATE	BY

DESIGNED BY: KUS	DATE: 25 JAN 2010
DWN BY: KUS	SOLICITATION NO.:
CH / TML	W912HN-09-R-0018
SUBMITTED BY:	CONTRACT NO.:
FILE NAME:	CATEGORY CODE:
SIZE:	730-44-01
34x22	PLOT DATE:

ALBRIGHT JUNIOR HIGH SCHOOL ADDITION
FT BRAGG NORTH CAROLINA

**STRUCTURAL
DETAILS**

U.S. ARMY ENGINEER DISTRICT
CORPS OF ENGINEERS
SAVANNAH DISTRICT

LSP ASSOCIATES LTD.
205 1/2 KING STREET
CHARLESTON, SC 29401

PLATE
REFERENCE
NUMBER
S-301

SHEET 34