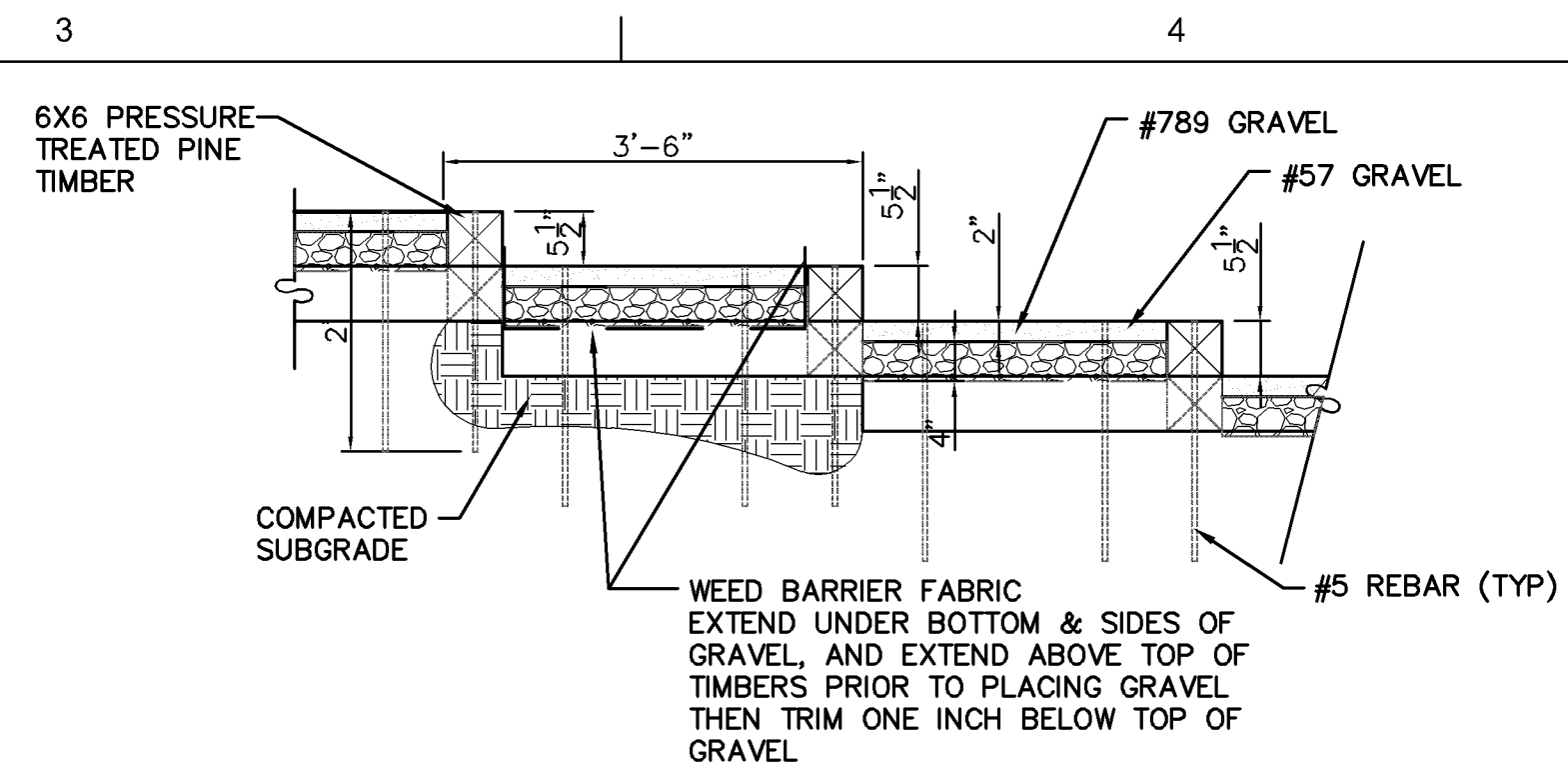
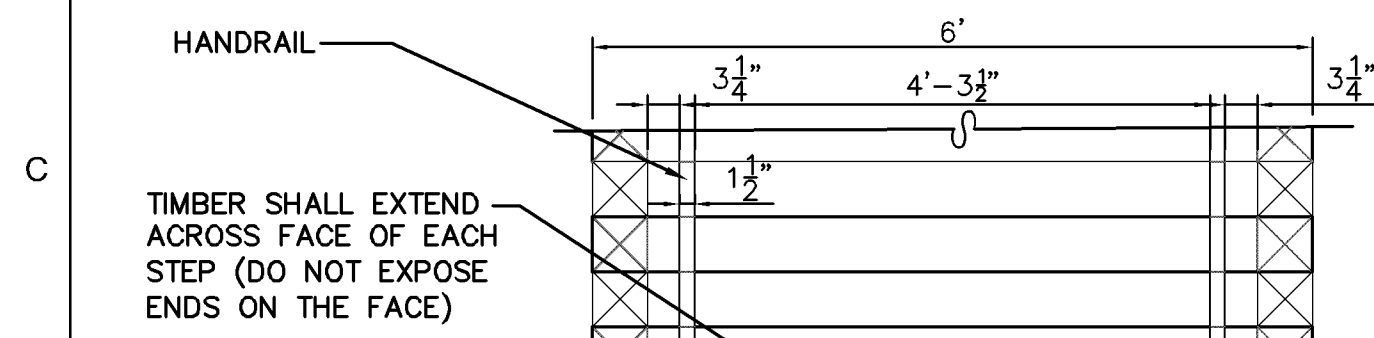


2 SECTION/ELEVATION: HANDRAIL & TIMBER STEPS
NOT TO SCALE

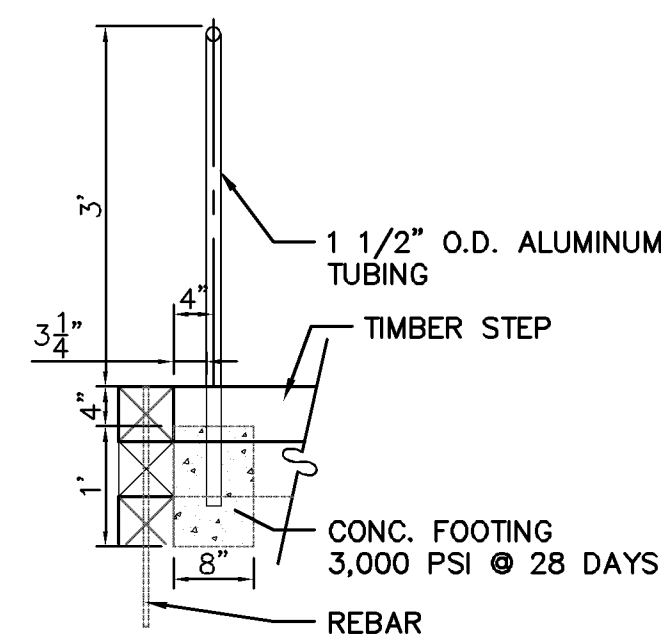


1 SECTION: TIMBER STEPS
NOT TO SCALE

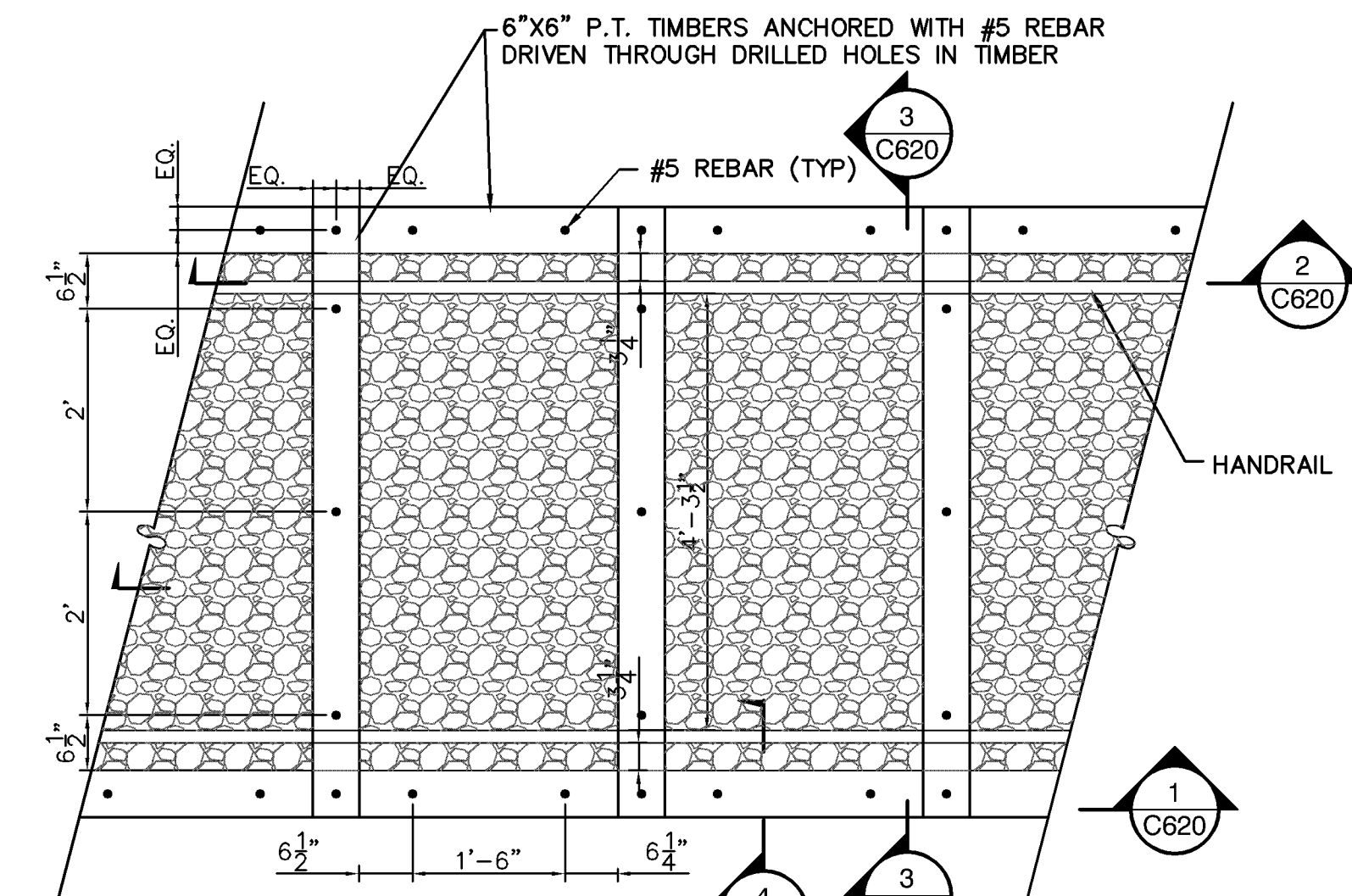
- NOTES:
1. ALL ALUMINUM TUBING FOR HANDRAILS SHALL HAVE BRUSH ALUMINUM FINISH. GRIND ALL WELDS SMOOTH.
 2. ALL WOOD SHALL BE #2 PRESSURE TREATED PINE FOR GROUND CONTACT.
 3. CONTRACTOR SHALL SUBMIT SHOP DRAWINGS WITH LOAD REQUIREMENTS, OF HANDRAILS, PRIOR TO INSTALLATION (VERIFY DIMENSIONS OF STEPS IN FIELDS PRIOR TO CONSTRUCTION OF HANDRAILS).
 4. ALL REBAR SHALL BE CUT TO LENGTH PRIOR TO INSTALLATION.



3 ELEVATION: HANDRAIL & TIMBER STEPS
NOT TO SCALE

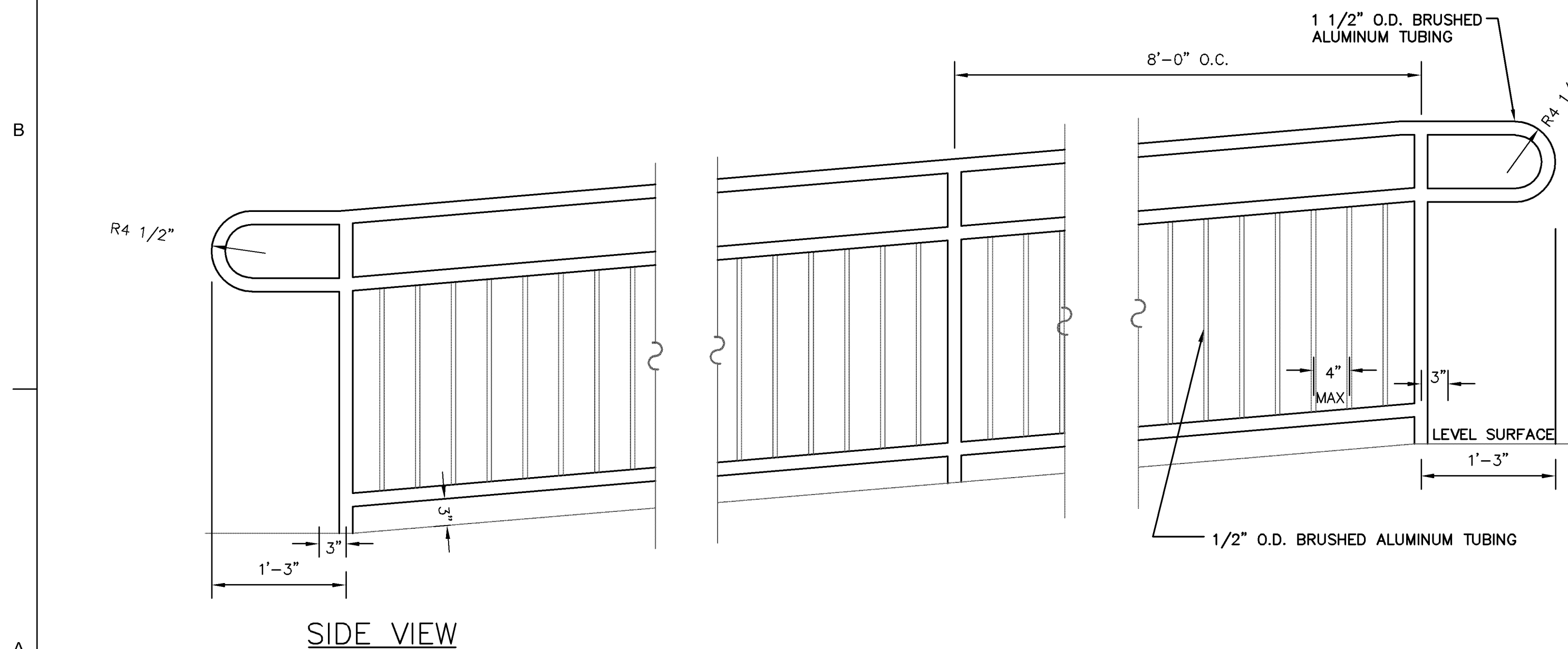


4 SECTION: HANDRAIL & TIMBER STEPS
NOT TO SCALE



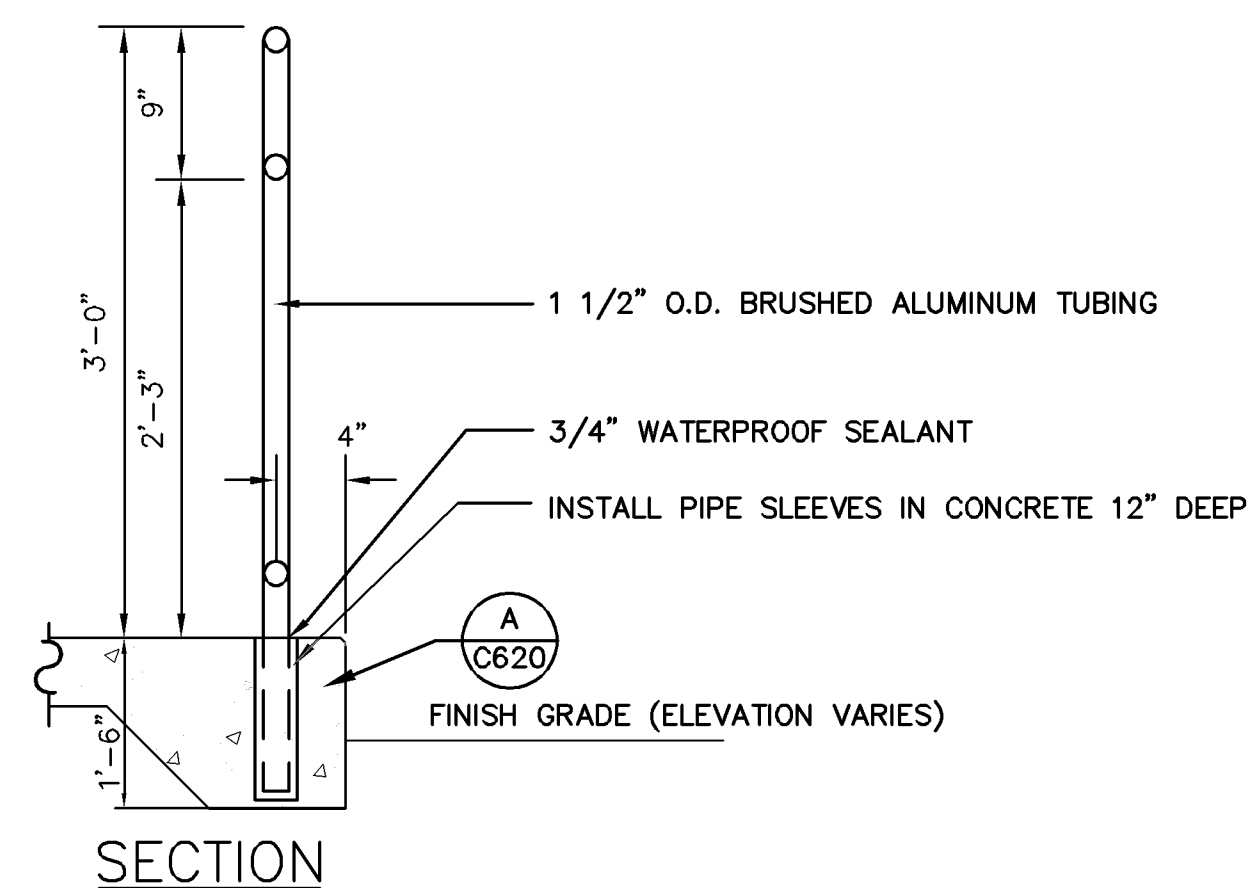
PLAN: TIMBER STEPS

A TIMBER STEPS & HANDRAIL DETAIL
NOT TO SCALE

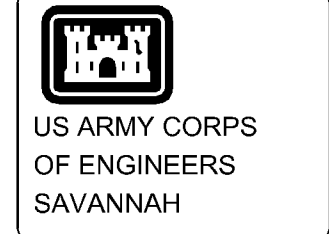
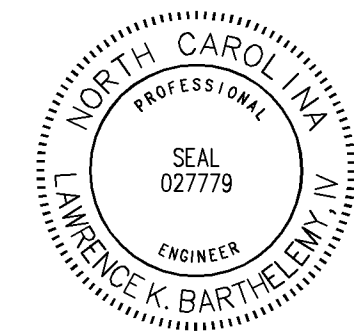


SIDE VIEW

B HANDRAIL DETAIL
NOT TO SCALE



SECTION



NO.	DESCRIPTION	SYMBOL	DATE	BY

DESIGNED BY: JDC	DATE: 25 JUN 2010
DWN BY: LKB	SOLICITATION NO.: W912M-09-R-0018
CRD BY: LKB	CONTRACT NO.:
SUBMITTED BY: LKB	CATEGORY CODE: 730-46-01
FILE NAME: BRHC-620.DWG	PLOT DATE:
SIZE: 34x22	PLOT SCALE: NOT TO SCALE

ALBRITTON JUNIOR HIGH SCHOOL ADDITION
FT BRAGG NORTH CAROLINA

CIVIL DETAILS
SITE

PLATE REFERENCE NUMBER
C-621
SHEET 17