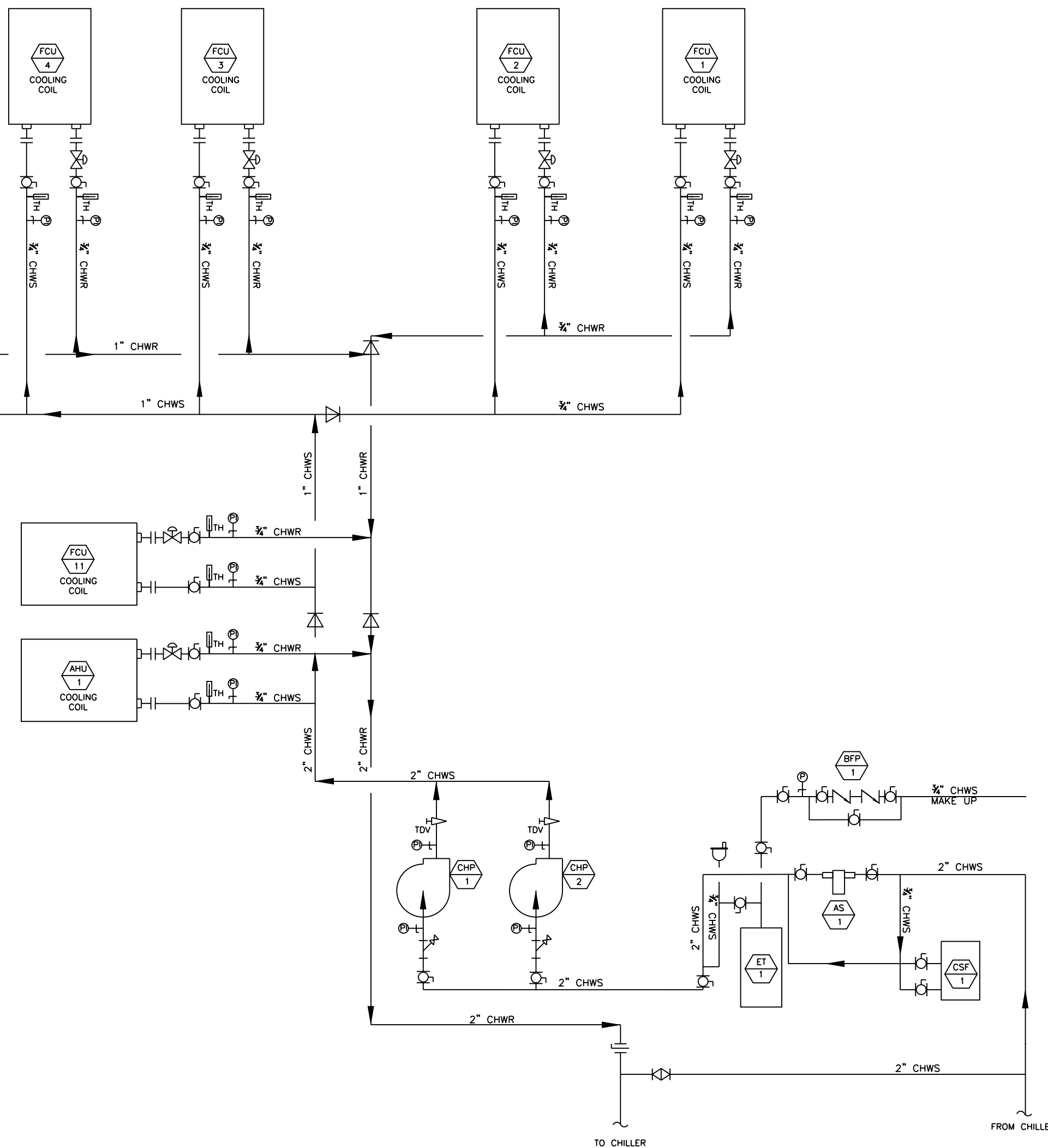


2 MECHANICAL ROOM
SCALE: NTS



1 CHILLED WATER FLOW DIAGRAM
SCALE: NTS

NO.	TYP. MFG. & CATALOGUE NO.	NOMINAL CAPACITY (TONS)	TYPE	CHILLED WATER - 30% E.G.			CONDENSER EAT °F	PRESSURE DROP (FT)	VOLTAGE/ PHASE	MIN. EER	NOTES
				GPM	EWT °F	LWT °F					
CH-1	TRANE CGAM026	26	SCROLL	52	53	42	95	9.9	208/3/60	9.8	1

NOTES:
1. PROVIDE WITH HEATER AND SINGLE POINT CONNECTION.

MARK	SERVES	TYPE	GPM	HD	MOTOR		MIN. EFFIC. %	RPM	TYP. MFG. & CATALOGUE NO.	SIZE AND FRAME	NOTES
					MIN. HP	VOLTS PH.					
BP-1	BOILER PUMP	INLINE	26	11	0.2	115/1	60	3300	B&G PL-36	1 1/2"	-
DHWP-1	DOMESTIC WATER HEAT EXCHANGER	INLINE	14	35	0.4	115/1	60	3250	B&G PL-55	1 1/2"	-
HWP-1	HOT WATER SECONDARY LOOP	INLINE	10	40	0.75	115/1	60	1750	B&G 80	1-1/2 x 1-1/2 x 7B	1
HWP-2	HOT WATER SECONDARY LOOP	INLINE	10	40	0.75	115/1	60	1750	B&G 80	1-1/2 x 1-1/2 x 7B	1
CWP-1	CHILLED WATER PRIMARY LOOP	INLINE	45	50	2	115/1	60	1750	B&G 80	1-1/2 x 1-1/2 x 9-1/2	1
CWP-2	CHILLED WATER PRIMARY LOOP	INLINE	45	50	2	115/1	60	1750	B&G 80	1-1/2 x 1-1/2 x 9-1/2	1

NOTES:
1. PROVIDE WITH VFD.

LEGEND

- PUMP (BASE-MOUNTED OR INLINE)
- GATE VALVE
- BUTTERFLY VALVE
- BALL VALVE
- SWING CHECK VALVE
- BALANCING VALVE
- TWO WAY CONTROL VALVE
- THREE WAY CONTROL VALVE
- TRIPLE DUTY VALVE
- STRAINER WITH BLOW OFF VALVE
- FLOW SWITCH
- TEMPERATURE TRANSMITTER
- PRESSURE TRANSMITTER OR PRESSURE SWITCH
- THERMOMETER
- PRESSURE INDICATOR
- AUTOMATIC AIR VENT
- DIRECTION OF FLOW
- UNION - SCREWED OR FLANGED
- CONCENTRIC REDUCER

GENERAL NOTES

- SEE M-001 AND M-002 FOR GENERAL NOTES, LEGEND, AND SYMBOL LEGEND.
- ALL HVAC WORK SHALL MEET THE REQUIREMENTS OF THE UNIFIED FACILITIES CRITERIA AND GUIDE SPECIFICATIONS.

**US Army Corps of Engineers
Huntsville Center**

DATE	DESCRIPTION	APPR.	DATE	APPR.
11/06/09	100% PRE-FINAL DESIGN			
03/03/10	FINAL DESIGN FOR CONSTRUCTION			

DESIGNED BY: SMH	CHKD BY: JAC	DATE: 26-JUL-2009
DRAWN BY: SMH	DATE: 26-JUL-2009	FILE NO.: W91ZDY-09-C-003
SUBMITTED BY: KCI TECHNOLOGIES	CONTRACT NO.: W91ZDY-09-C-003	FILE NUMBER: XX-XXXXXX
PLOT SCALE: AS NOTED	PLOT DATE: AS NOTED	FILE NAME: FS_M-602.dgn
SIZE: AS NOTED		

3 MARCH 2010 BUILDING DESIGN FINAL DESIGN FOR CONSTRUCTION

15TH STREET FIRE STATION
FORT STEWART, GEORGIA

**CHILLED WATER PIPING
DIAGRAM**

SHEET IDENTIFICATION
M-602
SHEET 100 OF 117

