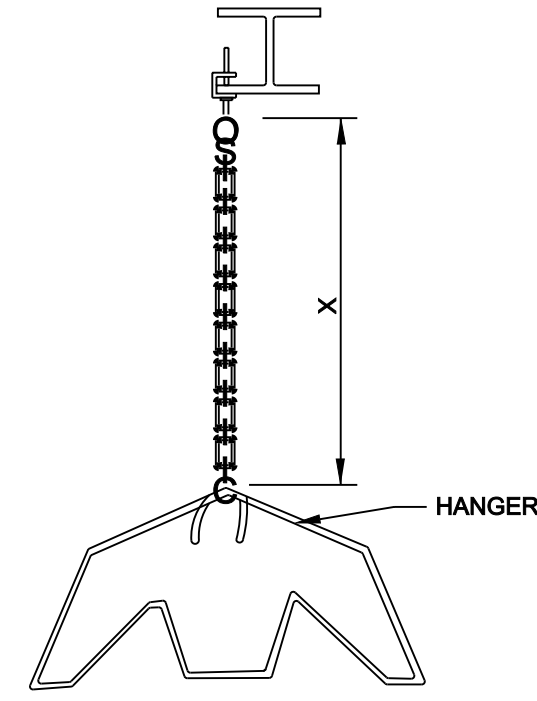
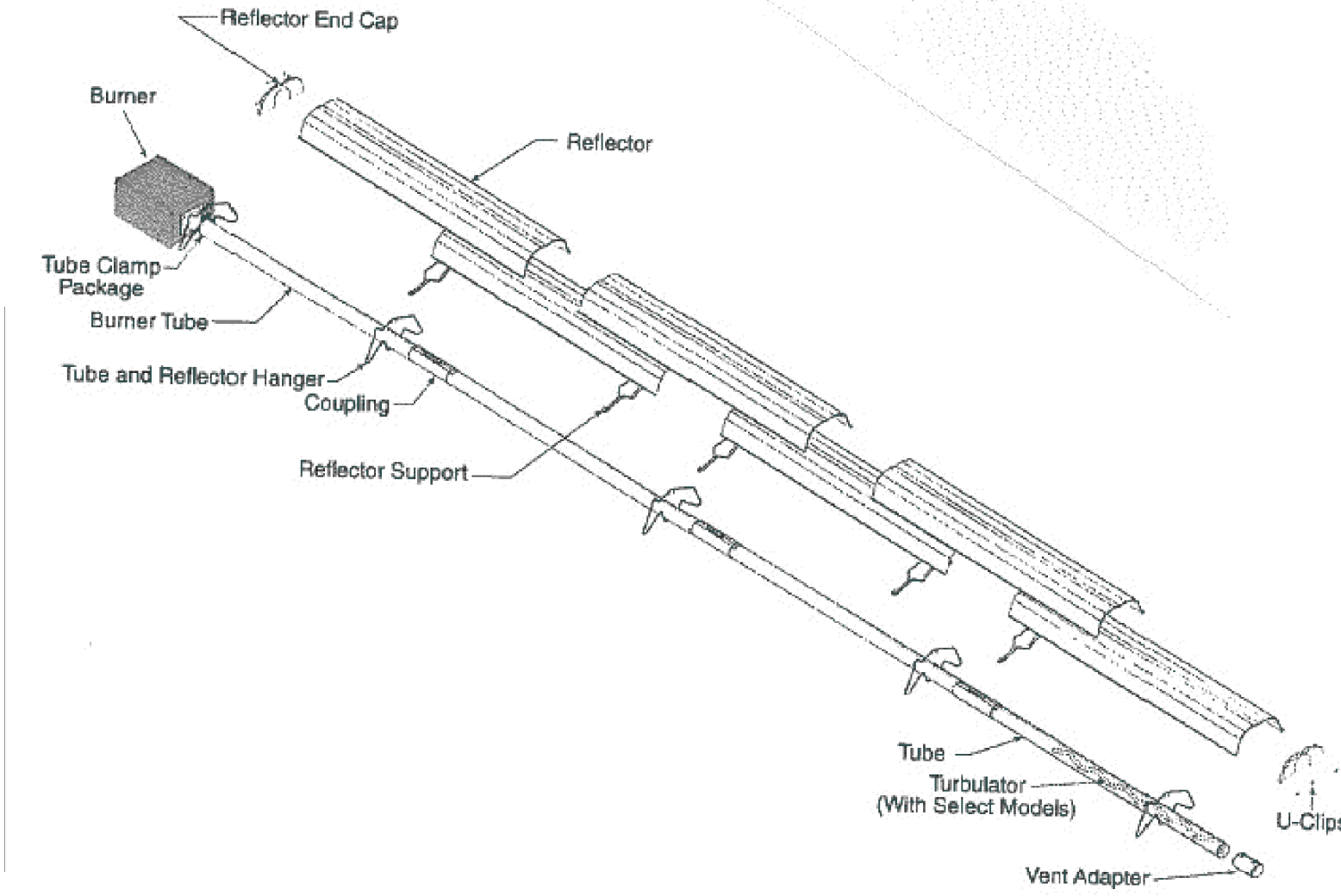


1 PLYMOVENT CLASS A FAN DETAIL
M-502 SCALE: NTS

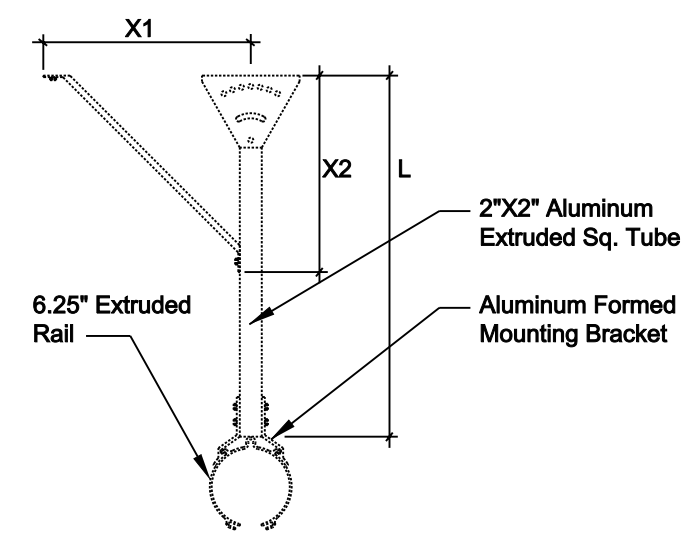


RUN LENGTH	TYPICAL EXPANSION	MINIMUM "X" LENGTH
10'-50"	+/-1" (3 CM)	12"
51'-60"	+/-2" (5 CM)	18"
61'-70"	+/-3" (8 CM)	18"

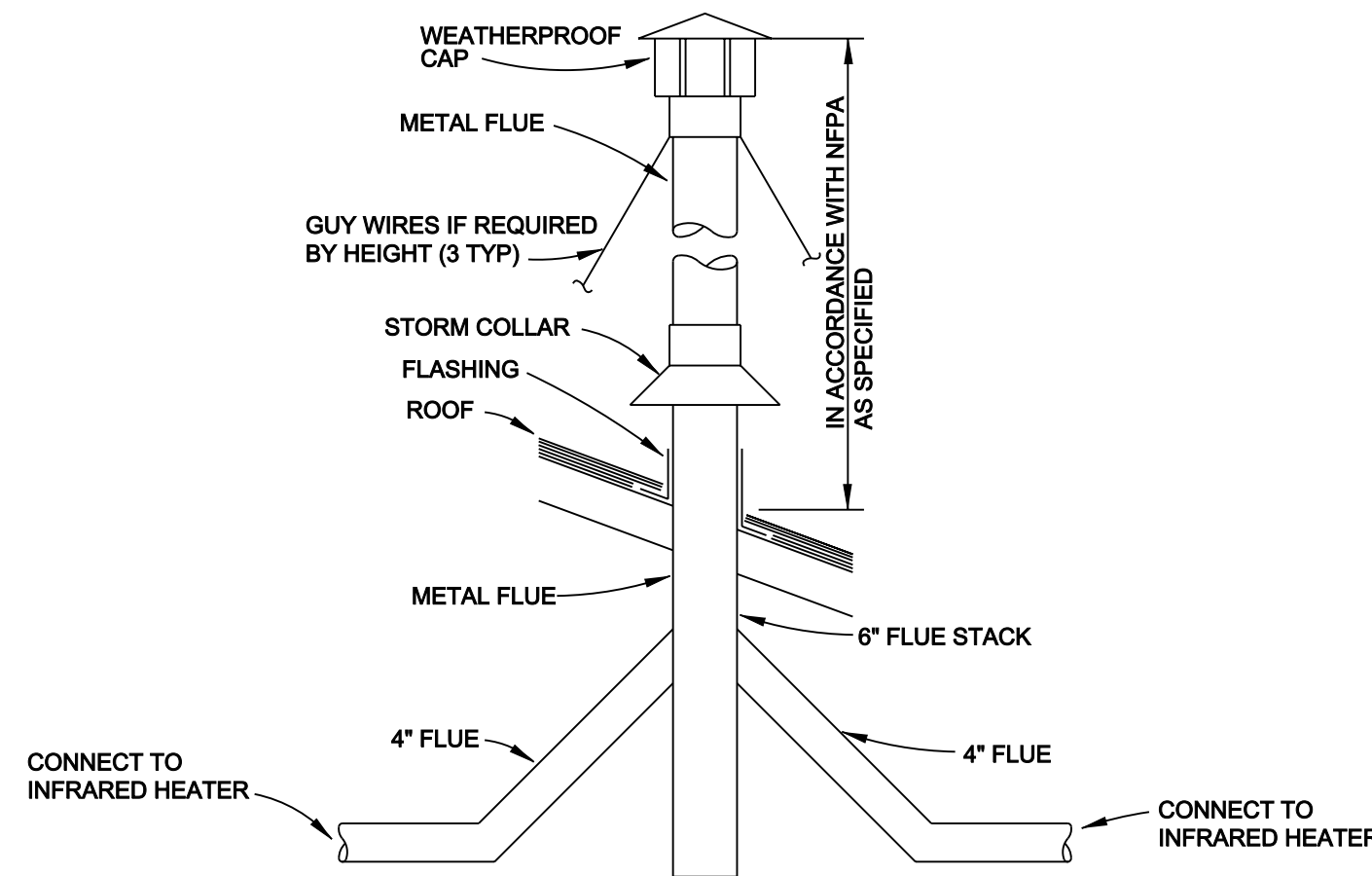
3 INFRARED HEATER DETAIL
M-502 SCALE: NTS



5 INFRARED HEATER SCHEMATIC
M-502 SCALE: NTS



2 RAIL MOUNTING DETAIL
M-502 SCALE: NTS



4 METAL FLUE STACK DETAIL
M-502 SCALE: NTS

MARK	DESCRIPTION	DATE	APPR.
A	100% PRE-FINAL DESIGN	11/06/09	
B	FINAL DESIGN FOR CONSTRUCTION	03/03/10	

DESIGNED BY: SMH	CHK BY: JL	DATE: 26-JUL-2009
U.S. ARMY CORPS OF ENGINEERS HUNTSVILLE CENTER	U.S. ARMY CORPS OF ENGINEERS HUNTSVILLE CENTER	U.S. ARMY CORPS OF ENGINEERS HUNTSVILLE CENTER
SUBMITTED BY: KCI TECHNOLOGIES	CONTRACT NO.:	FILE NUMBER:
PLOT SCALE:	PLOT DATE:	FILE NAME:
AS NOTED	AS NOTED	FS_M-502.dgn

3 MARCH 2010 BUILDING DESIGN FINAL DESIGN FOR CONSTRUCTION

MECHANICAL DETAILS

SHEET IDENTIFICATION
M-502
SHEET 98 OF 117

05:41 PM on Wednesday, March 03, 2010
 M:\2008\12082908-FFStewart\ENGR\BIM\Con_Docs\CAD_Sheets\Mechanical\FS_M-502.dgn

