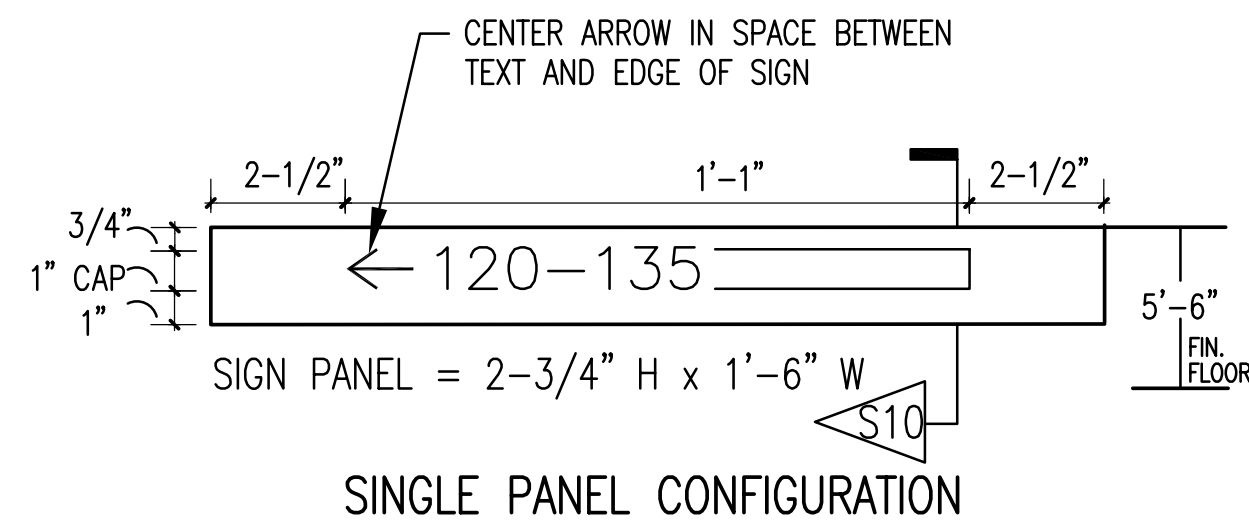
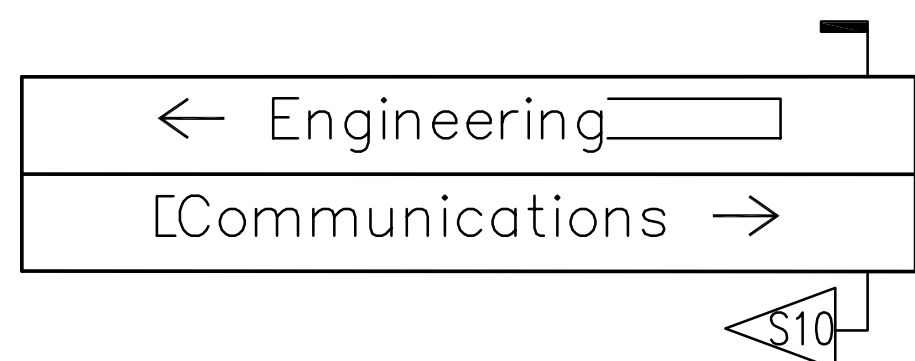


NOTE: MESSAGE. DIRECTIVE- UPPER AND LOWER CASE HELVETICA MEDIUM, 1" INCH CAPITAL LETTER HEIGHT, CENTERED. AVERAGE LINE LENGTH-10 CHARACTERS PER LINE.

SIGN TYPE DD1



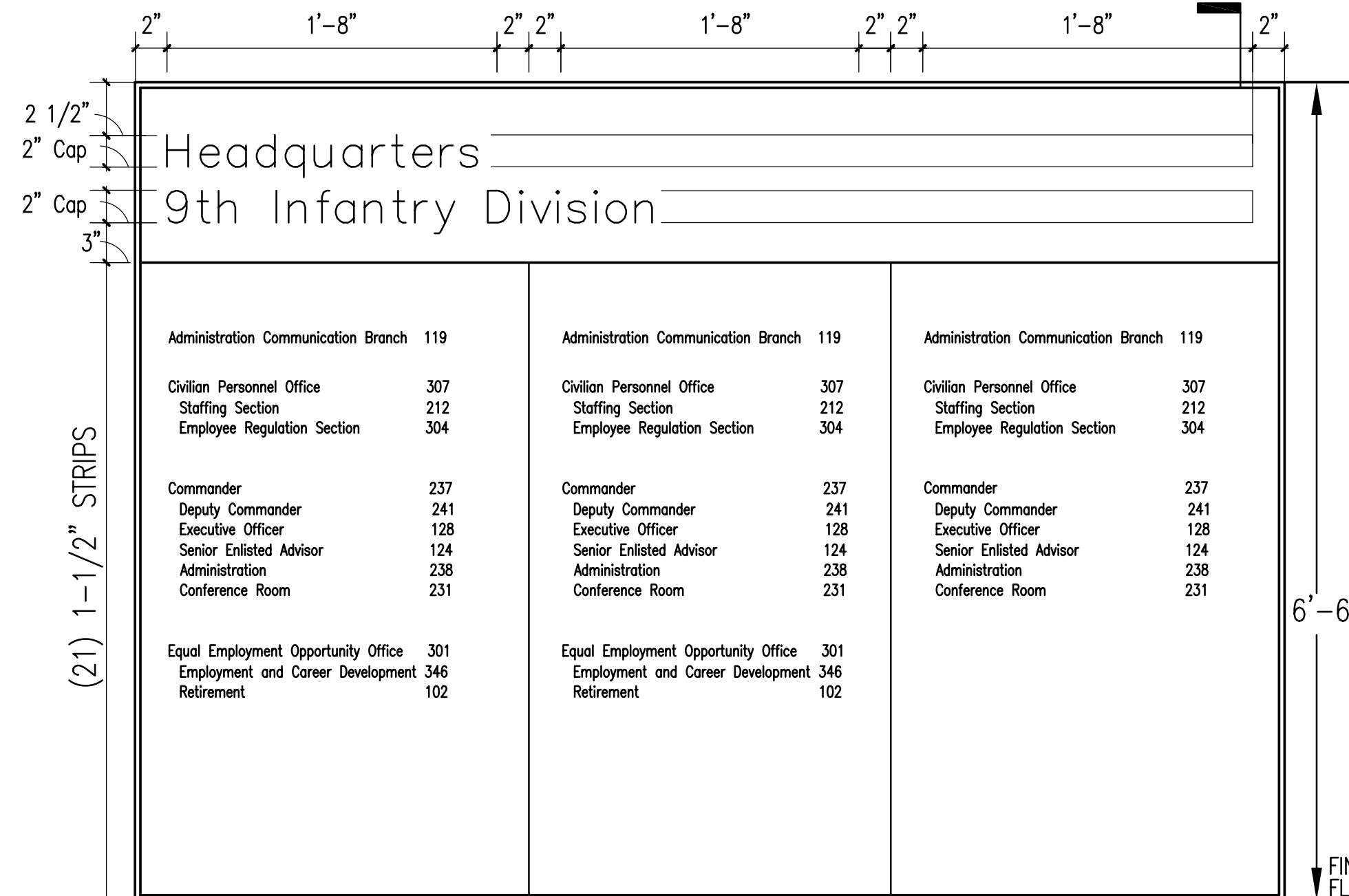
SIGN TYPE AA5



SIGN TYPE AA5

NOTE: MESSAGE. DESTINATION NAME OR NUMBER-UPPER AND LOWER CASE HELVETICA MEDIUM, 1-INCH CAPITAL LETTER HEIGHT, FLUSH RIGHT OR LEFT DEPENDING ON DESTINATION DIRECTION. AVERAGE LINE LENGTH-18 CHARACTERS PER LINE. SIGN TO BE CEILING MOUNTED 1'-0" FRONT THE EDGE OF THE WALL.

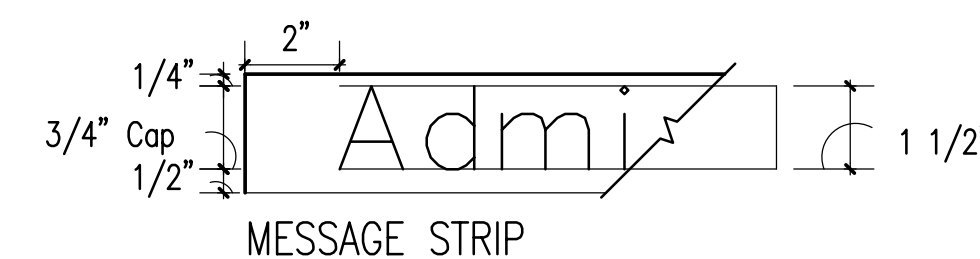
SIGN TYPE AA5



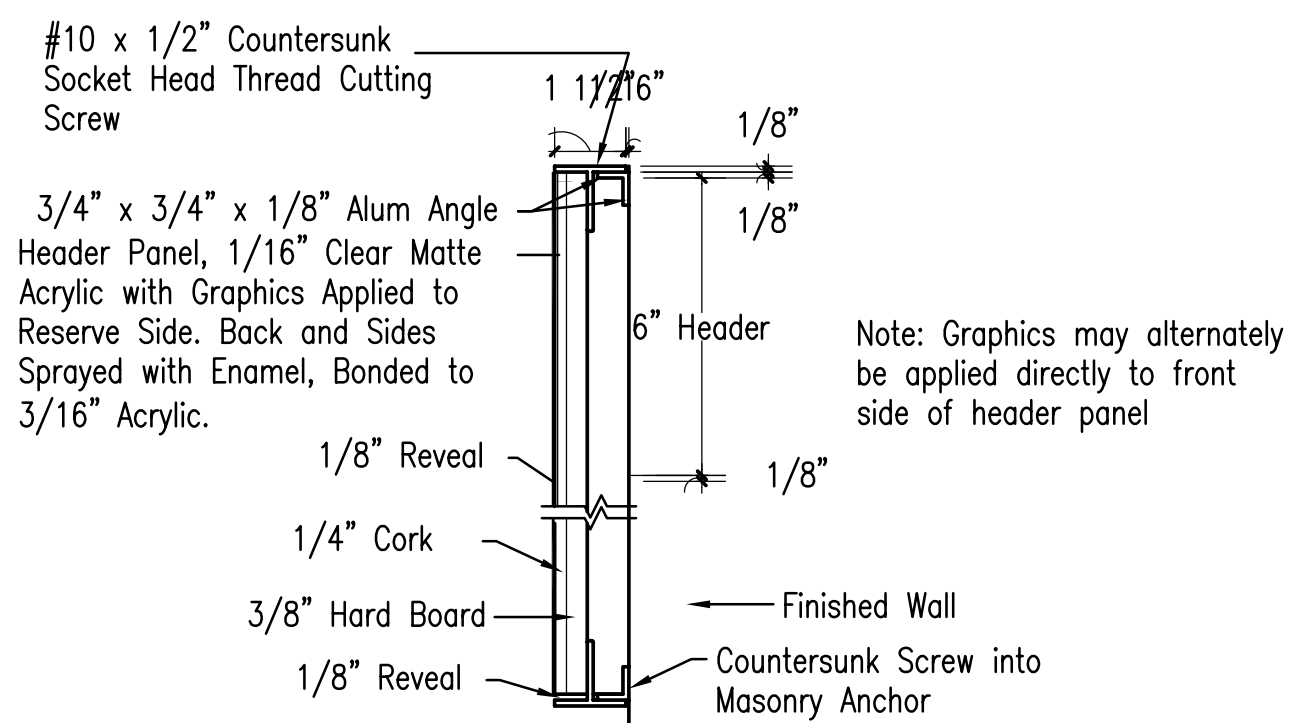
SIGN TYPE AA1

NOTE: HEADER MESSAGE. BUILDING OR MILITARY UNIT NAME-UPPER AND LOWER CASE HELVETICA MEDIUM, 2-INCH CAPITAL LETTER HEIGHT, FLUSH LEFT. AVERAGE LINE LENGTH-48 CHARACTERS PER LINE. SERVICE NAME-UPPER AND LOWER CASE HELVETICA REGULAR, 2-INCH CAPITAL LETTER HEIGHT, FLUSH LEFT. AVERAGE LINE LENGTH-56 CHARACTERS PER LINE. BUILDING NUMBER-HELVETICA MEDIUM, 4-INCH "NUMBER HEIGHT, FLUSH LEFT. DIRECTORY LISTING. AREAS, OFFICES OR NAMES-UPPER AND LOWER CASE HELVETICA MEDIUM, 3/4-INCH CAPITAL LETTER HEIGHT, FLUSH LEFT. AVERAGE LINE LENGTH-38 CHARACTERS PER LINE. EACH MODULE HAS 21 MESSAGE STRIPS.

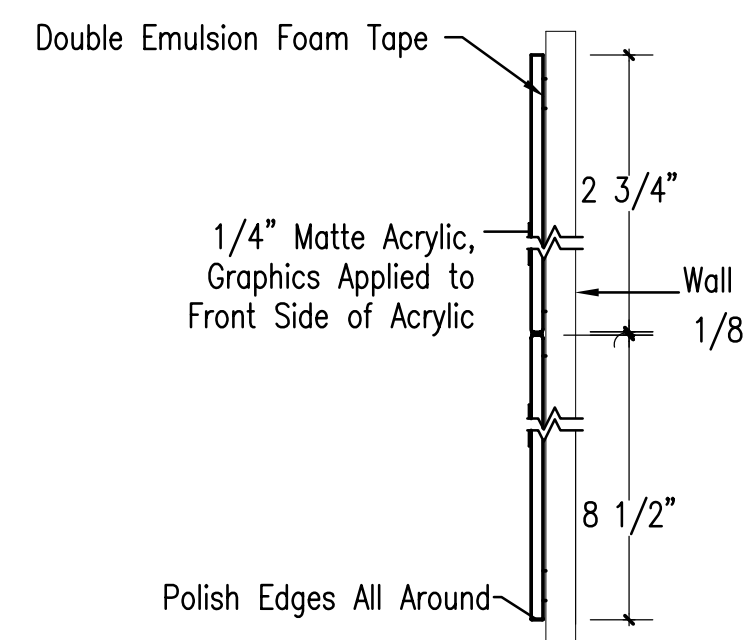
SIGN TYPE AA1



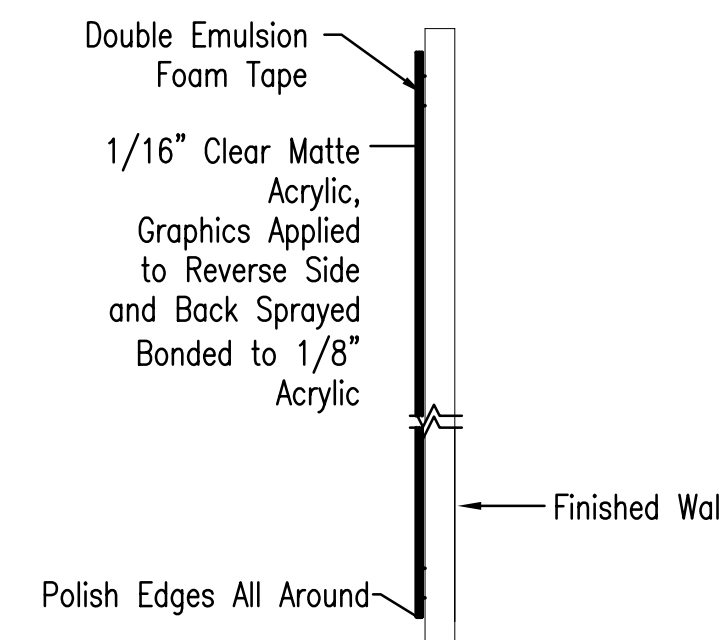
MESSAGE STRIP



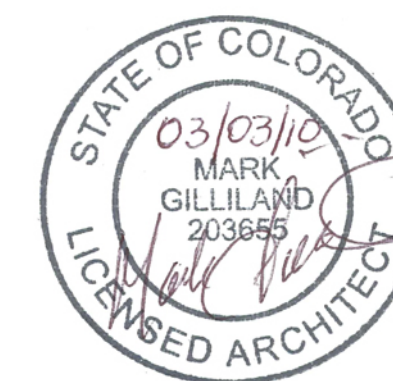
S9 SECTION



S10 SECTION



S11 SECTION



MARK	DESCRIPTION	DATE	APPR. MARK	DATE	APPR.
A	65% PRE-FINAL DESIGN	7/29/09			
B	100% FINAL DESIGN	9/18/09			
C	DESIGN COMPLETE	2010			

DATE: 03-MARCH-2010	DESIGNED BY: J.S.	DATE: 03-MARCH-2010	FILE NAME: FEJ-501.DGN
PROJECT: 15TH STREET FIRE STATION	DESIGNED BY: J.S.	PROJECT: 15TH STREET FIRE STATION	FILE NAME: FEJ-501.DGN
LOCATION: FORT STEWART, GEORGIA	DESIGNED BY: J.S.	LOCATION: FORT STEWART, GEORGIA	FILE NAME: FEJ-501.DGN
CONTRACT NO.: W912DY-09-C-0003	DESIGNED BY: J.S.	CONTRACT NO.: W912DY-09-C-0003	FILE NAME: FEJ-501.DGN
CONTRACT NO.: W912DY-09-C-0003	DESIGNED BY: J.S.	CONTRACT NO.: W912DY-09-C-0003	FILE NAME: FEJ-501.DGN
CONTRACT NO.: W912DY-09-C-0003	DESIGNED BY: J.S.	CONTRACT NO.: W912DY-09-C-0003	FILE NAME: FEJ-501.DGN

15TH STREET FIRE STATION
FORT STEWART, GEORGIA

SIGNAGE DETAILS - 2 OF 2

SHEET IDENTIFICATION
I-501
SHEET 74 OF 117

03-MARCH-2010 FINAL DESIGN ISSUE FOR CONSTRUCTION