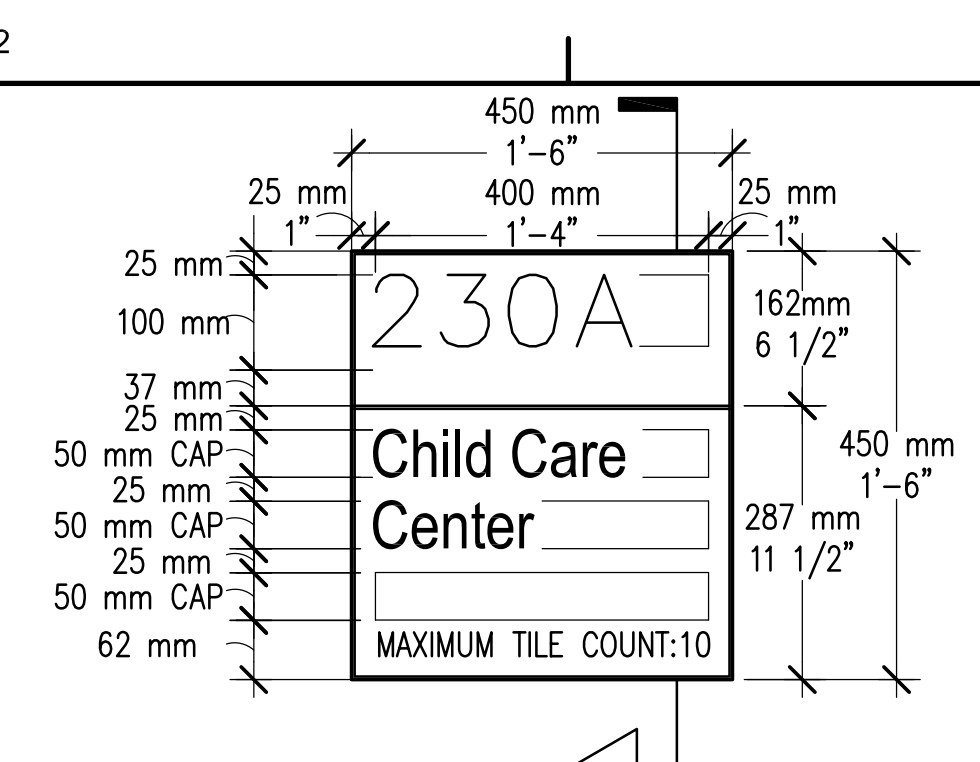


NOTE: TYPOGRAPHY- FACILITY NAME: UPPER AND LOWER CASE HELVETICA MEDIUM, 75MM (3") CAPITAL LETTER HEIGHT, FLUSH LEFT. SECONDARY INFORMATION: UPPER AND LOWER CASE HELVETICA REGULAR, 75MM (3") CAPITAL LETTER HEIGHT, FLUSH LEFT. THE MESSAGE AREA WILL ACCOMMODATE THREE LINES, WITH A MAXIMUM LINE LENGTH OF 17 TILES OR CHARACTERS PER LINE.

SYMBOL- 150MMX150MM (6"X6") SQUARE UPPER LEFT CORNER. STREET ADDRESS NUMBER (IF USED INSTEAD OF SYMBOL): HELVETICA MEDIUM, 100 MM (4") NUMBERS, FLUSH LEFT.

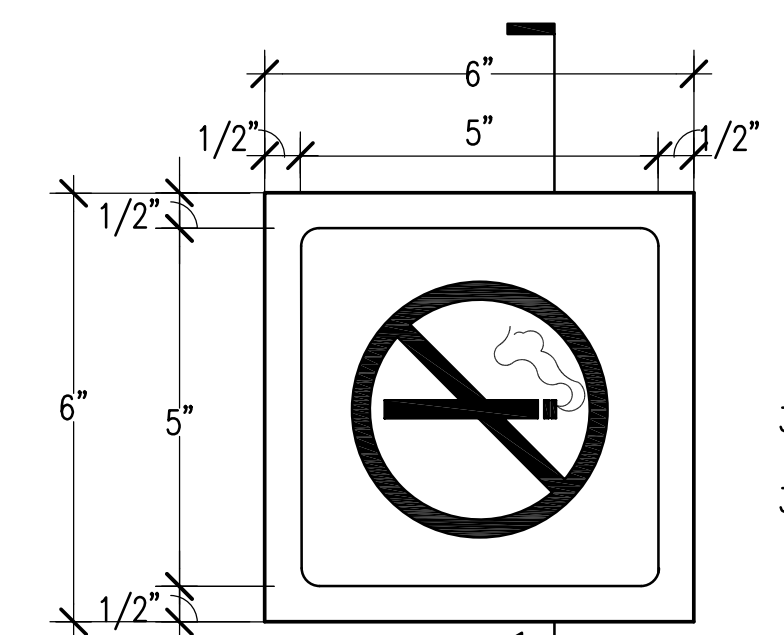
RULES: 1/8" (3) WIDE WHITE REFLECTIVE TAPE.

SIGN TYPE A



NOTE: TYPOGRAPHY. FACILITY NAME: UPPER AND LOWER CASE HELVETICA MEDIUM, 50MM (2") CAPITAL LETTER HEIGHT, FLUSH LEFT. THE MESSAGE AREA WILL ACCOMMODATE THREE LINES, WITH A MAXIMUM LINE LENGTH OF 10 TILES OR CHARACTERS PER LINE. SYMBOL- 100MMX100MM (4"X4") SQUARE UPPER LEFT CORNER. 3MM (1/8") WHITE TAPE. RULES: 1/8"(3) WIDE WHITE REFLECTIVE TAPE. MOUNTING: MOUNT ON EXTERIOR WALL PER MANUFACTURERS RECOMMENDED INSTRUCTIONS.

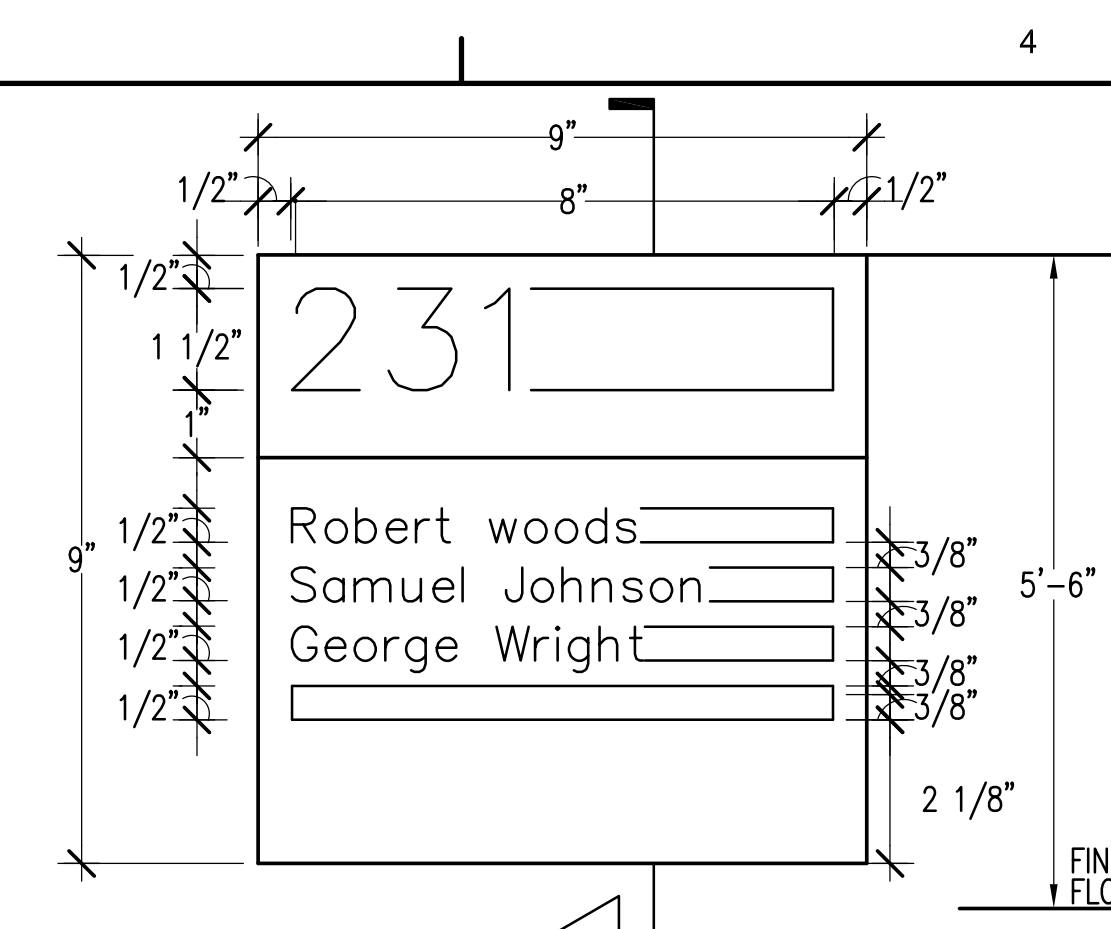
SIGN TYPE B



SIGN TYPE DD2

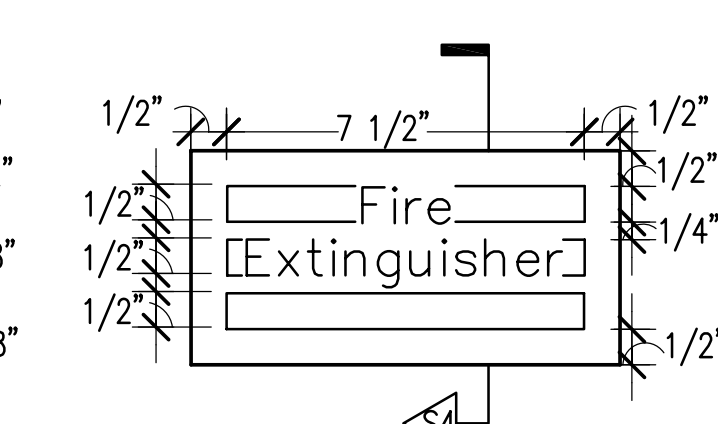
NOTE: MESSAGE. DIRECTIVE-UPPER AND LOWER CASE HELVETICA MEDIUM, 1/2-INCH CAPITAL LETTER HEIGHT, CENTERED. AVERAGE LINE LENGTH-14 CHARACTERS PER LINE.

SIGN TYPE DD2

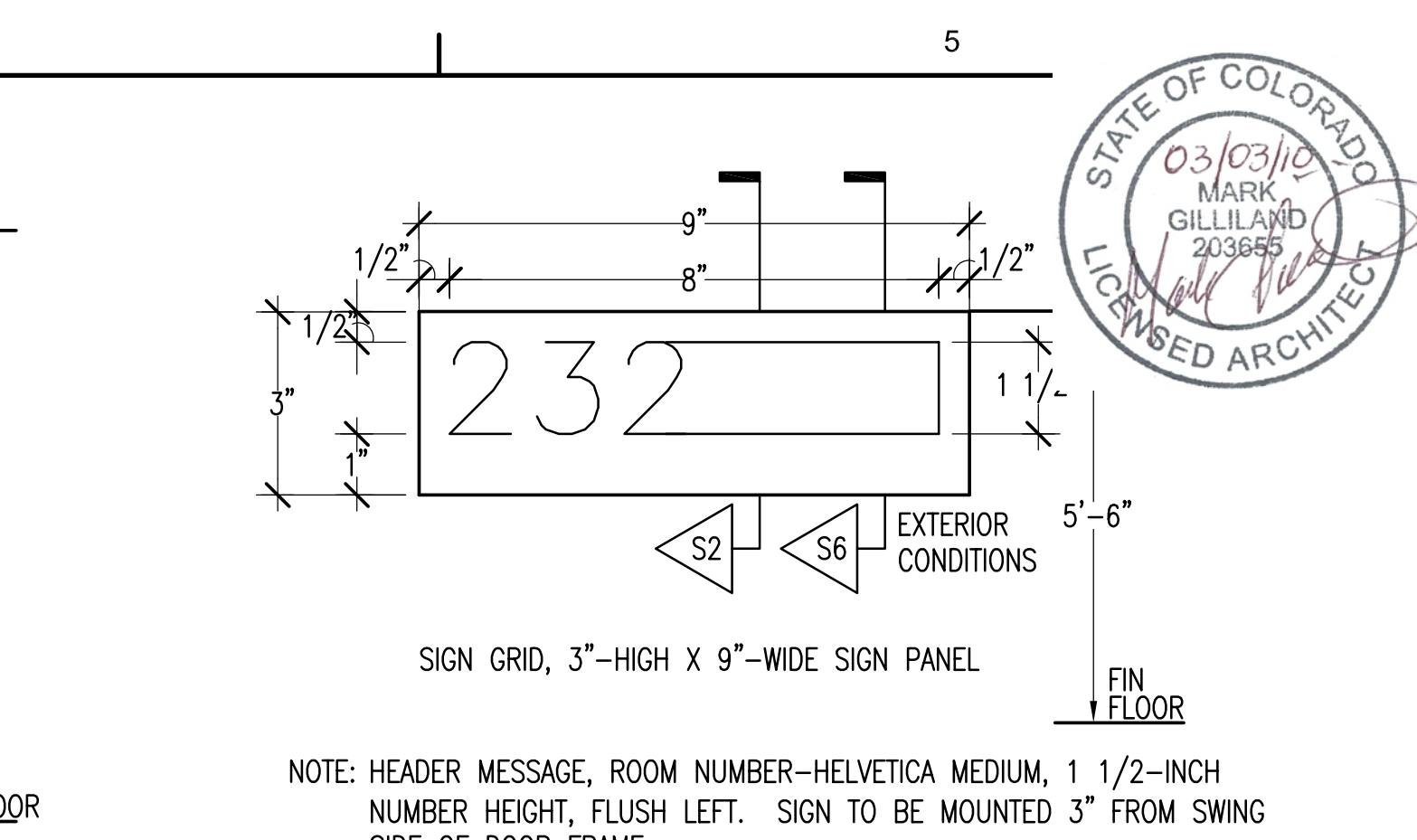


NOTE: HEADER MESSAGE. ROOM NUMBER-HELVETICA MEDIUM, 1 1/2-INCH NUMBER HEIGHT, FLUSH LEFT. INSERT CARD MESSAGE. SERVICE NAME-UPPER AND LOWER CASE HELVETICA MEDIUM, 1/2-INCH CAPITAL LETTER HEIGHT, FLUSH LEFT. AVERAGE LINE LENGTH-22 CHARACTERS PER LINE. SUB SERVICE OR PERSONNEL NAME-UPPER AND LOWER CASE HELVETICA MEDIUM, 1/2-INCH CAPITAL LETTER HEIGHT, FLUSH LEFT. AVERAGE LINE LENGTH-26 CHARACTERS PER LINE. SIGN TO BE MOUNTED 3" FROM SWING SIDE OF DOOR FRAME.

SIGN TYPE BB2

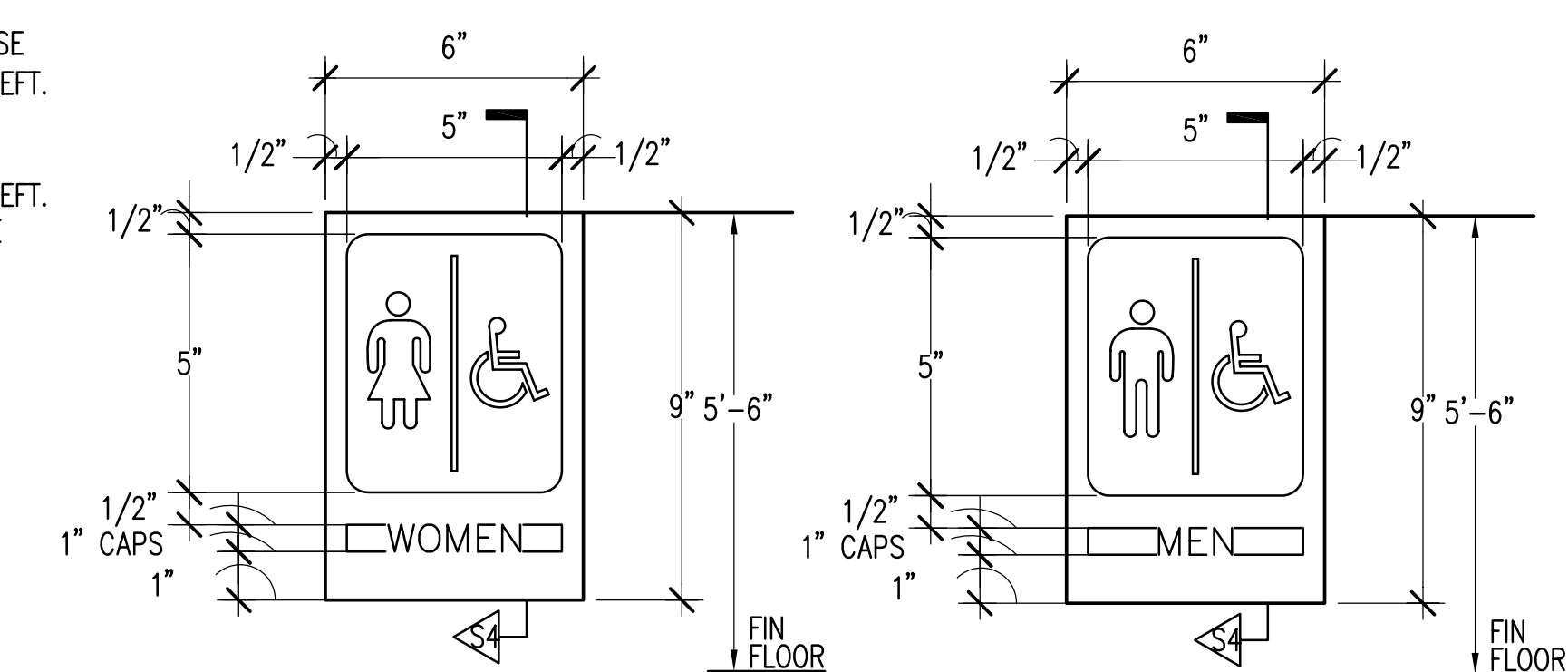


SIGN TYPE BB7



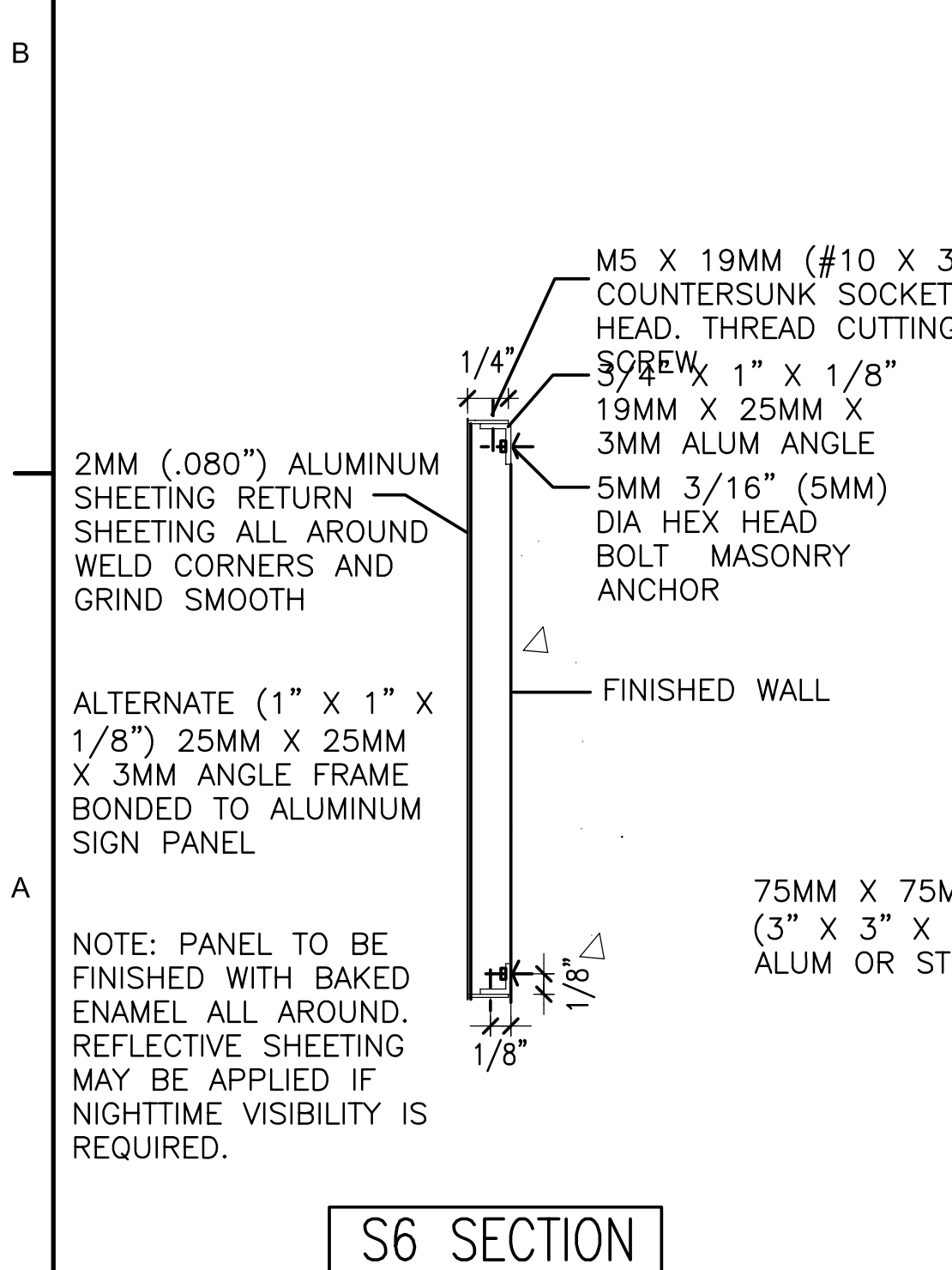
NOTE: HEADER MESSAGE, ROOM NUMBER-HELVETICA MEDIUM, 1 1/2-INCH NUMBER HEIGHT, FLUSH LEFT. SIGN TO BE MOUNTED 3" FROM SWING SIDE OF DOOR FRAME.

SIGN TYPE BB4

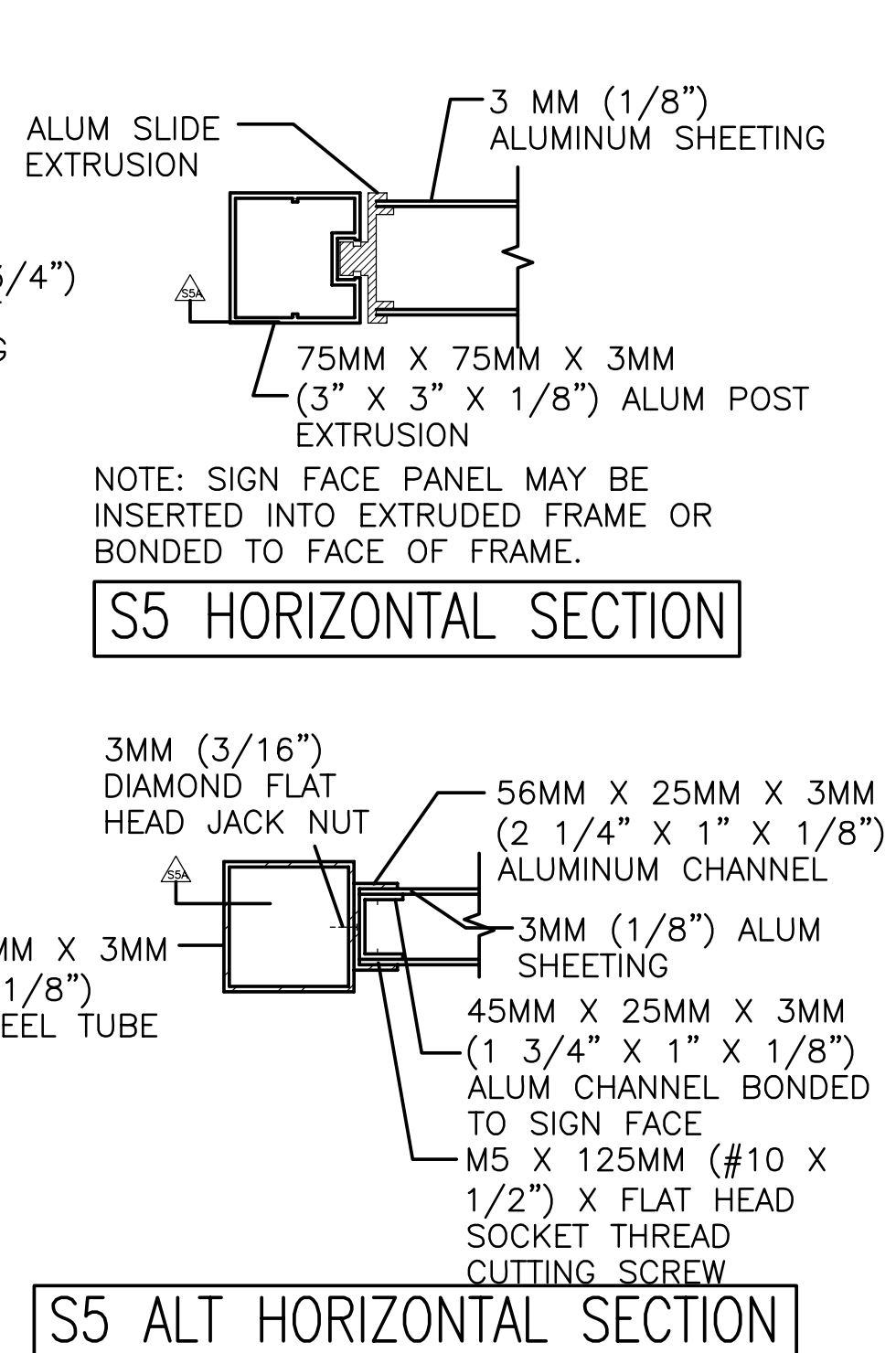


NOTE: MESSAGE. ROOM NUMBER-HELVETICA MEDIUM, 1-INCH NUMBER HEIGHT, FLUSH LEFT. AVERAGE LINE LENGTH-7 CHARACTERS PER LINE. SIGN MOUNT CENTERED ON DOOR.

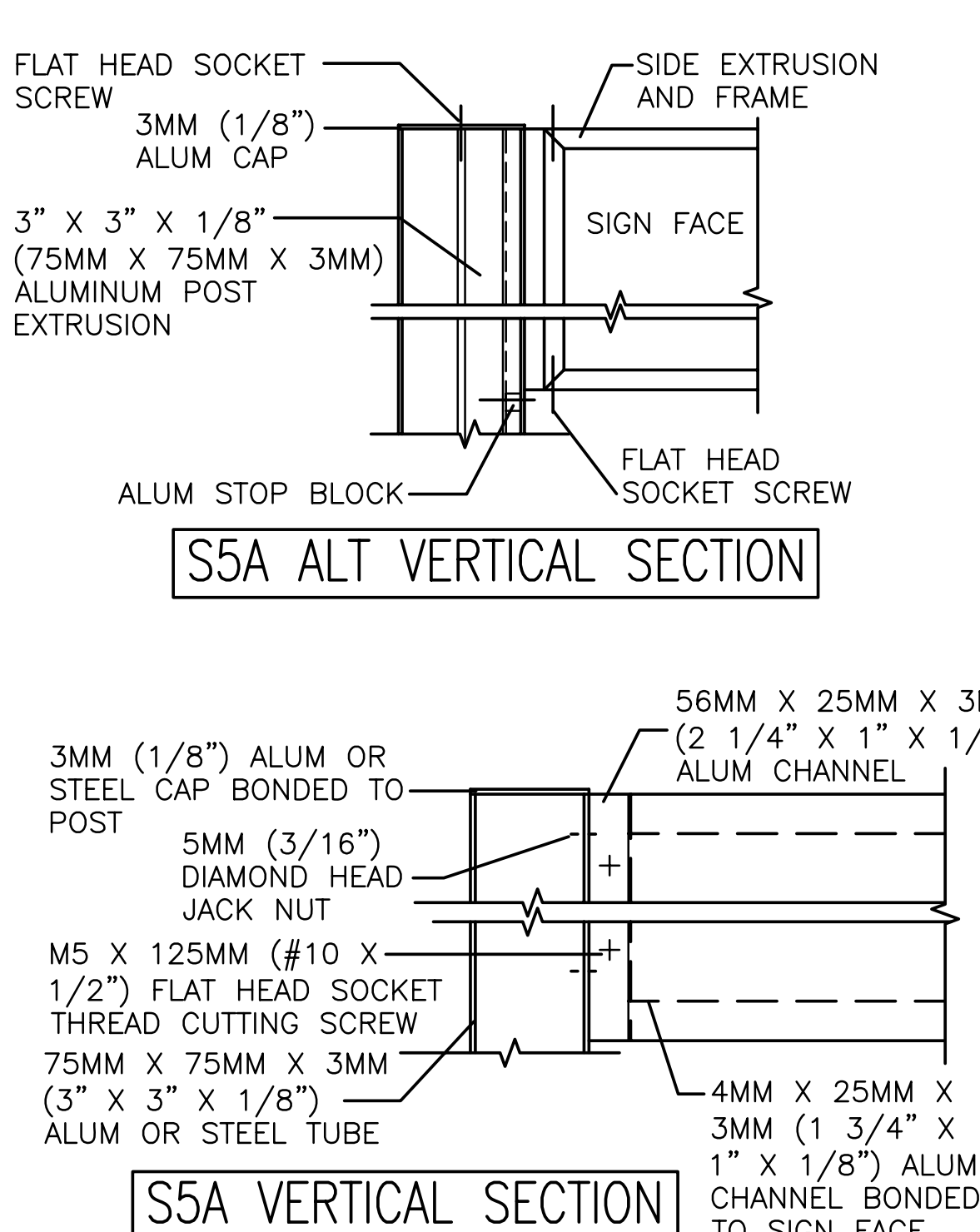
SIGN TYPE BB7



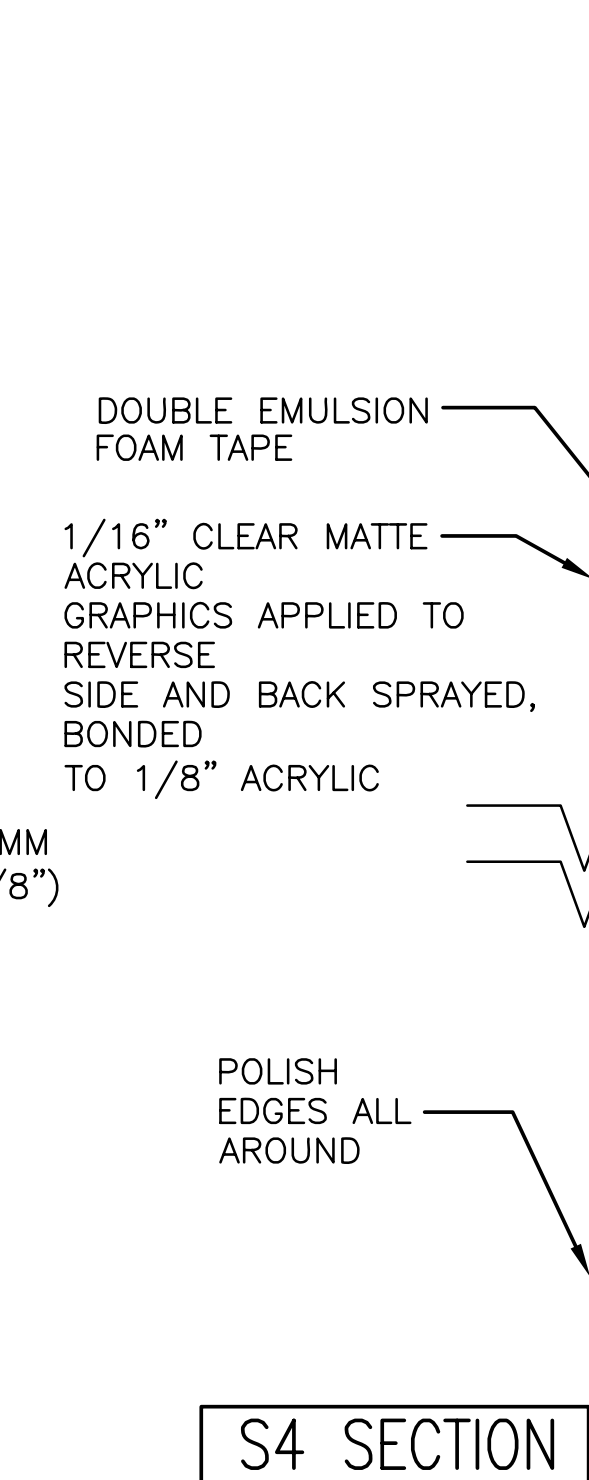
S6 SECTION



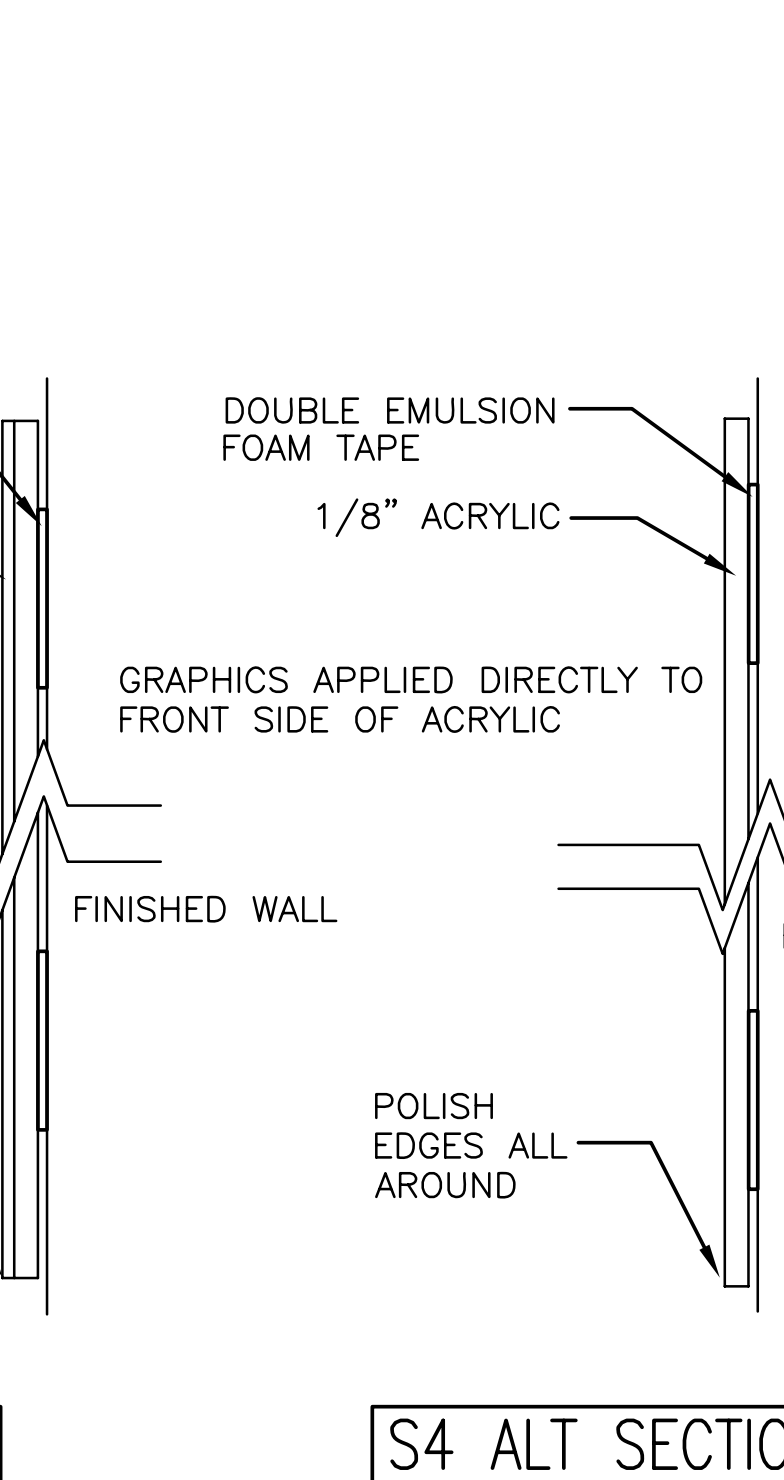
S5 ALT HORIZONTAL SECTION



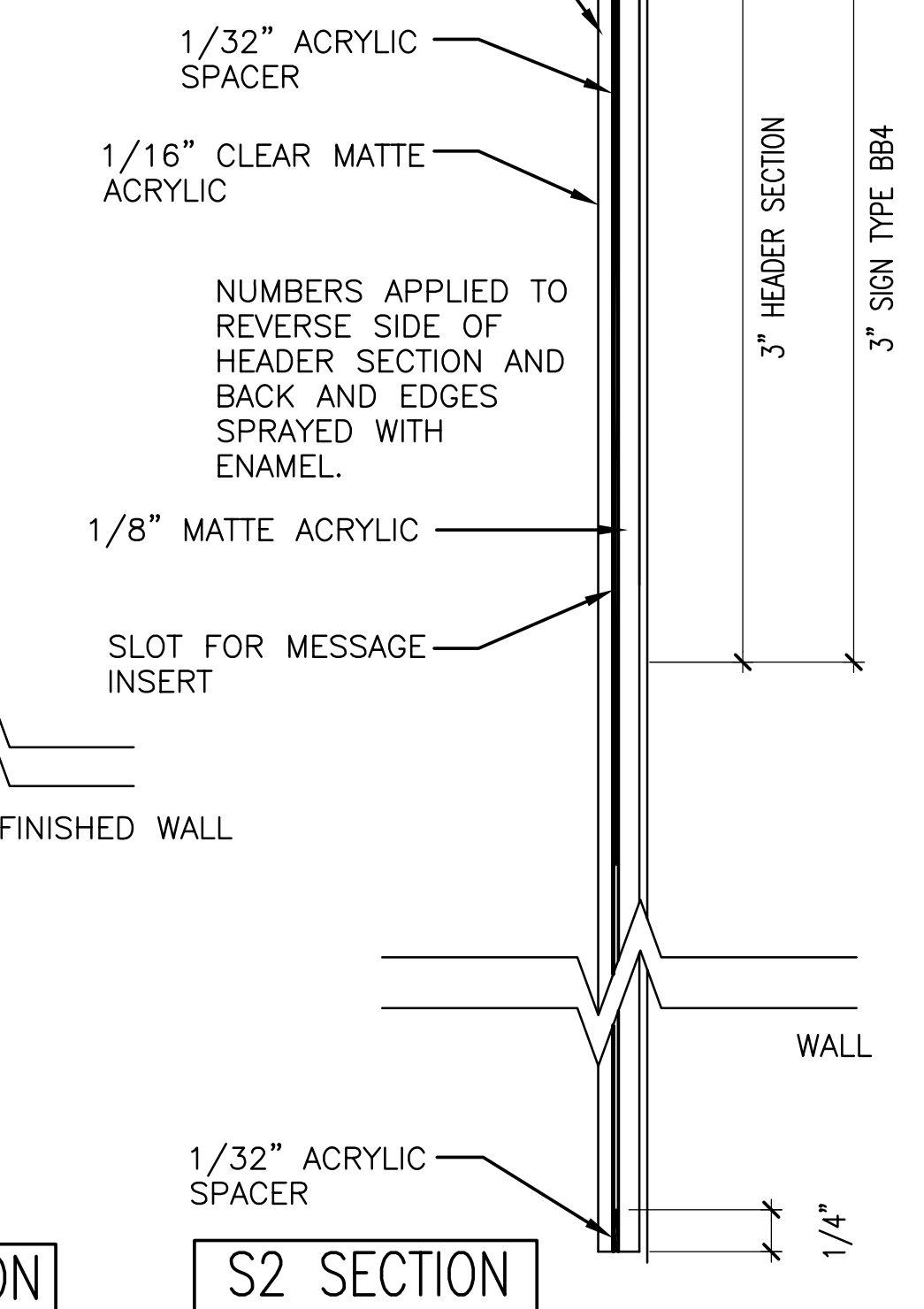
S5A VERTICAL SECTION



S4 SECTION



S4 ALT SECTION



S2 SECTION



MARK	DESCRIPTION	DATE	APPR.	MARK
A	65% PRE-FINAL DESIGN	7/29/09		
B	100% FINAL DESIGN	9/18/09		
C	DESIGN COMPLETE	2010		

DATE: 03-MARCH-2010	DESIGNED BY: U.S. ARMY CORPS OF ENGINEERS	DESIGNED BY: U.S. ARMY CORPS OF ENGINEERS	DESIGNED BY: U.S. ARMY CORPS OF ENGINEERS
PROJECT NO.: 15TH STREET FIRE STATION	DESIGNED BY: HUNTSVILLE CENTER	DESIGNED BY: HUNTSVILLE CENTER	DESIGNED BY: HUNTSVILLE CENTER
CONTRACT NO.: W91DY09C0003	DESIGNED BY: STOA ARCHITECTS	DESIGNED BY: STOA ARCHITECTS	DESIGNED BY: STOA ARCHITECTS
FILE NUMBER: FL-900-001	DESIGNED BY: 121 EAST GOVERNMENT STREET	DESIGNED BY: 121 EAST GOVERNMENT STREET	DESIGNED BY: 121 EAST GOVERNMENT STREET
	DESIGNED BY: PENSACOLA, FL 32502	DESIGNED BY: PENSACOLA, FL 32502	DESIGNED BY: PENSACOLA, FL 32502

15TH STREET FIRE STATION	SIGNAGE DETAILS - 1 OF 2
FORT STEWART, GEORGIA	
SHEET IDENTIFICATION	
1-500	
SHEET 73 OF 117	