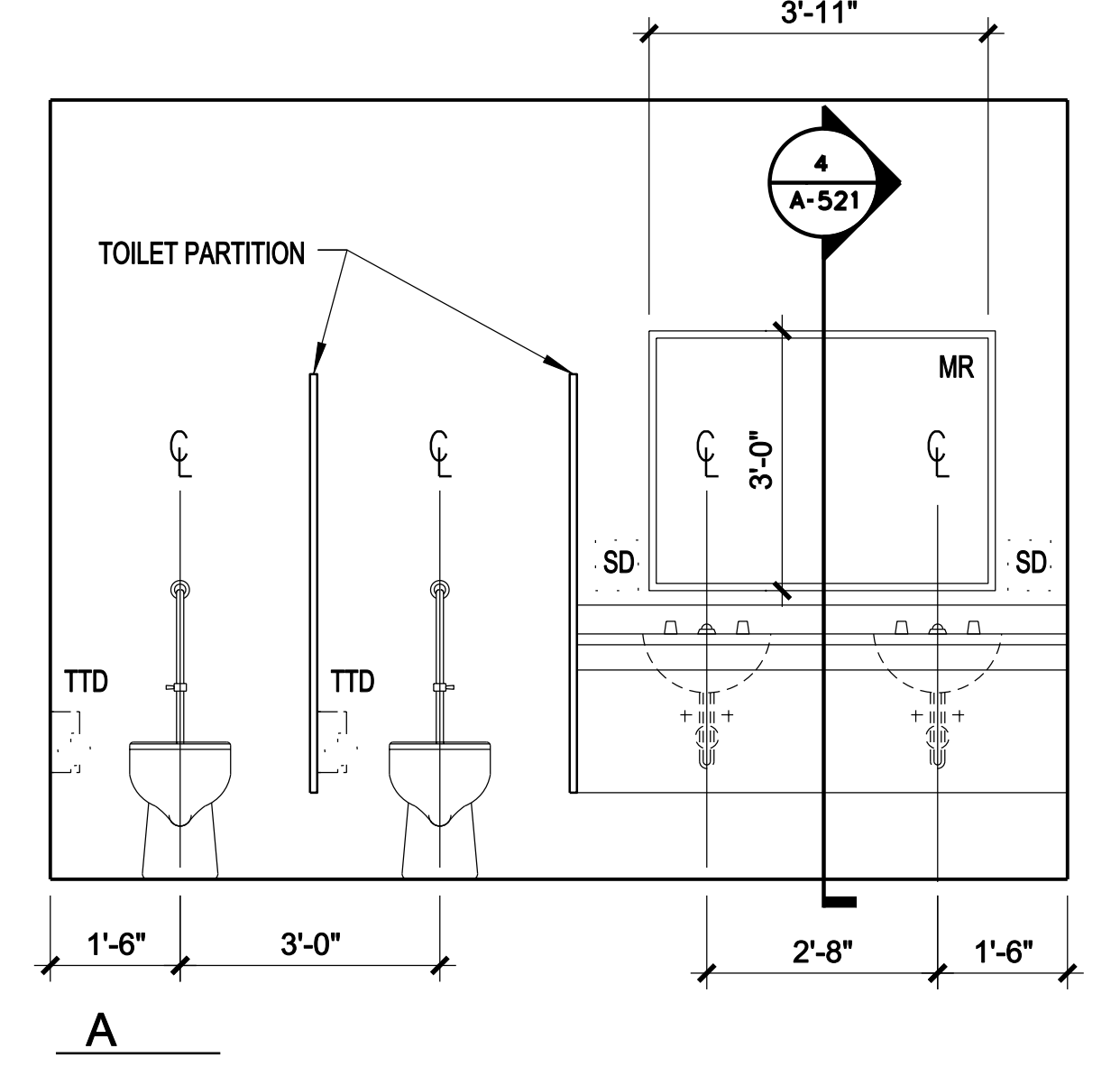


**1 KITCHEN, RM 152**  
 A-520 0 1' 2' 4'  
 SCALE: 1/2" = 1'-0"

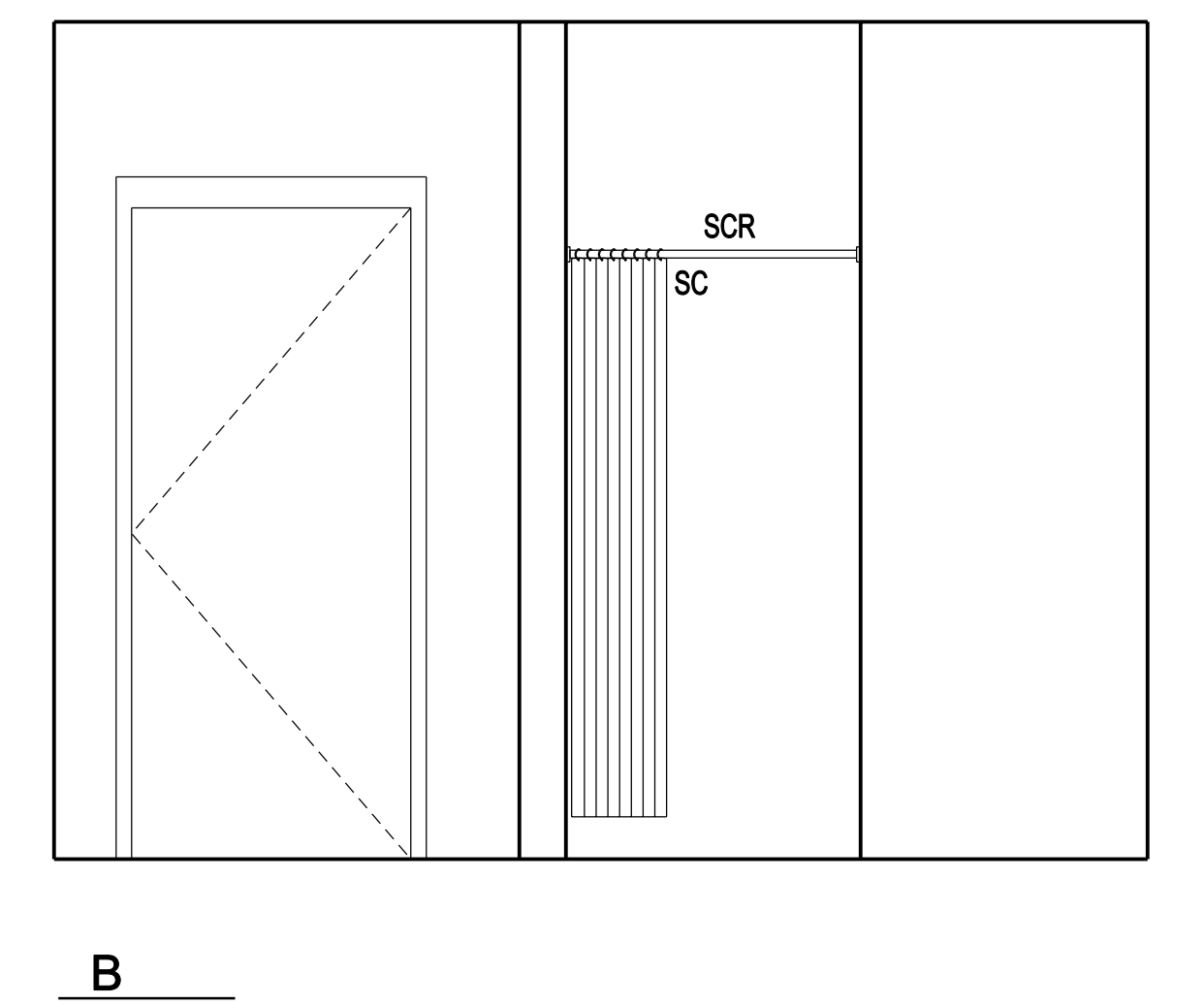


**2 NOT USED**  
 A-520 0 1' 2' 4'  
 SCALE: 1/2" = 1'-0"

**4 KITCHEN, RM 104**  
 A-520 0 1' 2' 4'  
 SCALE: 1/2" = 1'-0"

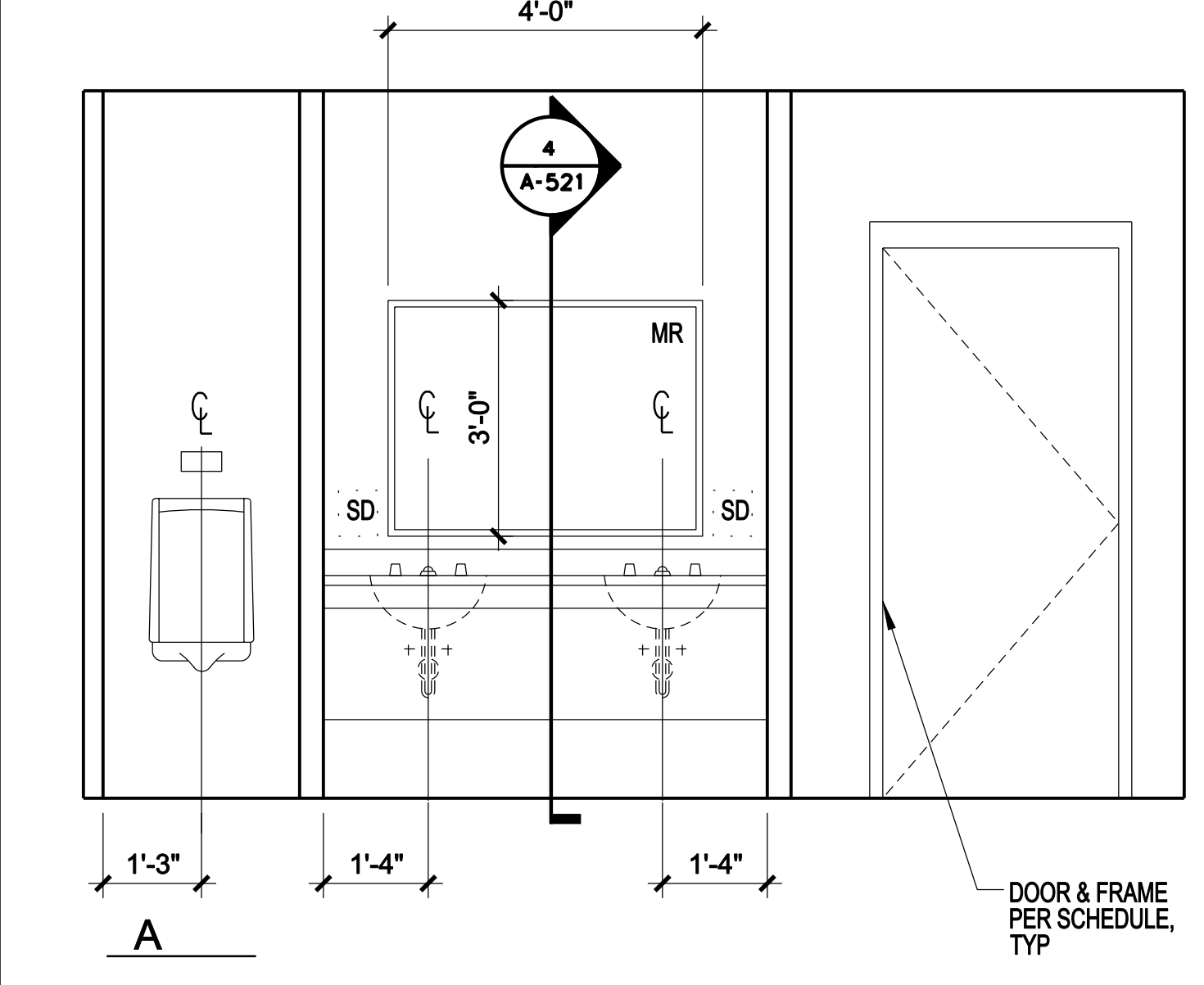


**A**

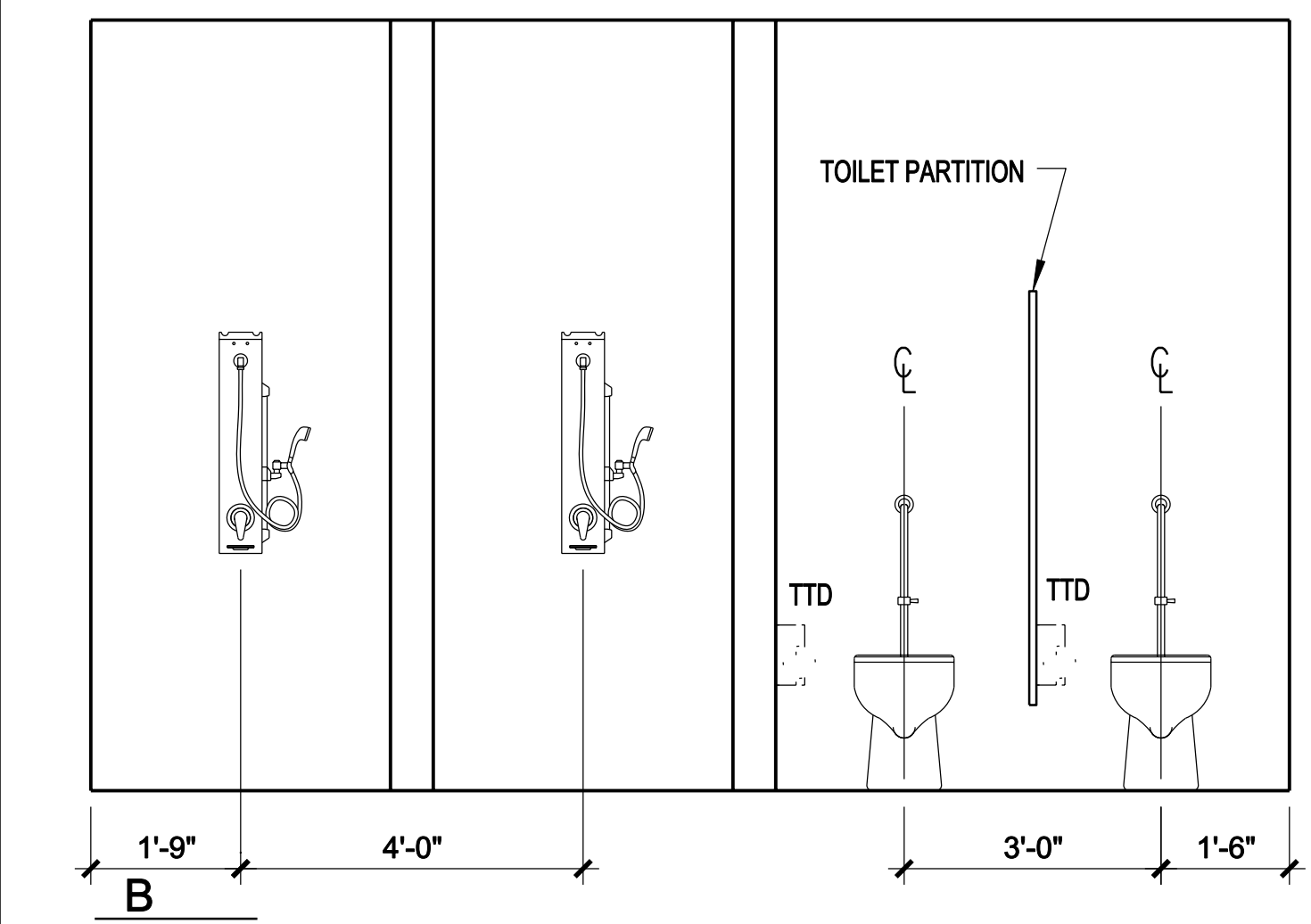


**B**

**5 WOMEN, RM 135**  
 A-520 0 1' 2' 4'  
 SCALE: 1/2" = 1'-0"

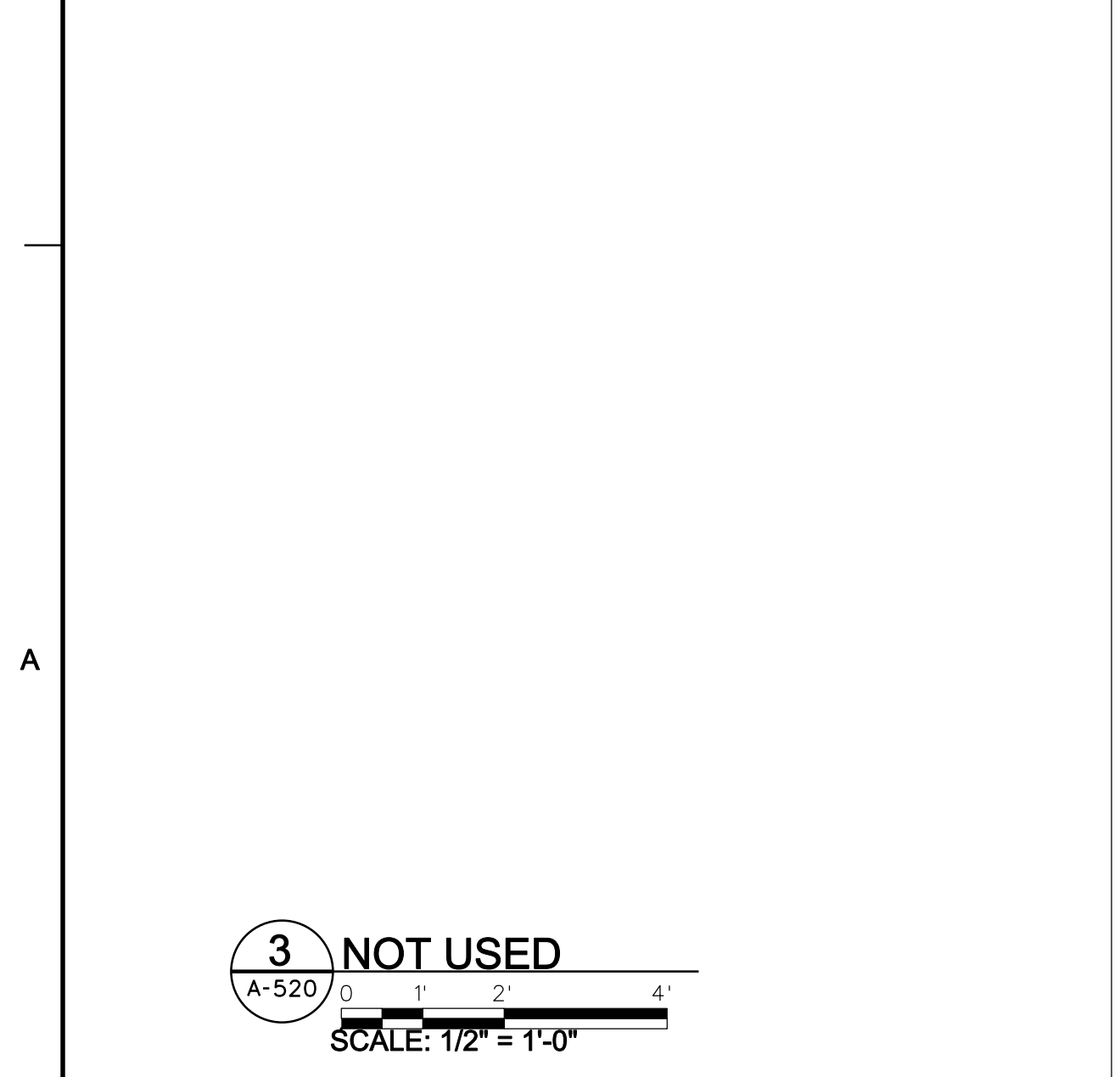


**A**



**B**

**6 MEN, RM 138**  
 A-520 0 1' 2' 4'  
 SCALE: 1/2" = 1'-0"



**3 NOT USED**  
 A-520 0 1' 2' 4'  
 SCALE: 1/2" = 1'-0"



MARK	DESCRIPTION	DATE	APPR.
A	65% PRE-FINAL DESIGN	7/29/09	
B	100% FINAL DESIGN	9/18/09	

DESIGNED BY: U.S. ARMY CORPS OF ENGINEERS HUNTSVILLE CENTER	DATE: 03-MARCH-2010 W912DY-08-R-003
DESIGNED BY: KIDORW NC	CONTRACT NO.:
SUBMITTED BY: STOA ARCHITECTS	W912DY-08-C-003
PLOT SCALE:	FILE NUMBER:
AS NOTED 3/3/2010	FILE NAME:
121 EAST GOVERNMENT STREET PENSACOLA, FL 32502	ANSI D FS_A-520.dgn

03 MARCH 2010 FINAL DESIGN ISSUED FOR CONSTRUCTION

15TH STREET FIRE STATION  
FORT STEWART, GEORGIA

INTERIOR ELEVATIONS



SHEET IDENTIFICATION  
**A-520**  
 SHEET 60 OF 117