

1

2

3

4

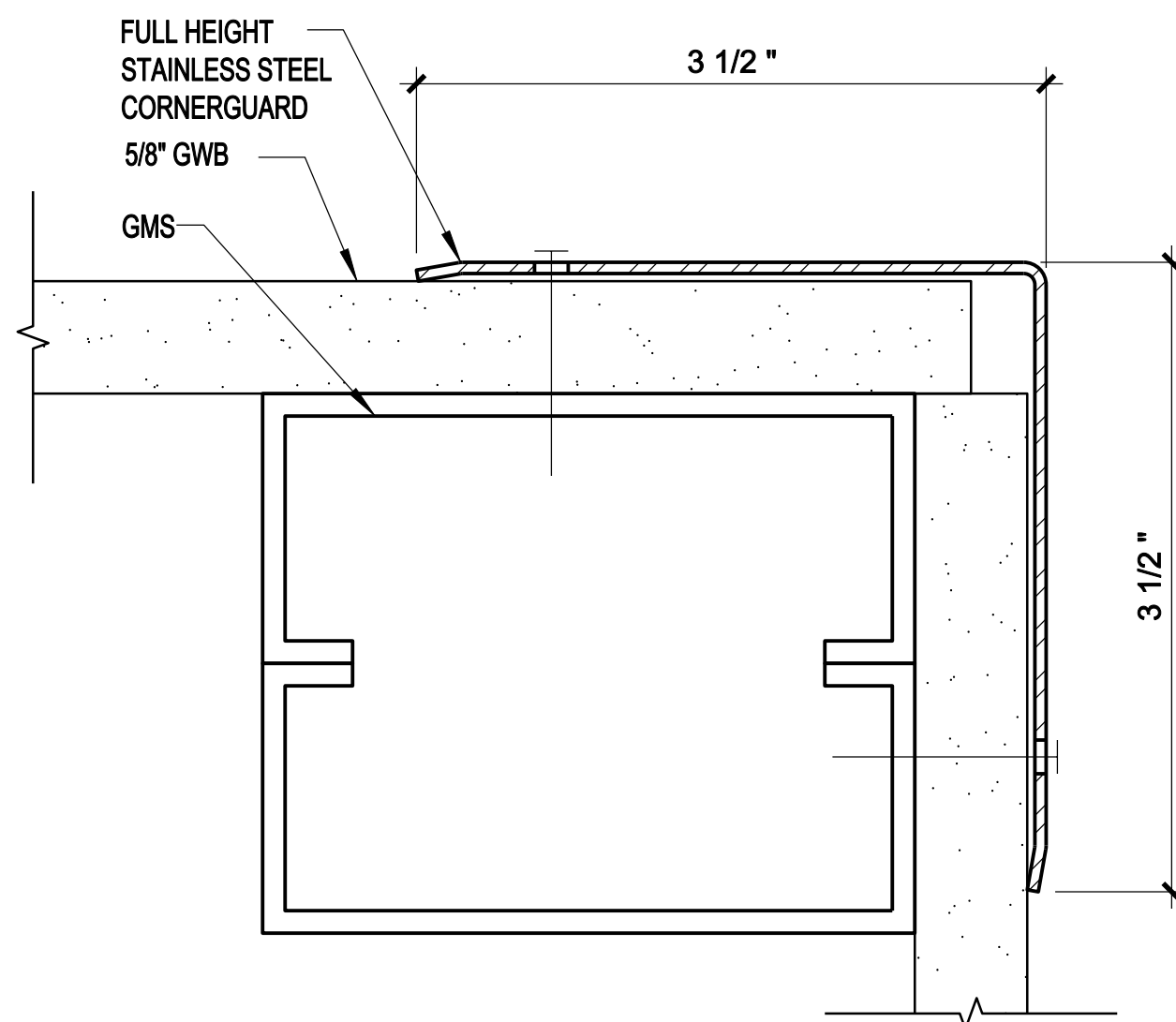
5

D

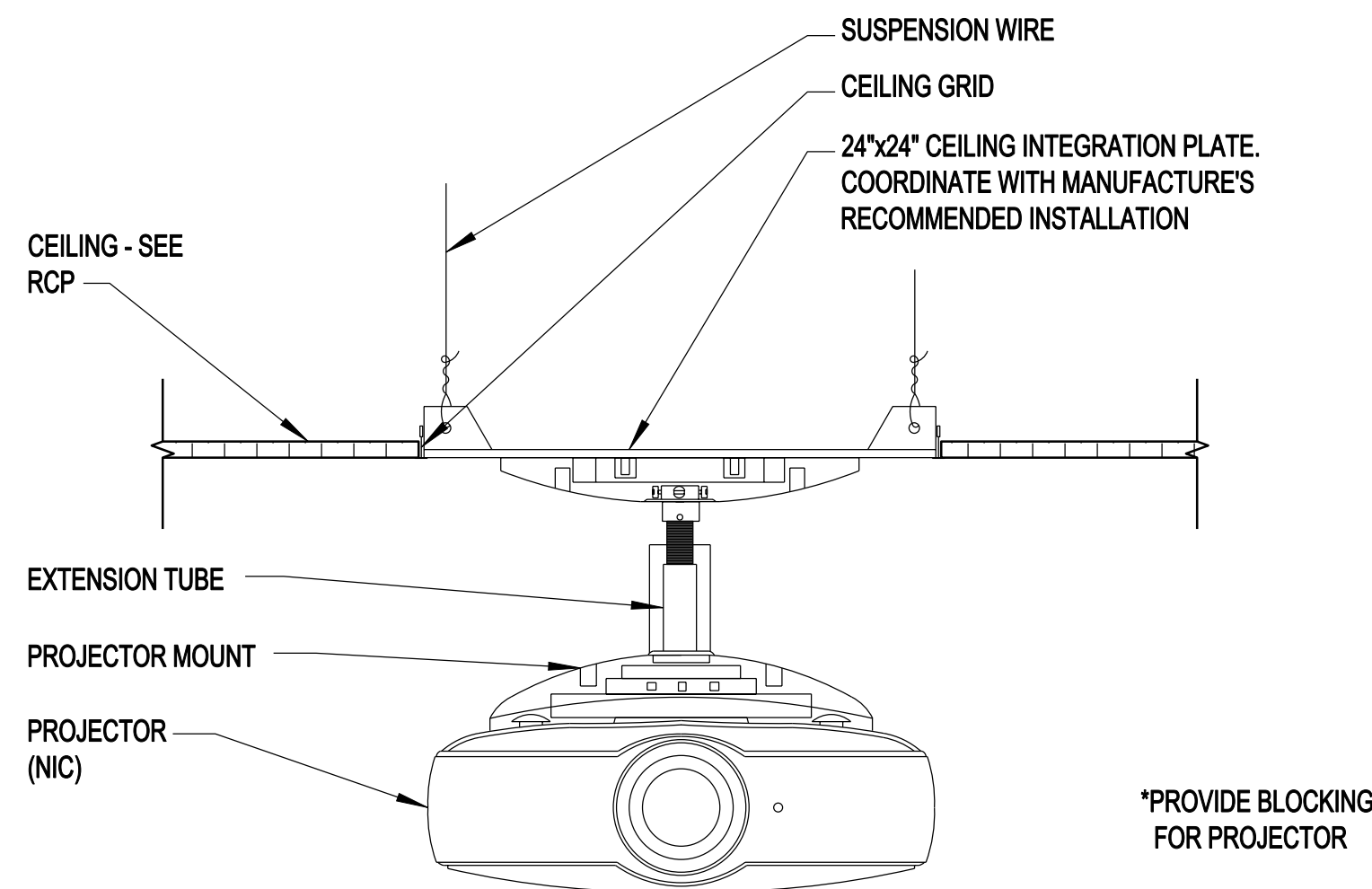
C

B

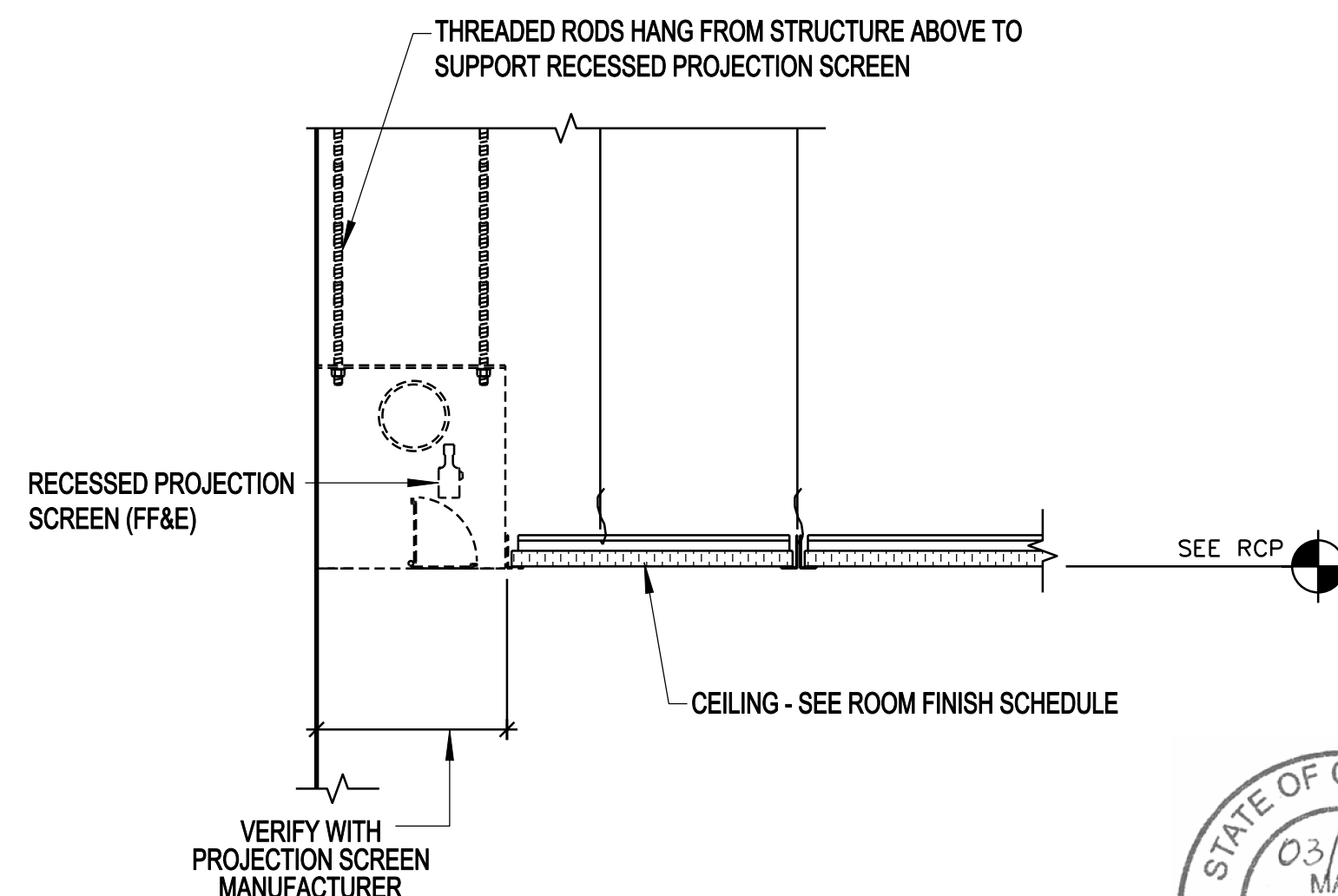
A



3 TYPICAL CORNER GUARD DETAIL
 A-502 0 1/2' 1' 2'
 SCALE: 1" = 1'-0"



2 PROJECTION SUPPORT DETAIL
 A-502 0 1/2' 1' 1 1/2'
 SCALE: 1-1/2" = 1'-0"



1 CEILING RECESS @ PROJECTOR SCREEN
 A-502 0 1/2' 1' 1 1/2'
 SCALE: 1-1/2" = 1'-0"



MARK	DATE	APPR.	DESCRIPTION
A	7/29/09		65% PRE-FINAL DESIGN
B	9/18/09		100% FINAL DESIGN

DESIGNED BY: U.S. ARMY CORPS OF ENGINEERS HUNTSVILLE CENTER	DESIGNED BY: KIDWELL NIC	DATE: 03-MARCH-2010 W912DY-08-A-003
CONTRACT NO.: W912DY-08-A-003	FILE NUMBER: AS NOTED 3/3/2010	FILE NAME: FS_A-502.dgn
STOA ARCHITECTS 121 EAST GOVERNMENT STREET PENSACOLA, FL 32502		

03 MARCH 2010 FINAL DESIGN ISSUED FOR CONSTRUCTION
 15TH STREET FIRE STATION
 FORT STEWART, GEORGIA

ARCHITECTURAL DETAILS

SHEET IDENTIFICATION
A-502
 SHEET 57 OF 117