

1

2

3

4

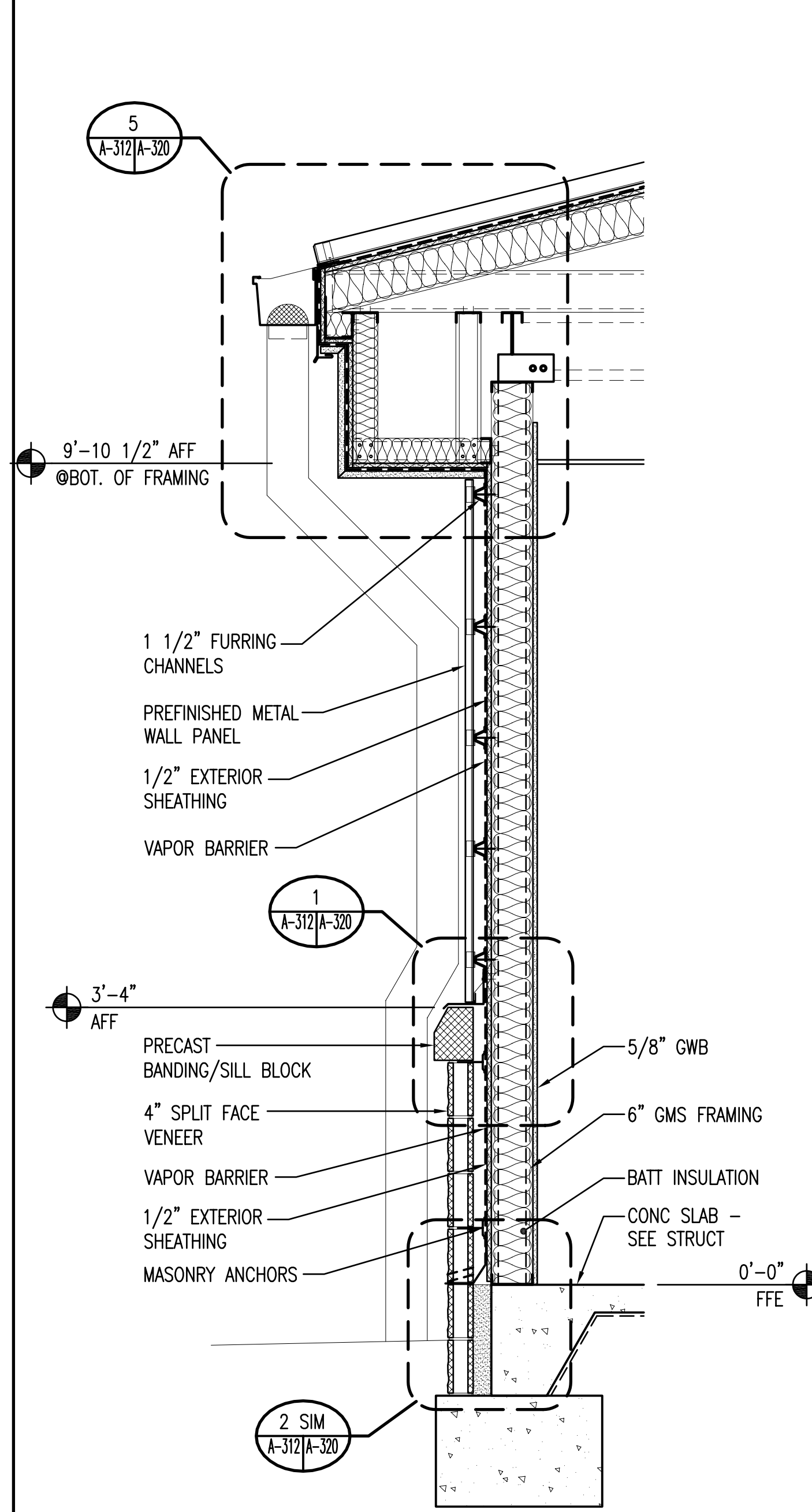
5

D

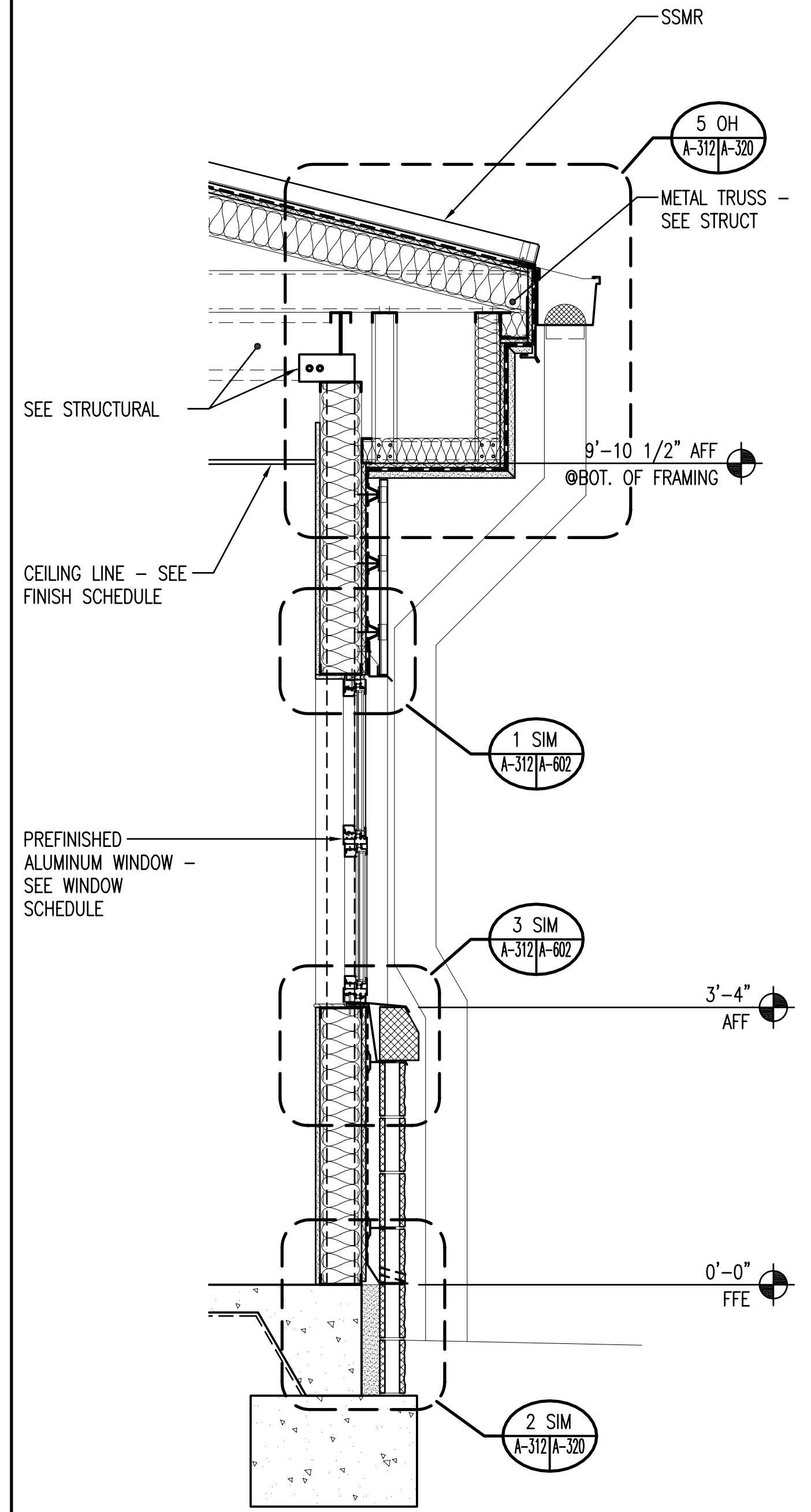
C

B

A



1 WALL SECTION  
 A-301 | A-312 1'-4" 8" 0' 1'-4" 2'-8"  
 SCALE: 3/4" = 1'-0"



2 WALL SECTION  
 A-301 | A-312 1'-4" 8" 0' 1'-4" 2'-8"  
 SCALE: 3/4" = 1'-0"



03 MARCH 2010 FINAL DESIGN ISSUED FOR CONSTRUCTION



MARK	DESCRIPTION	DATE	APPR.
A	65% PRE-FINAL DESIGN	7/29/09	
B	100% FINAL DESIGN	9/18/09	

DESIGNED BY: U.S. ARMY CORPS OF ENGINEERS HUNTSVILLE CENTER	DESIGNED BY: FIM DRAWN BY: NIC	DATE: 03/03/10	CONTRACT NO. 1: W912DY-09-2-0033
STOA ARCHITECTS 121 EAST GOVERNMENT STREET PENSACOLA, FL 32502	FILE NUMBER: AS NOTED	FILE NAME: ANSID	

15TH STREET FIRE STATION  
 FORT STEWART, GEORGIA

WALL SECTIONS

SHEET IDENTIFICATION  
**A-312**  
 SHEET 47 OF 117