

1

2

3

4

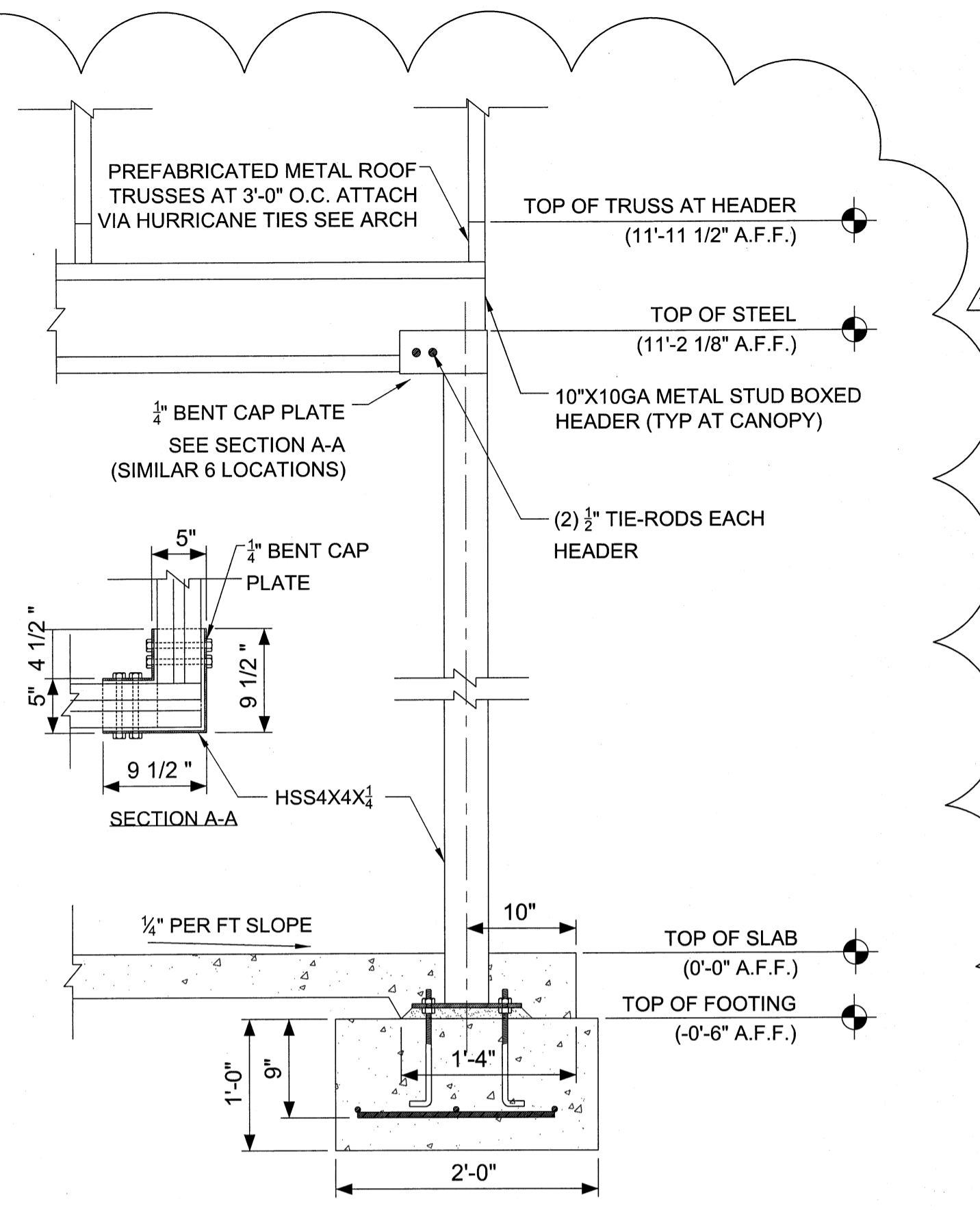
5

D

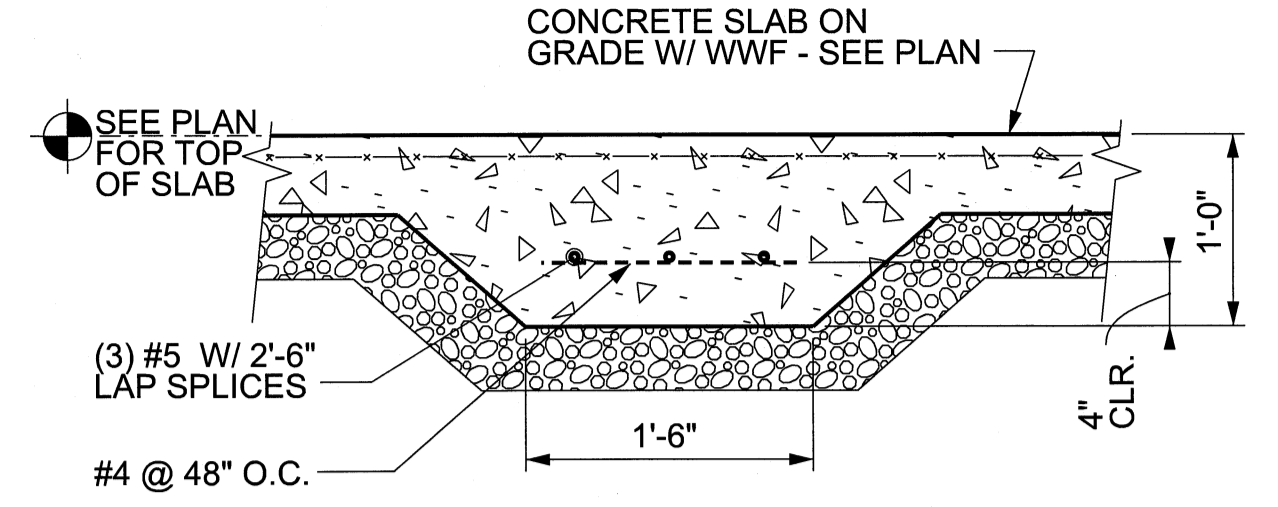
C

B

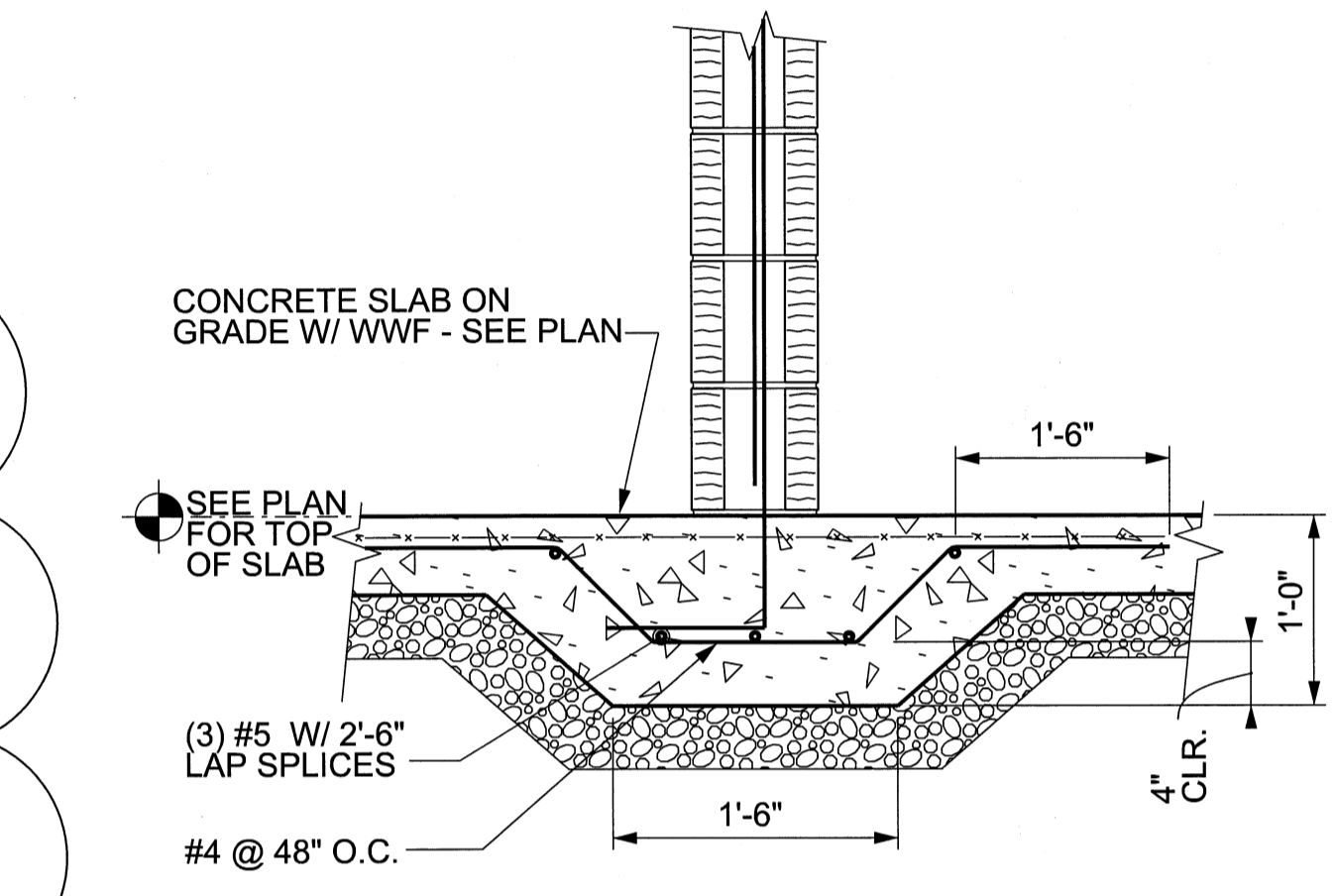
A



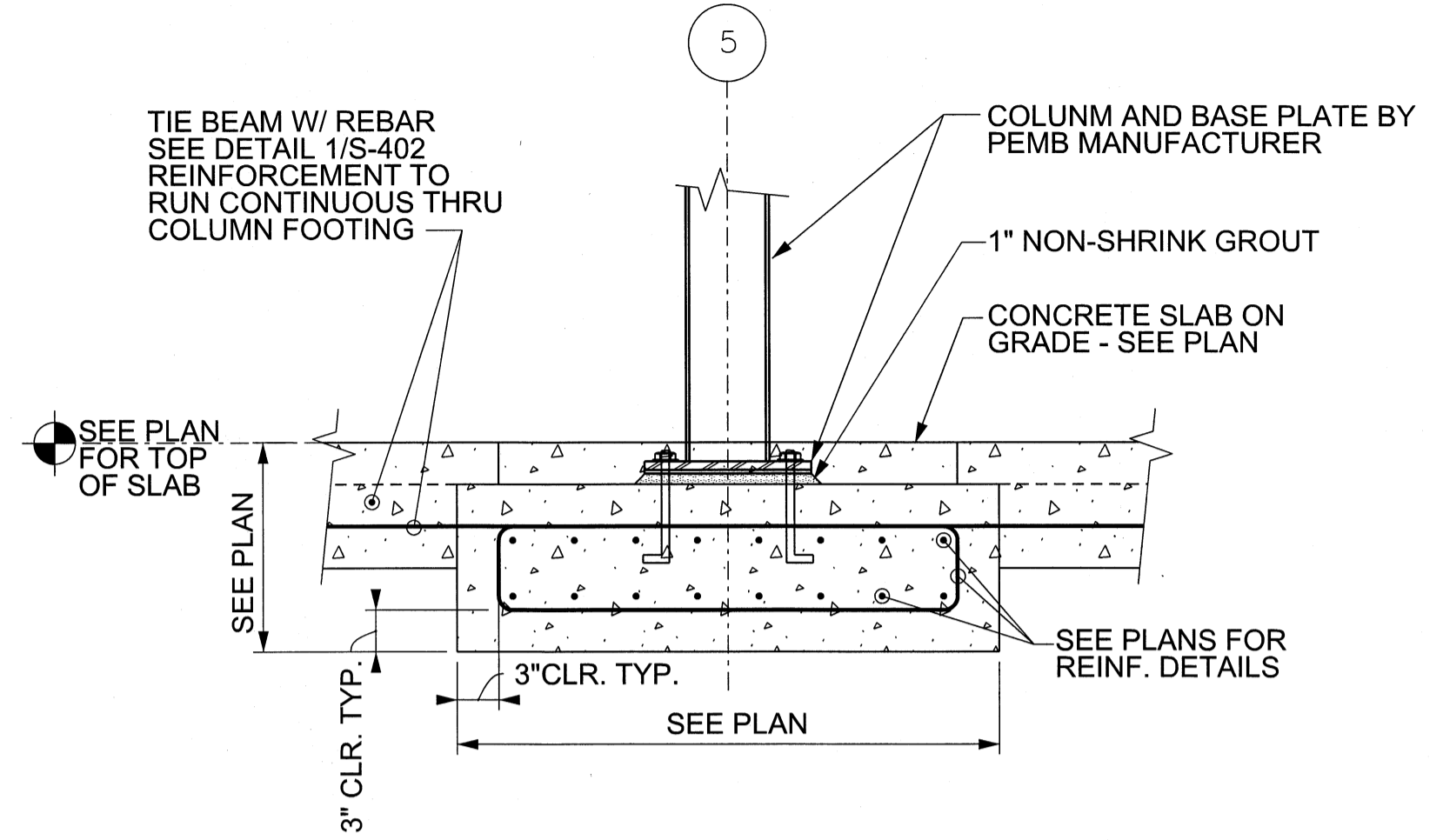
6 SECTION - CANOPY/FRONT ENTRY AT POST  
S-402 SCALE: 1" = 1'-0"



1 SECTION - TIE BEAM BETWEEN COLUMNS  
S-402 SCALE: 1" = 1'-0"



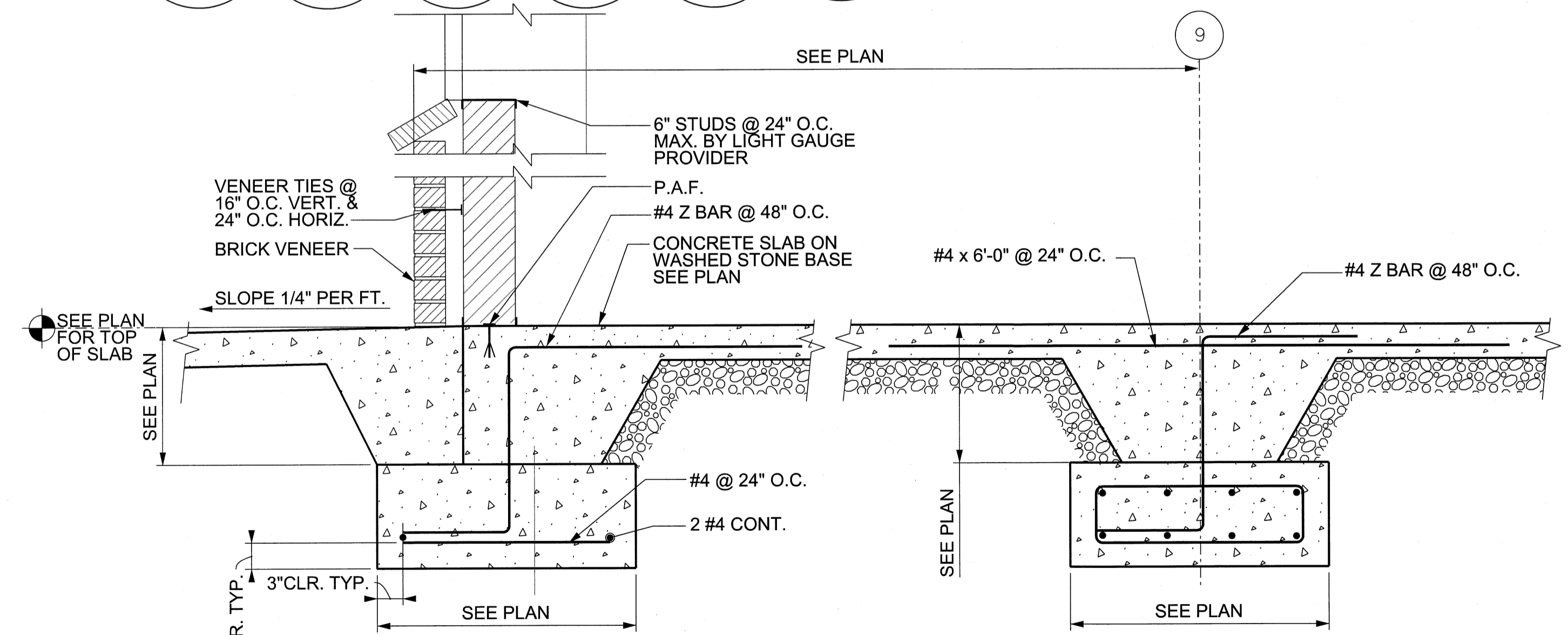
2 THICKENED SLAB AT MASONRY PARTITIONS  
S-402 SCALE: 1" = 1'-0"



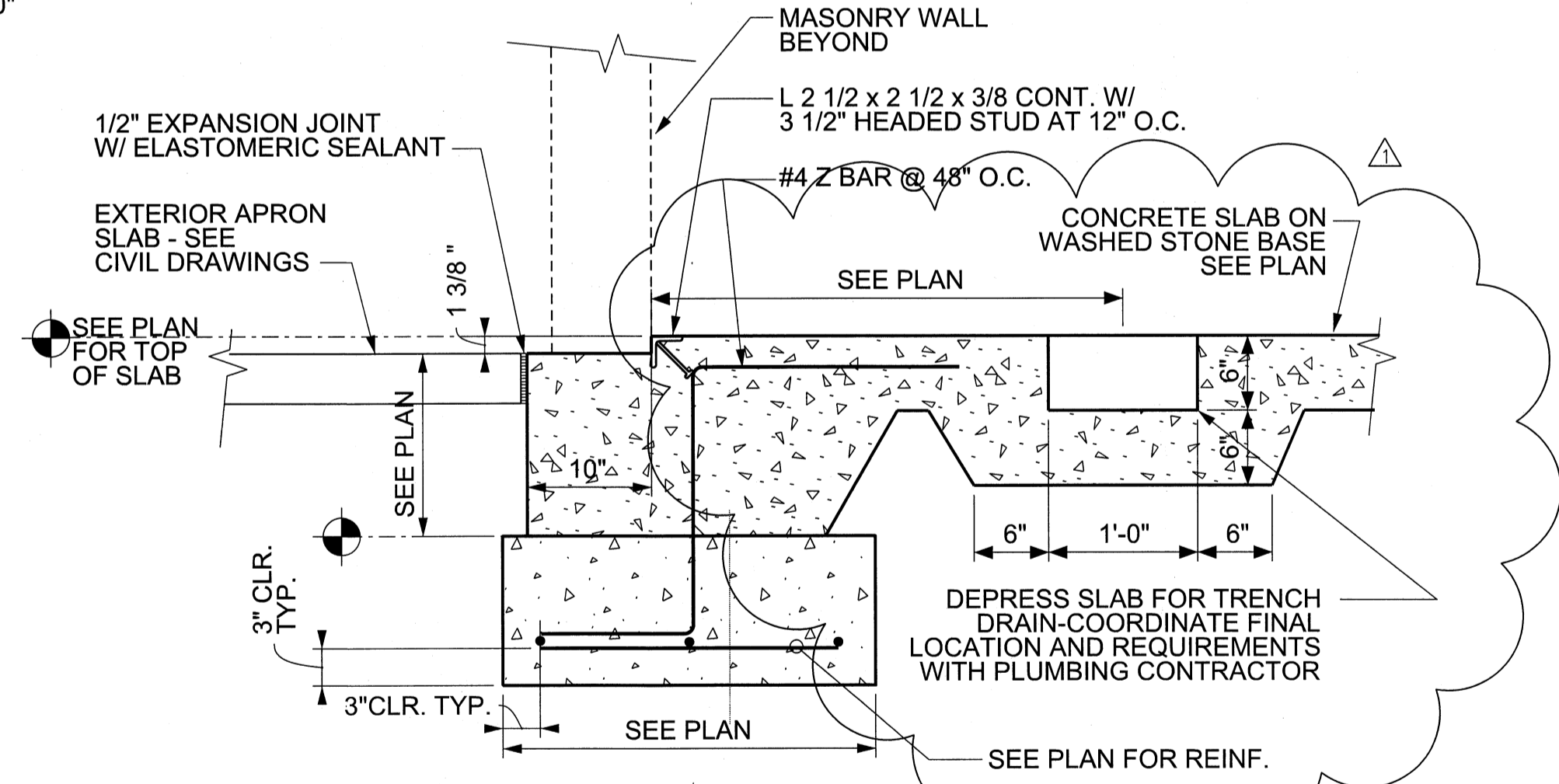
3 SECTION AT COL. LINE 5 GRADE BEAM  
S-402 SCALE: 1" = 1'-0"

LINTEL SCHEDULE		
WALL CONSTRUCTION	WALL CONSTRUCTION	DESCRIPTION
4" BRICK	LESS THAN 4'-0"	1 - L4" x 3 1/2" x 5/16" (LLV)
4" BRICK	4'-0" TO 7'-0"	1 - L6" x 3 1/2" x 5/16" (LLV)
6" CMU	LESS THAN 7'-0"	8" DP. BOND BM. W/ 2 - #5
8" CMU	LESS THAN 7'-0"	8" DP. BOND BM. W/ 2 - #5
12" CMU	LESS THAN 7'-0"	8" DP. BOND BM. W/ 2 - #5

NOTES:  
 1) ALL LINTELS TO BEAR 8" (MIN.) AT SUPPORT FOR OPENINGS UP TO 54" WIDE AND BEAR 16" (MIN.) FOR OPENINGS OVER 54" WIDE.  
 2) TABLES DO NOT APPLY WHERE HEAVY CONCENTRATED LOADS ARE APPLIED ABOVE LINTEL OR WHERE OTHERWISE NOTED ON DRAWINGS.  
 3) FILL BOND BEAM W/ 3000 PSI (@ 28 DAYS) GROUT.



5 SECTION AT VESTIBULE  
S-402 SCALE: 1" = 1'-0"



4 SECTION AT APPARATUS BAY ROLL UP DOOR  
S-402 SCALE: 1" = 1'-0"



DATE	APPR	MARK	DESCRIPTION
3/03/10			MISC. STRUCTURAL REVISIONS
9/04/09			DESIGN COMPLETE SUBMITTAL

DATE: 28-JULY-2008	CONTRACT NO. W912D7-06-C-0003
DESIGNED BY: KCI TECHNOLOGIES	FILE NUMBER: XX-X-XXXXX
DWN BY: KCI TECHNOLOGIES	PLOT SCALE: AS NOTED
SUBMITTED BY: KCI TECHNOLOGIES	AS NOTED
ANSI ID	FILE NAME

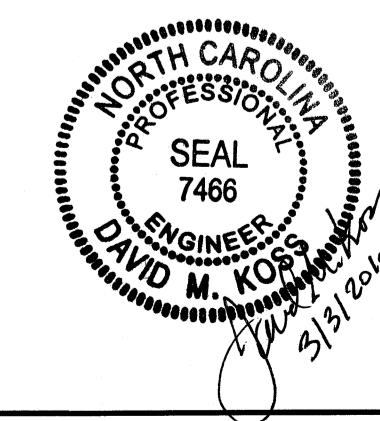
15TH STREET FIRE STATION  
FORT STEWART, GEORGIA

FOUNDATION DETAILS

SHEET IDENTIFICATION  
S-402  
SHEET 31 OF 117

ISSUED FOR CONSTRUCTION

DESIGN COMPLETE  
04 SEPT 2009



KCI Associates of North Carolina, PA  
Engineers • Planners • Scientists • Construction Managers  
4001 Six Forks Road, Landmark Center II, Suite 220  
Raleigh, NC 27609-5210  
Phone (919) 793-9214  
Fax (919) 793-9266  
www.kci.com

STOA Architects  
121 EAST GOVERNMENT STREET  
PENSACOLA, FL 32502 (850)432-1912