

1 FIRE PROTECTION PLAN  
SCALE: 1/8" = 1'-0"

- FIRE PROTECTION NOTES:**
- ALL SITE UTILITIES ARE SHOWN IN APPROXIMATE LOCATIONS ONLY. LOCATION AND INVERT ELEVATION IN FIELD BEFORE BEGINNING WORK.
  - ALL SUSPENDED PIPING SHALL BE SUPPORTED FROM FLOOR AND/OR ROOF STRUCTURAL MEMBERS. IN NO CASE SHALL PIPING BE SUSPENDED FROM FLOOR AND ROOF DECK.
  - COORDINATE ALL WORK WITH OTHER TRADES.
  - PIPE STOP ALL PENETRATIONS OF FIRE RATED ASSEMBLIES.

**WET PIPE SPRINKLER SYSTEM**  
ALL AREAS OF THE BUILDING SHALL BE FULLY PROTECTED WITH AN AUTOMATIC WET PIPE SPRINKLER SYSTEM DESIGNED AND INSTALLED IN ACCORDANCE WITH NFPA 13 AND THE DESIGN DATA BELOW. THE CONTRACTOR SHALL VERIFY THE EXISTING SPRINKLER SYSTEM AND PROVIDE THE APPROXIMATE LOCATION OF THE SPRINKLER RISER IN THE MECHANICAL ROOM IS SHOWN.

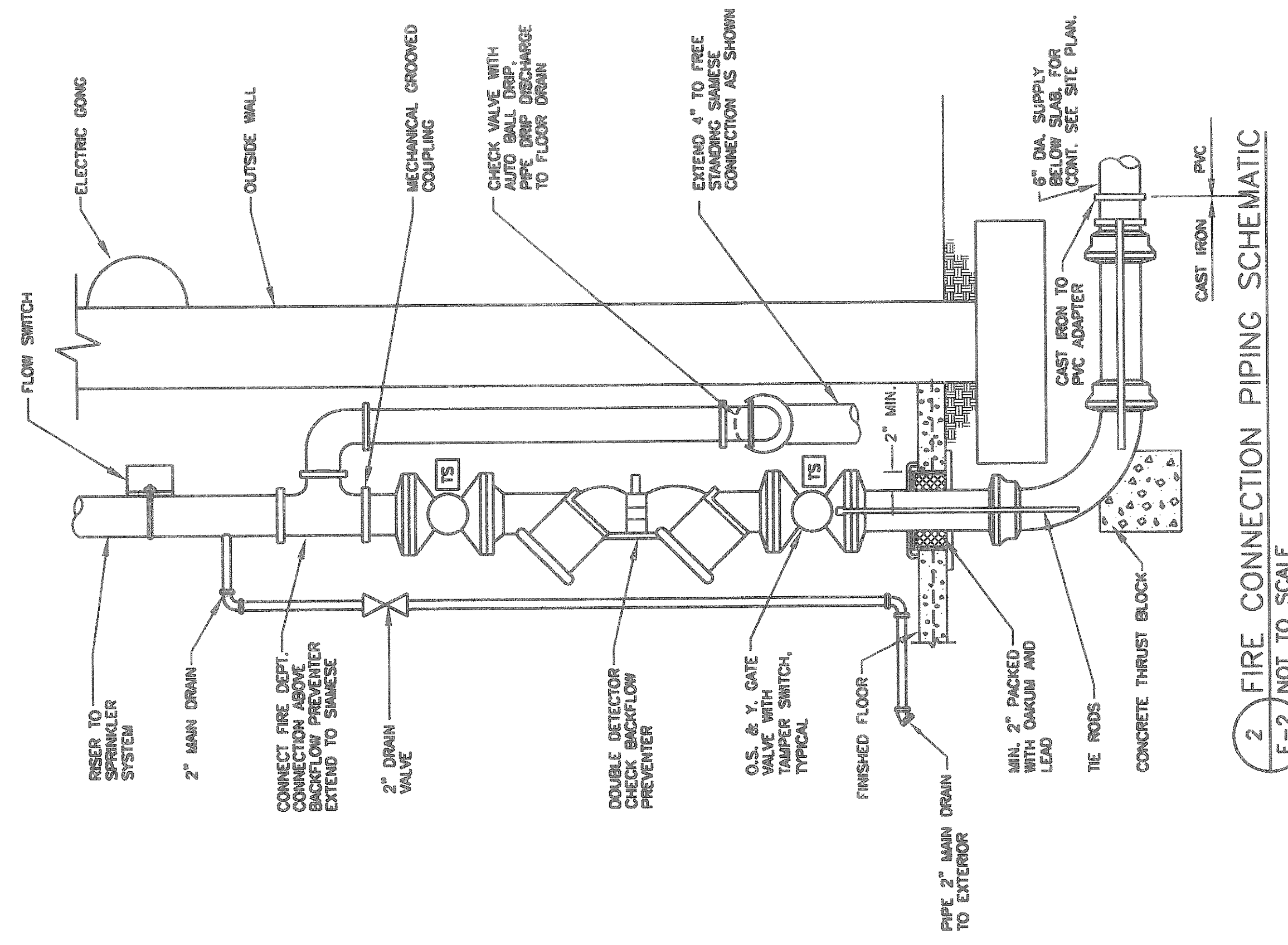
**HAZARD CLASSIFICATIONS AND DESIGN REQUIREMENTS**  
HAZARD CLASSIFICATIONS FOR THIS BUILDING ARE LISTED ABOVE IN THE SPRINKLER HAZARD CLASSIFICATION SCHEDULE.

HAZARD	DENSITY	AREA
ORD HAZ 1	.10 CPA/SQ. FT.	3000 SQ. FT.
	.15 CPA/SQ. FT.	3000 SQ. FT.

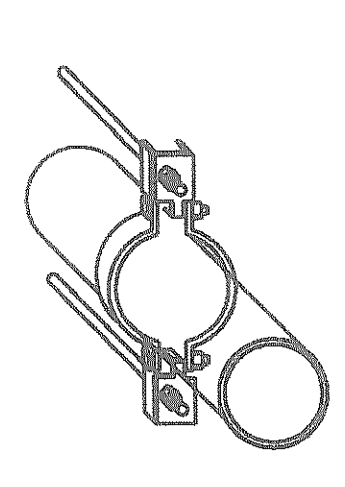
THE CONTRACTOR SHALL LOCATE THE SYSTEM WITHIN THE INSULATED ENVELOPE OF THE BUILDING.  
THE EXTERIOR HOSE STREAM REQUIREMENT BASED ON LIGHT HAZ 1 IS 250 CPAL.  
THE EXTERIOR HOSE STREAM REQUIREMENT BASED ON ORD HAZ 1 IS 500 CPAL.

**FIRE FLOW DATA**  
FIRE FLOW DATA FOR THIS SITE: STAIRS: 97 PSL, RESIDUAL: 91 PSL, FLOOR: 435 CPAL

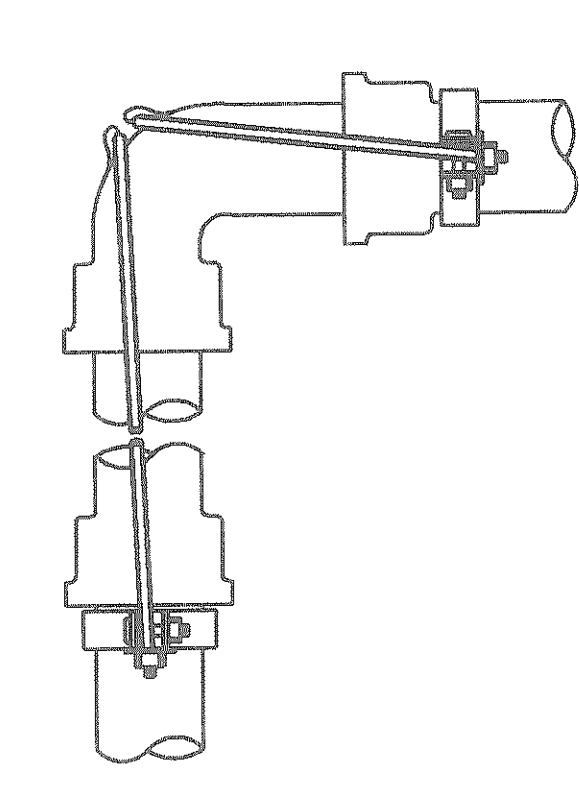
SPRINKLER HAZARD CLASSIFICATIONS	HAZARD
ROOM OR AREA	HAZARD
FACILITY ALL AREAS EXCEPT AS NOTED BELOW	LIGHT HAZARD
MECHANICAL, ELECTRICAL AND STORAGE ROOMS, SERVICE ROOMS, STOCK ROOMS AND SUPPLY ROOMS	ORDINARY HAZARD 1



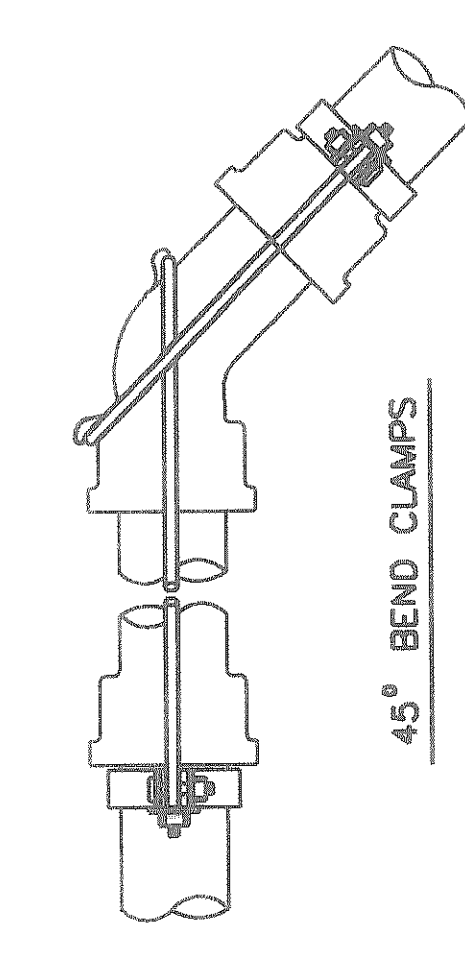
2 FIRE CONNECTION PIPING SCHEMATIC  
SCALE: F-2 / NOT TO SCALE



PIPE CLAMPS No. 1

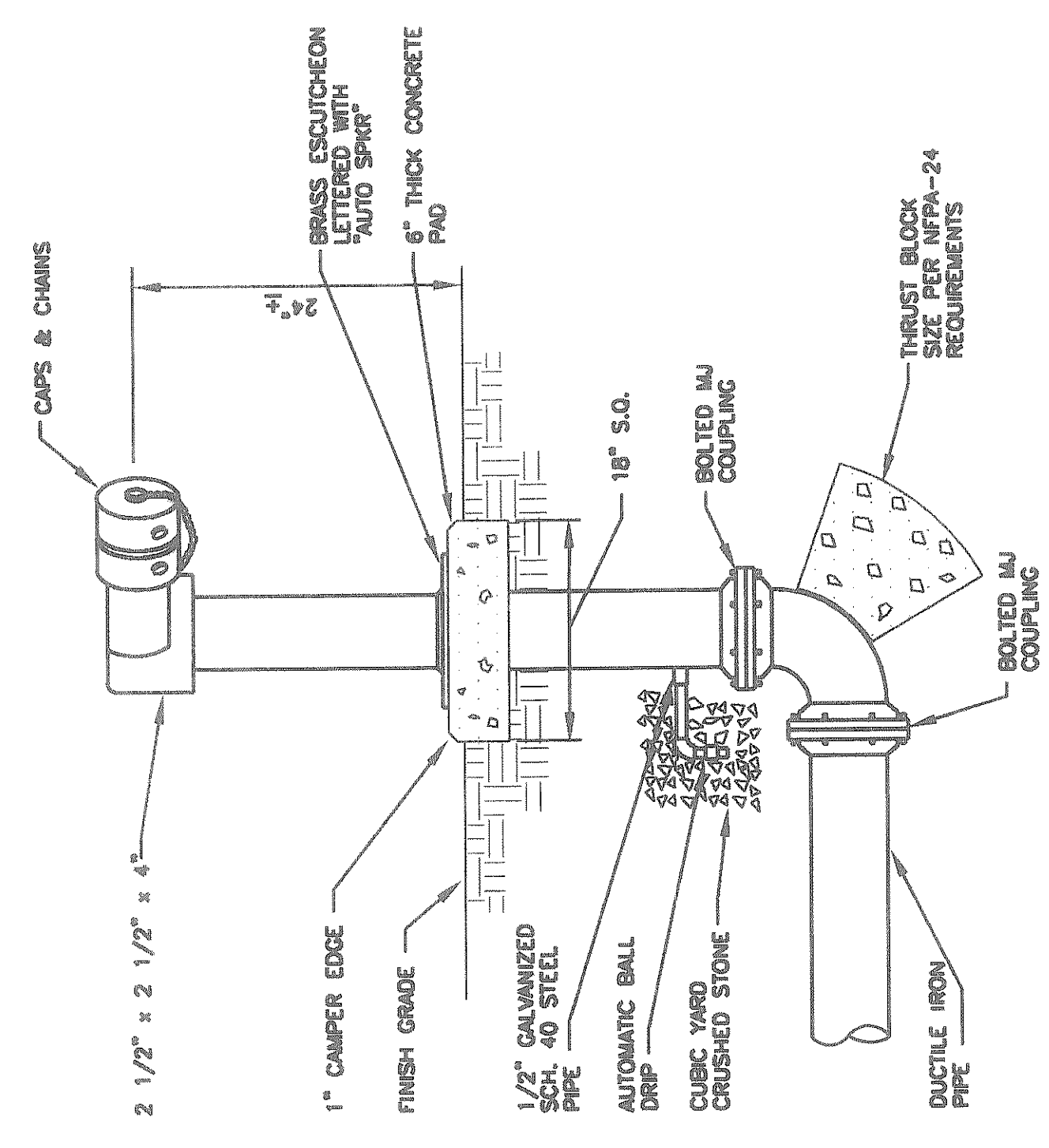


90° BEND CLAMPS



45° BEND CLAMPS

3 TIE ROD - DETAILS  
SCALE: F-2 / NOT TO SCALE



4 FREE STANDING SIAMESE DETAIL  
SCALE: F-2 / NOT TO SCALE

REVISION	DATE	DESCRIPTION	BY

**OFFICE OF THE ENGINEER**  
FT. STEWART, GEORGIA

RENOVATION TO BUILDING 443  
**FIRE PROTECTION PLAN**  
FT. STEWART, GEORGIA

LIBERTY COUNTY  
SCALE: F-2 / NOT TO SCALE

DESIGN BY: JCB  
DATE: APRIL 13, 2009

FS 3081  
SHEET 52 OF 52

	F-2	
--	-----	--

SF-51-4J