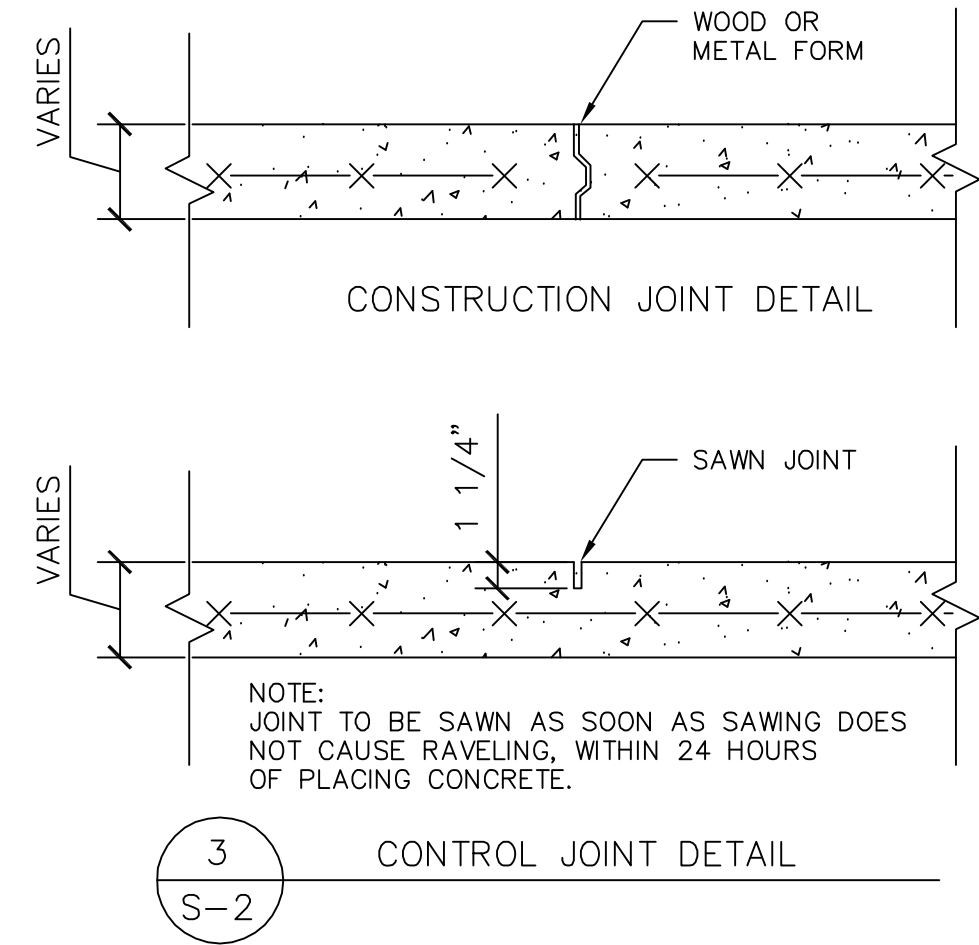


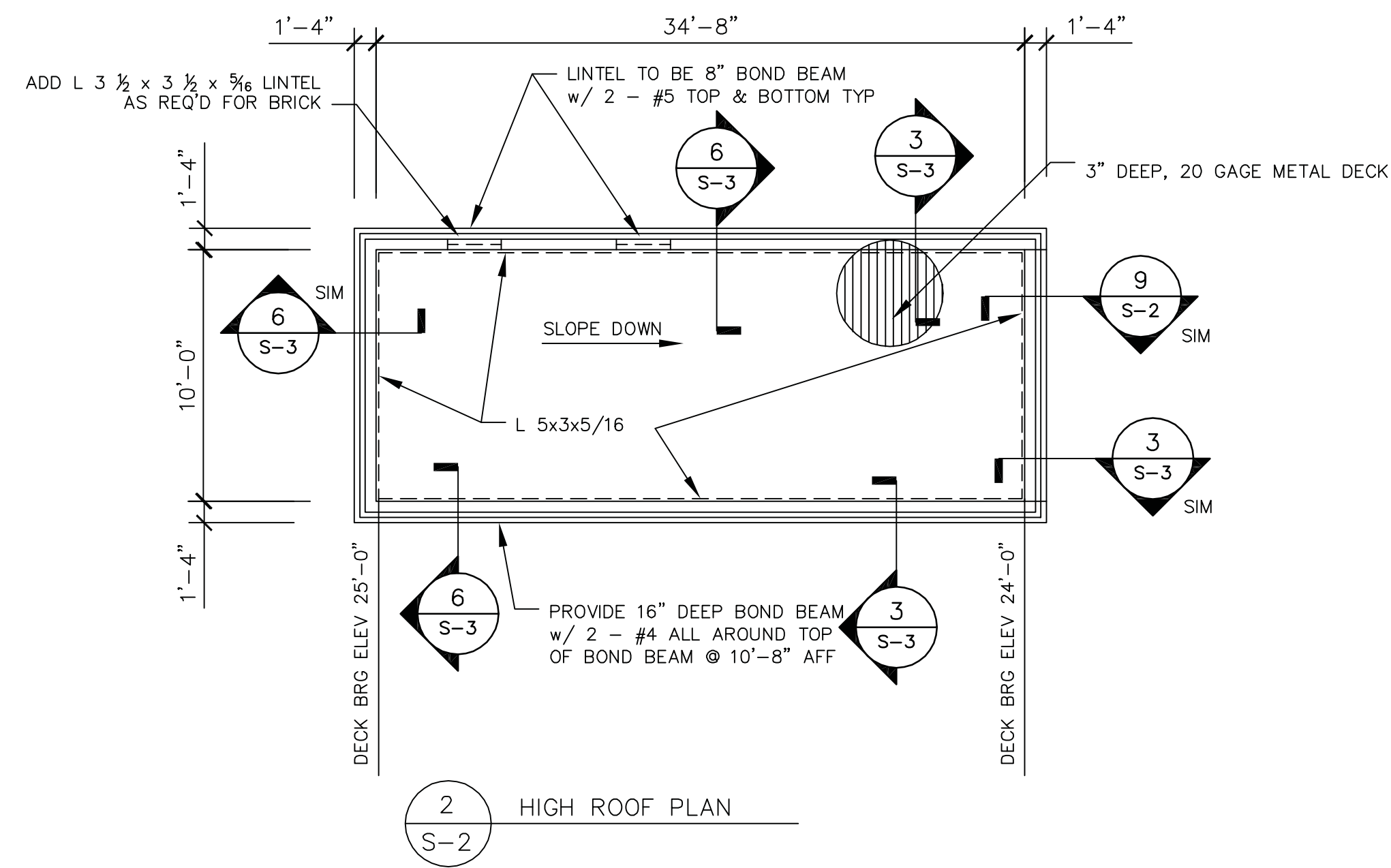
1 FOUNDATION PLAN
 S-1
 1/8" = 1'-0"

FOOTING SCHEDULE							
MARK	SIZE	THICKNESS	REINFORCING EACH WAY	MARK	SIZE	THICKNESS	REINFORCING EACH WAY
A	2'-8" x 2'-8"	20"	6 - #4	E	8'-0" x 8'-0"	24"	10 - #7
B	4'-0" x 4'-0"	20"	7 - #5	F	9'-0" x 9'-0"	24"	7 - #9
C	5'-0" x 5'-0"	20"	8 - #5				
D	6'-0" x 6'-0"	20"	10 - #5				

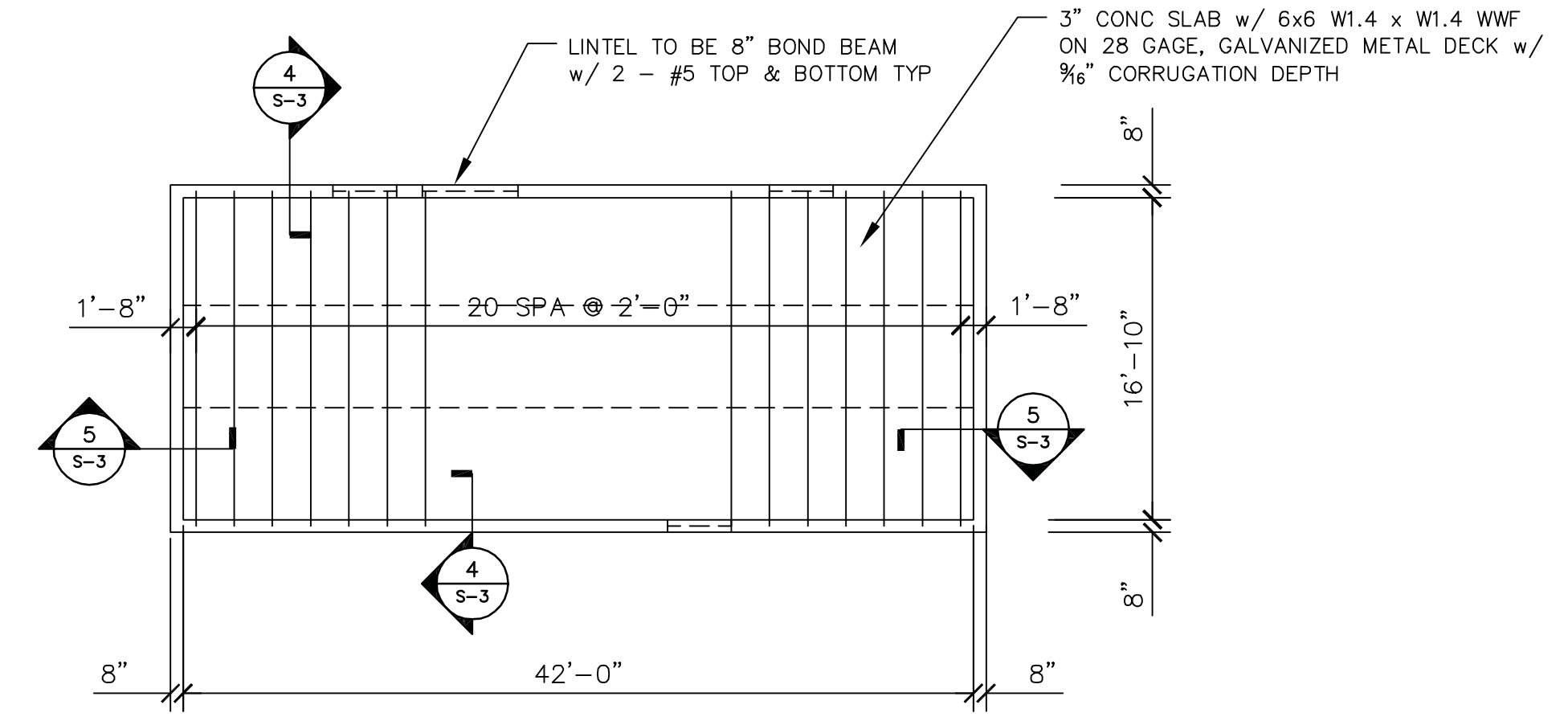
GENERAL NOTES
 SOIL BEARING PRESSURE = 1500 PSF
 CONCRETE = 3000 PSI @ 28 DAYS
 REINFORCING STEEL = ASTM A615, GRADE 60
 GROUT = 3000 PSF
 CMU = FILL 1500 PSI



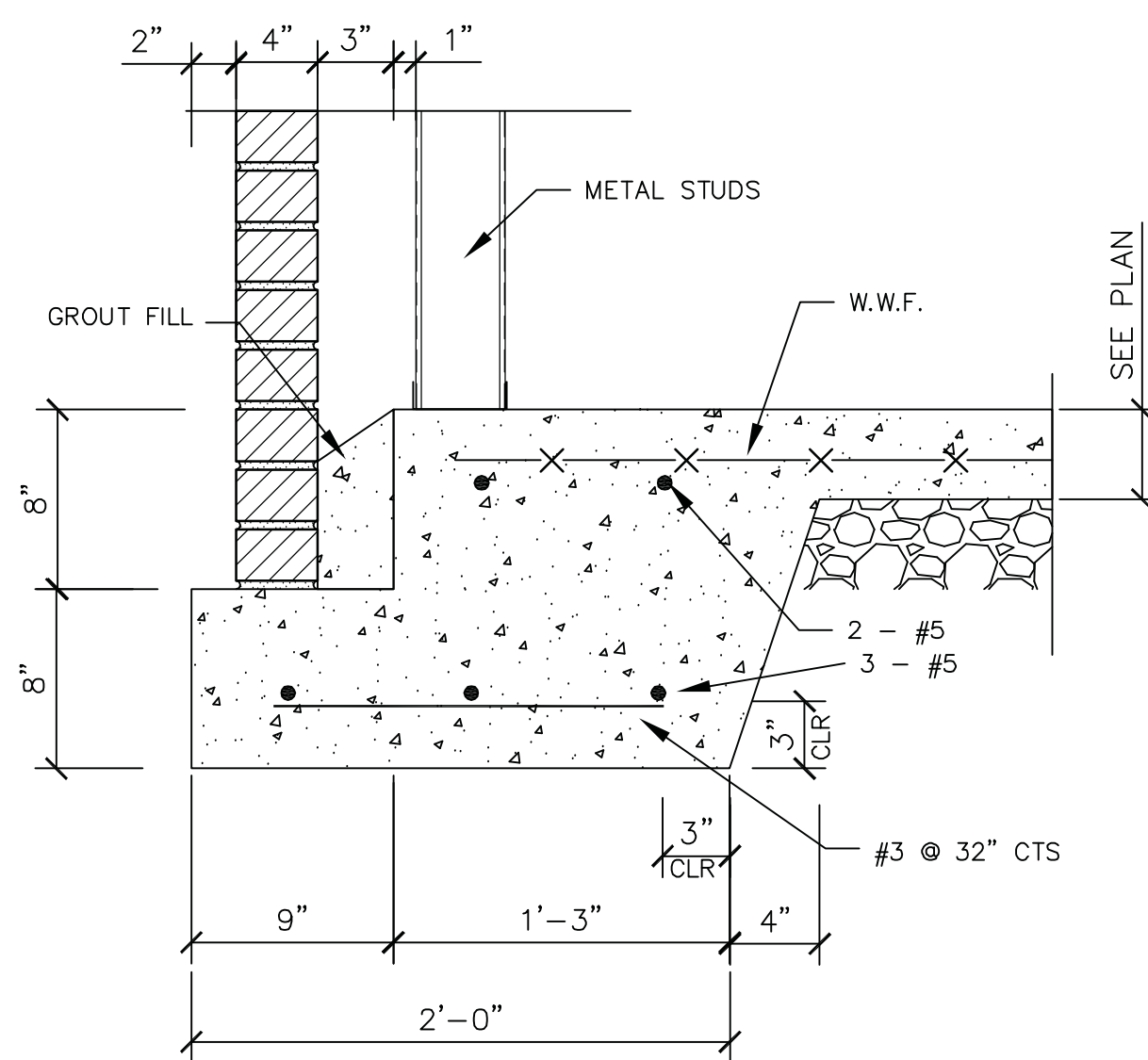
3 CONTROL JOINT DETAIL
S-2



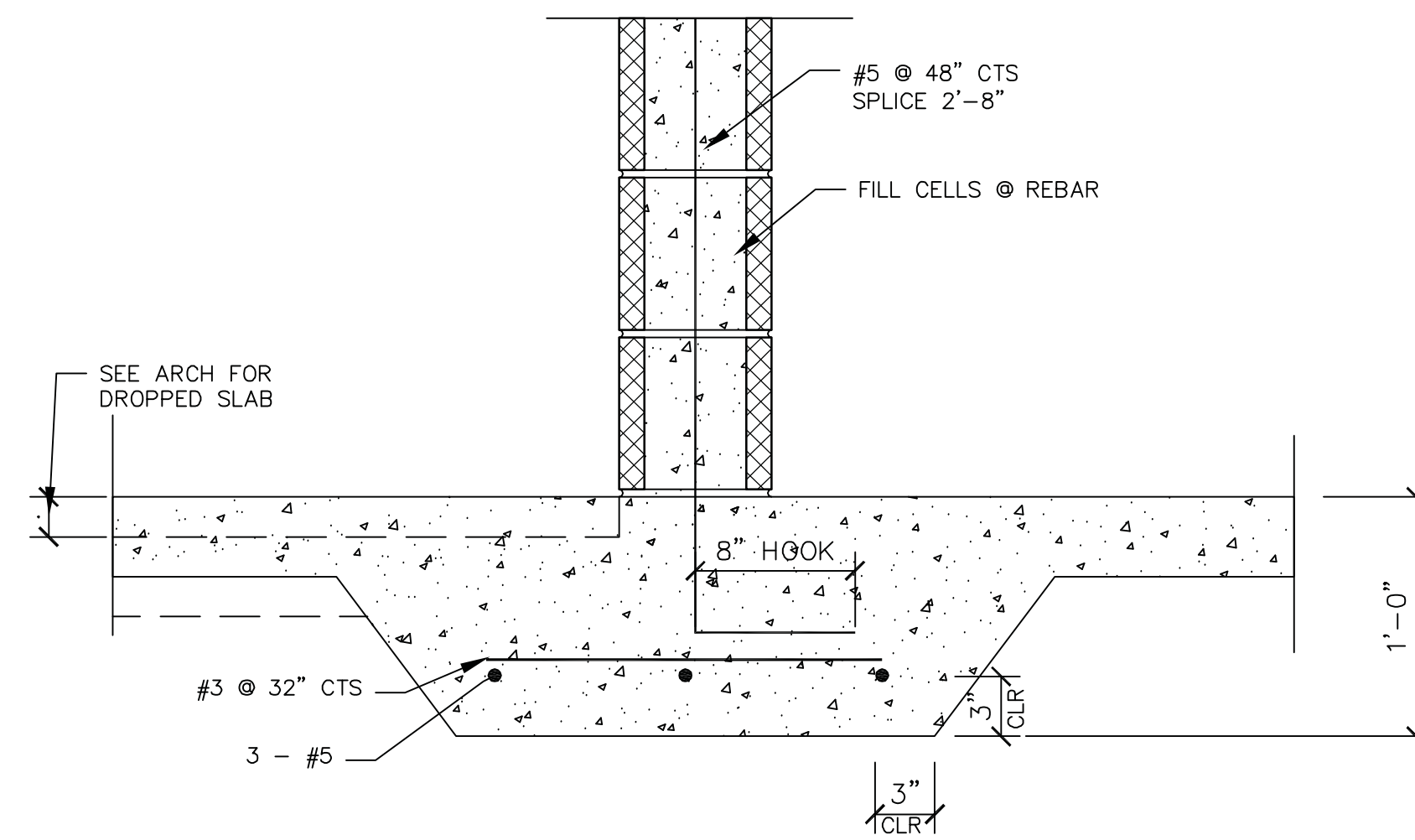
2 HIGH ROOF PLAN
S-2



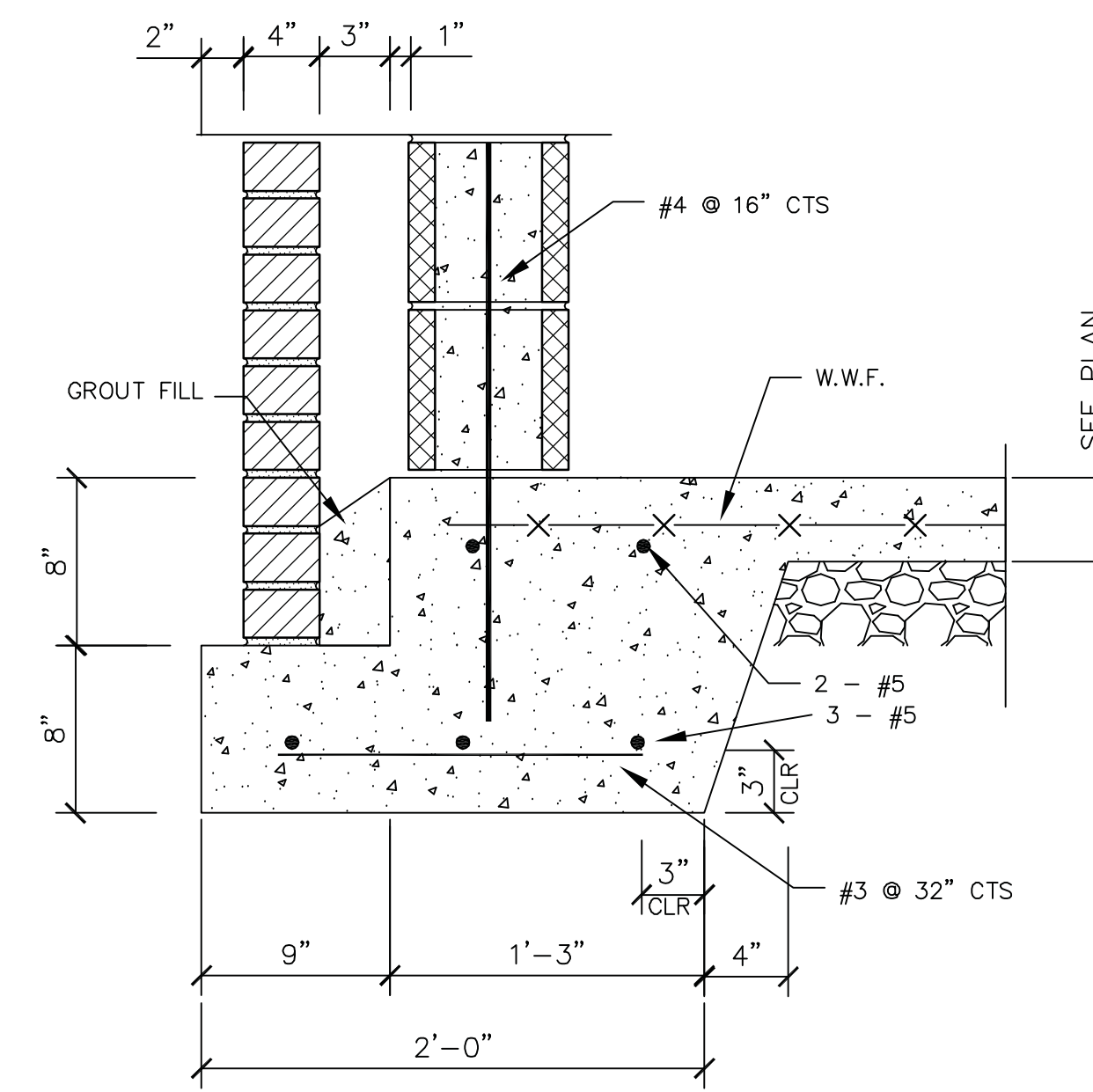
1 MECHANICAL PLATFORM FRAMING
S-2



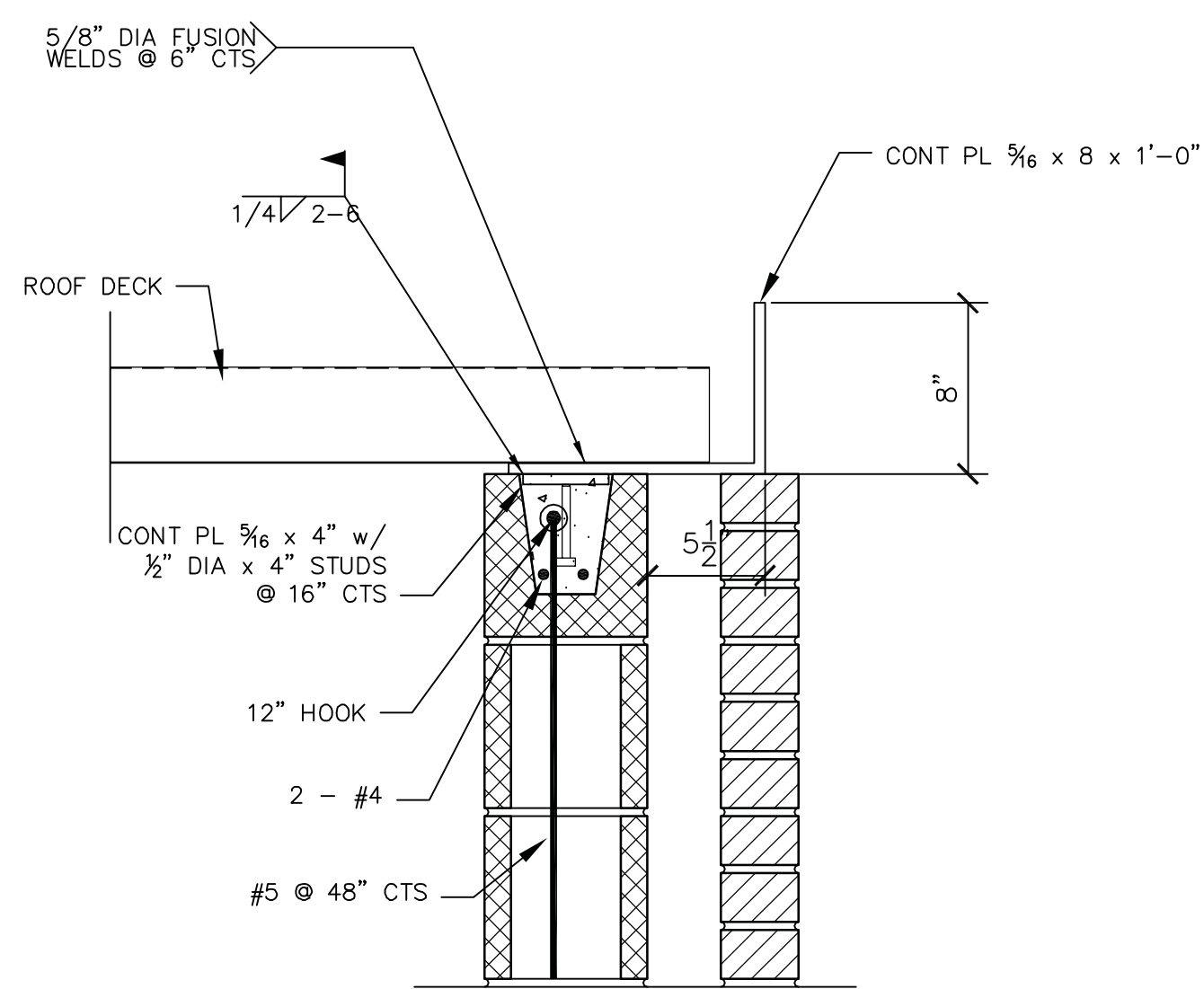
6 SLAB EDGE DETAIL @ OFFICE
S-2



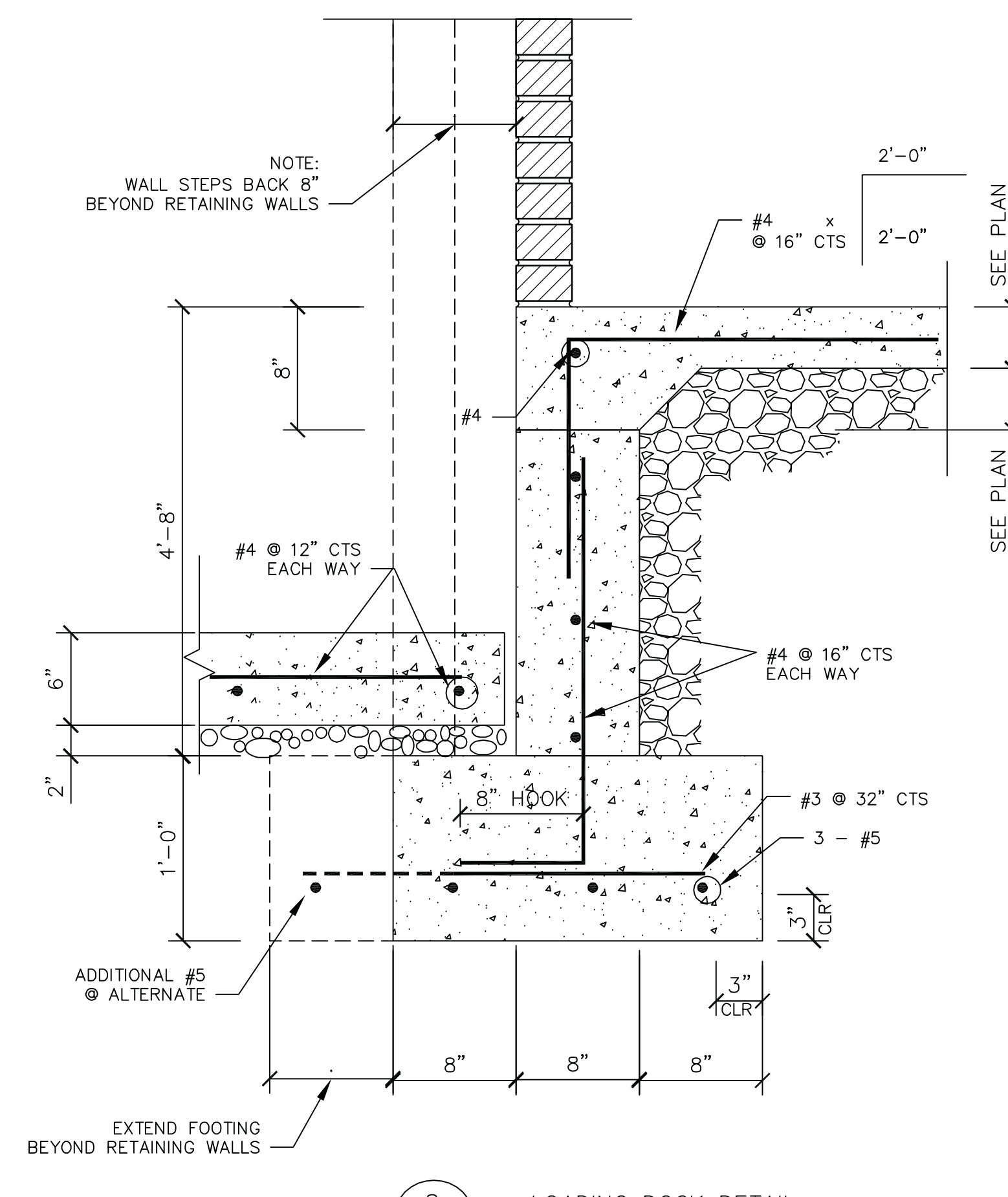
5 THICKENED SLAB DETAIL
S-2



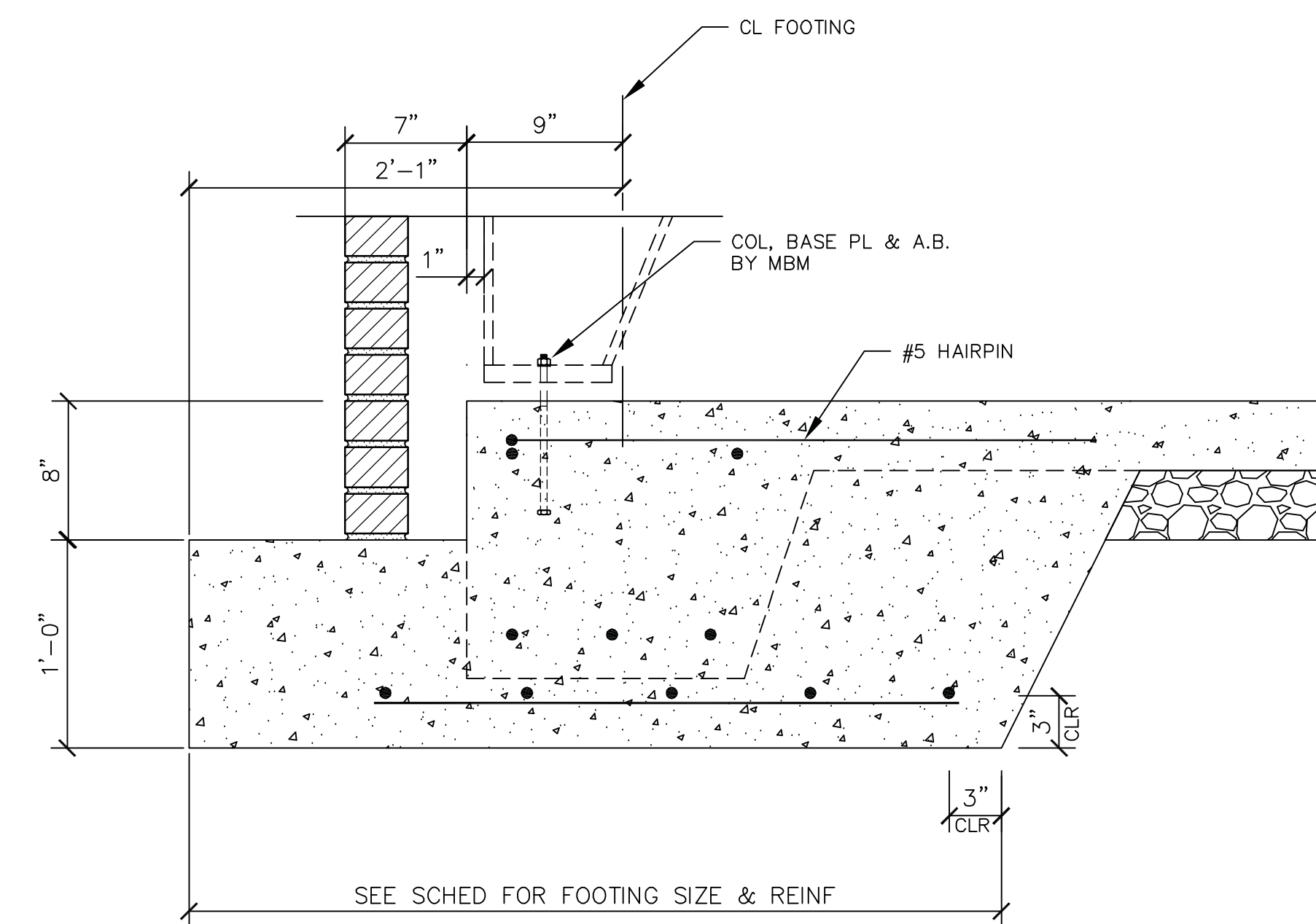
4 SLAB EDGE DETAIL @ FACTORY & AT HIGH ROOF AREA
S-2



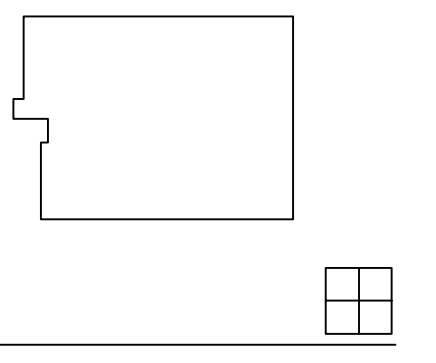
9 DECK BEARING DETAIL
S-2

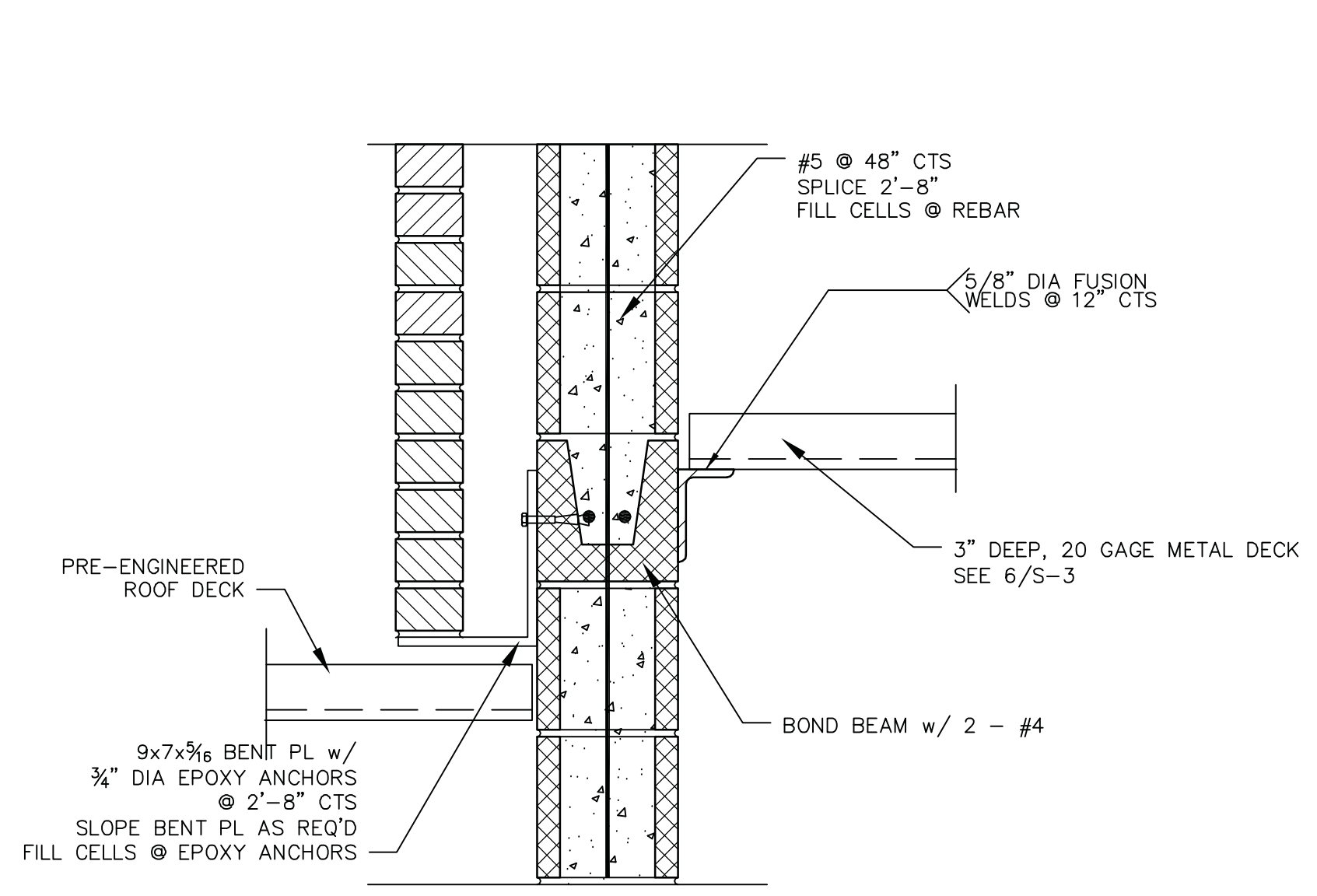


8 LOADING DOCK DETAIL
S-2

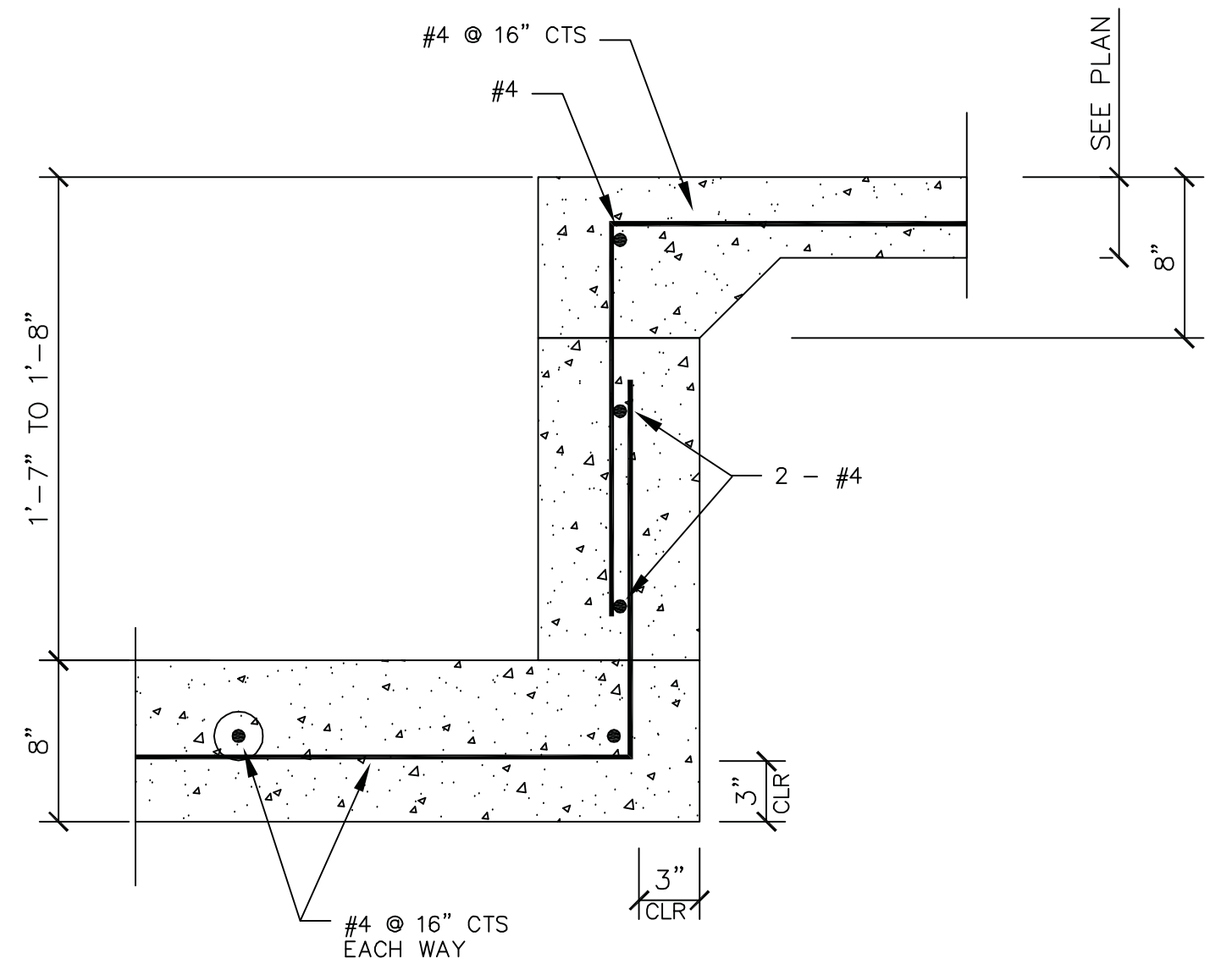


7 EXTERIOR COL FOOTING DETAIL ALT-1
S-2

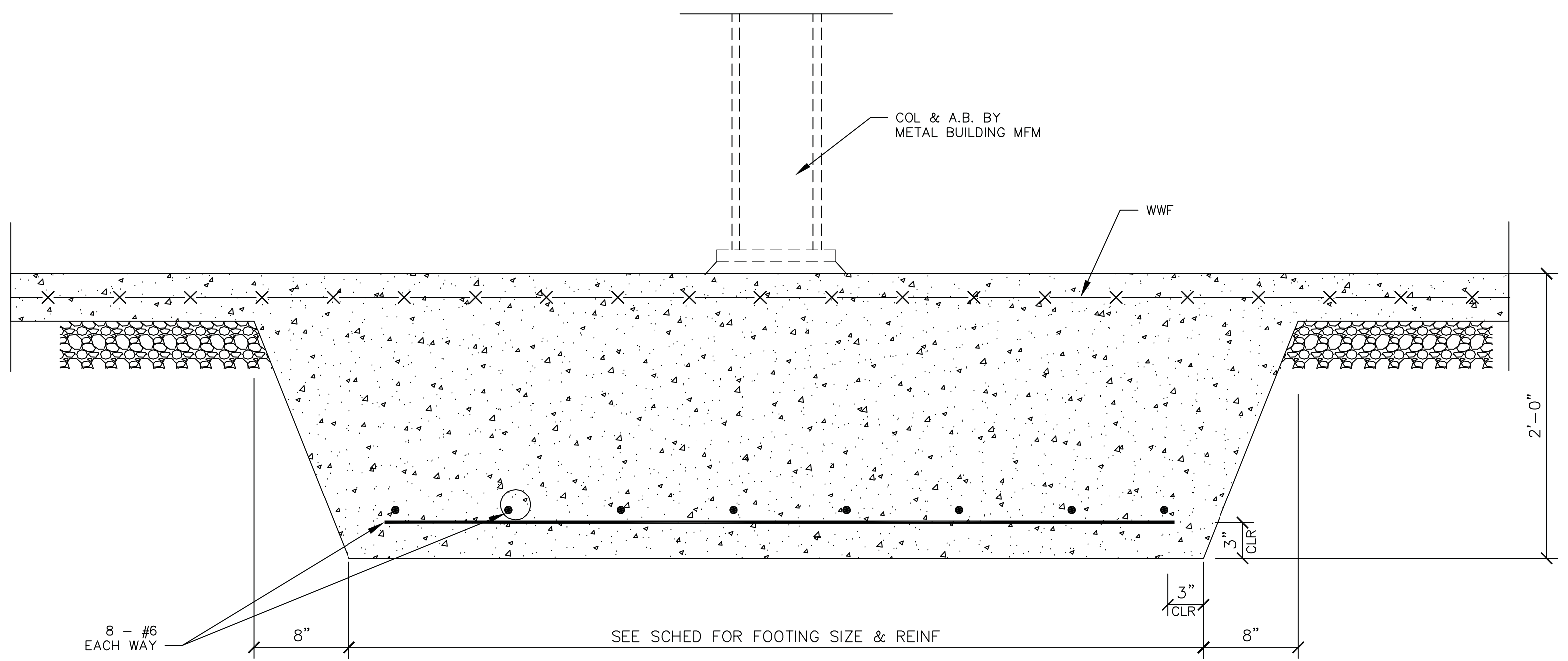




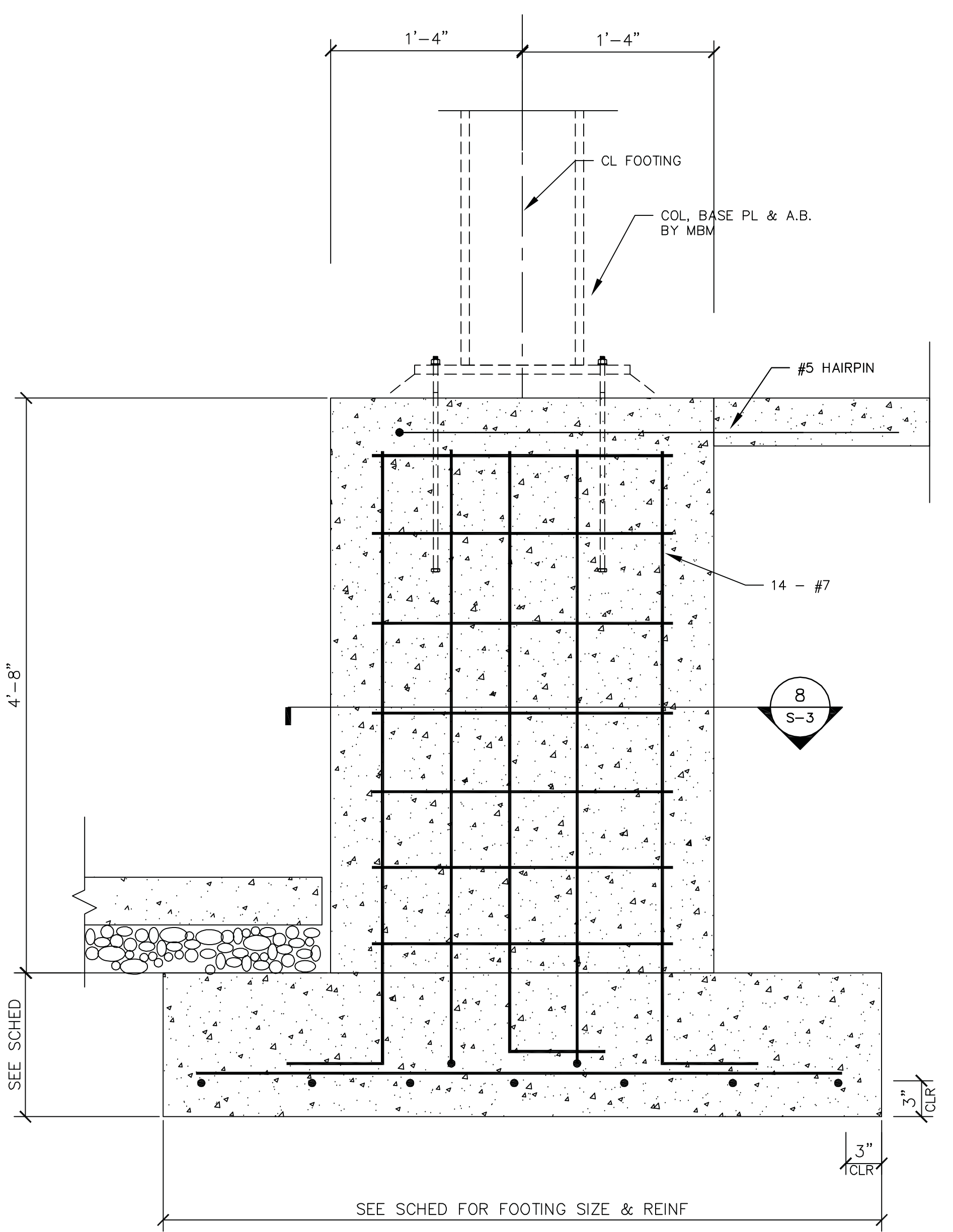
3 BRICK SUPPORT DETAIL
S-3



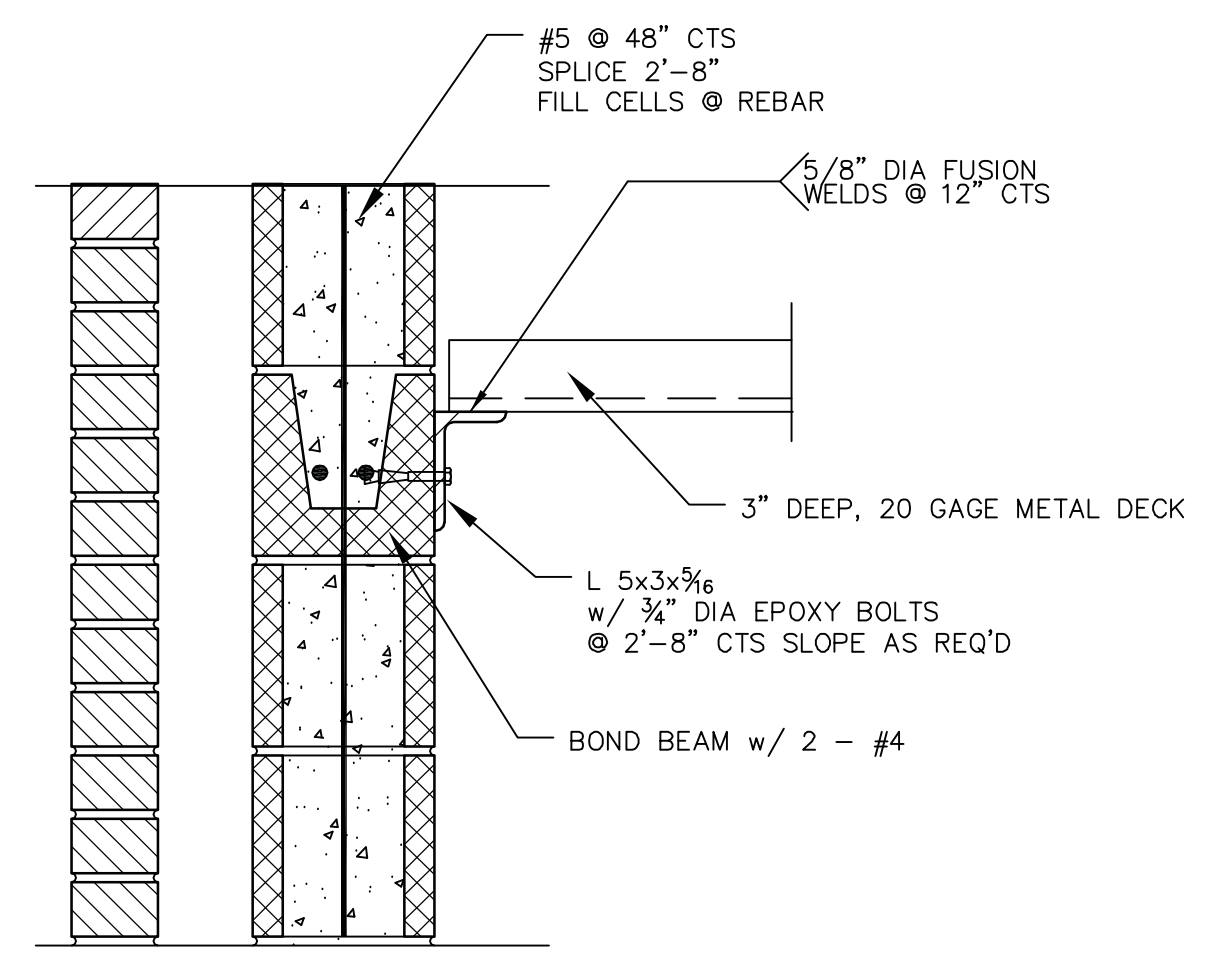
2 DOCK LEVELER DETAIL
S-3



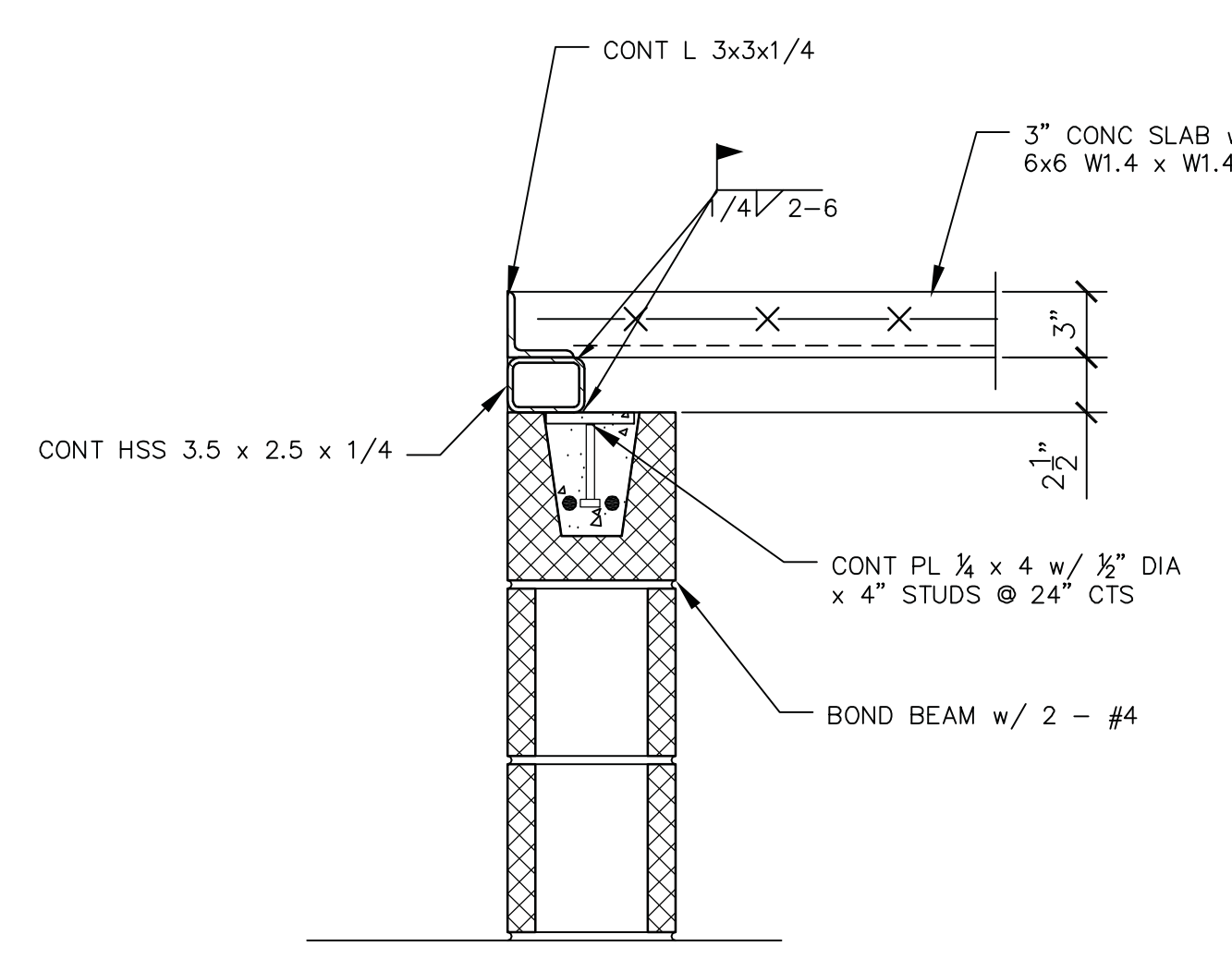
1 INTERIOR COL FOOTING DETAIL
S-3



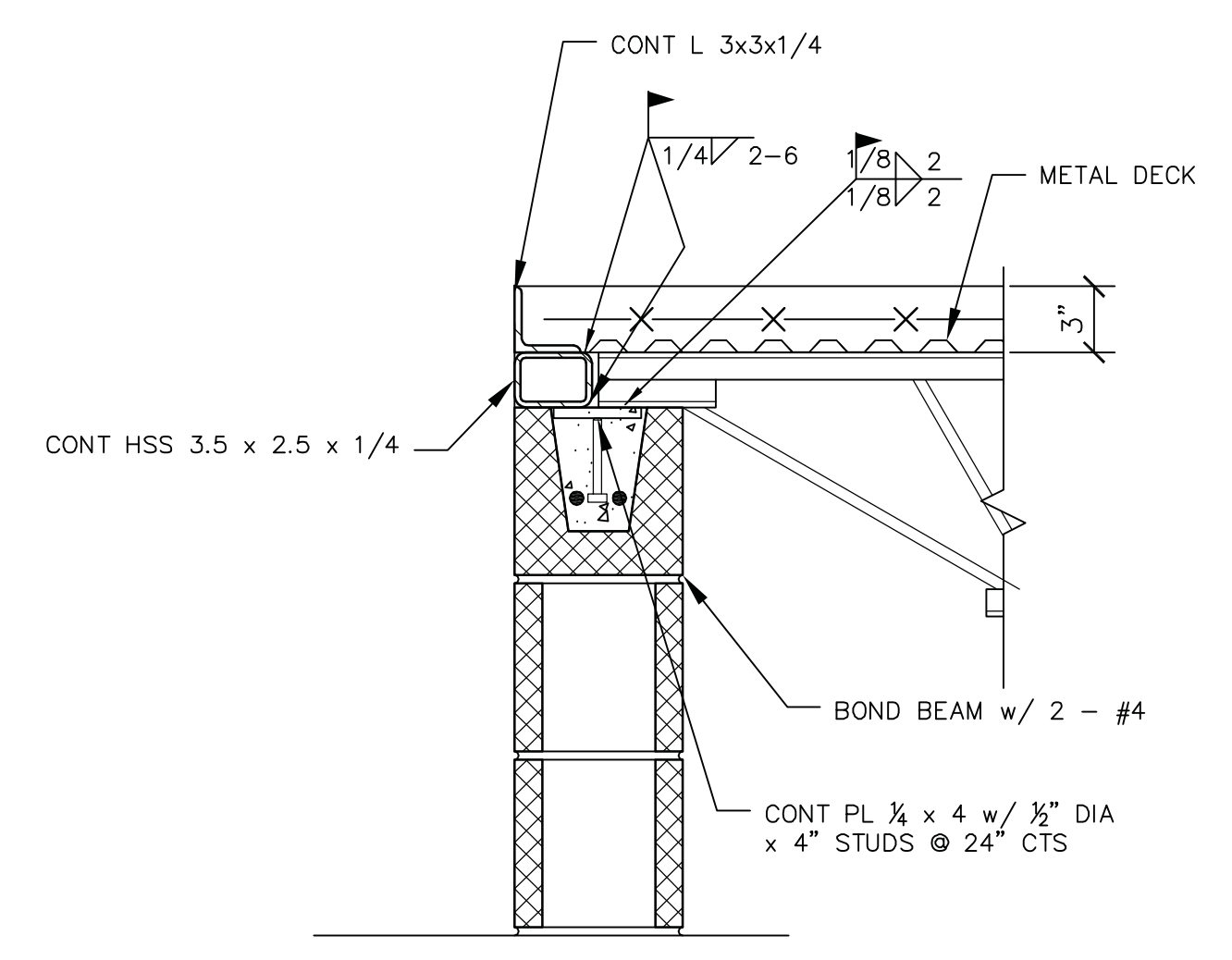
7 PILASTER DETAIL
S-3



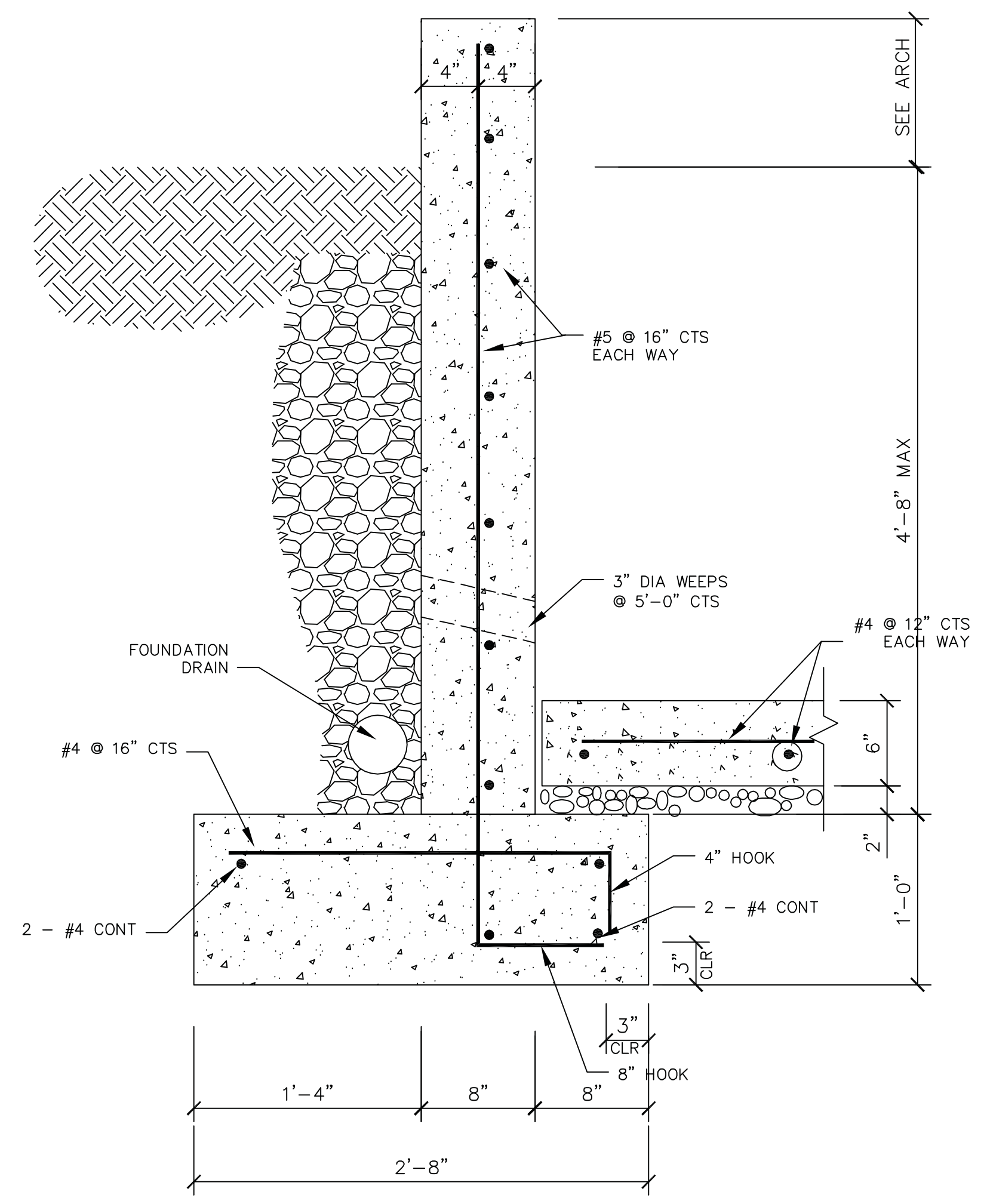
6 DECK BEARING DETAIL
S-3



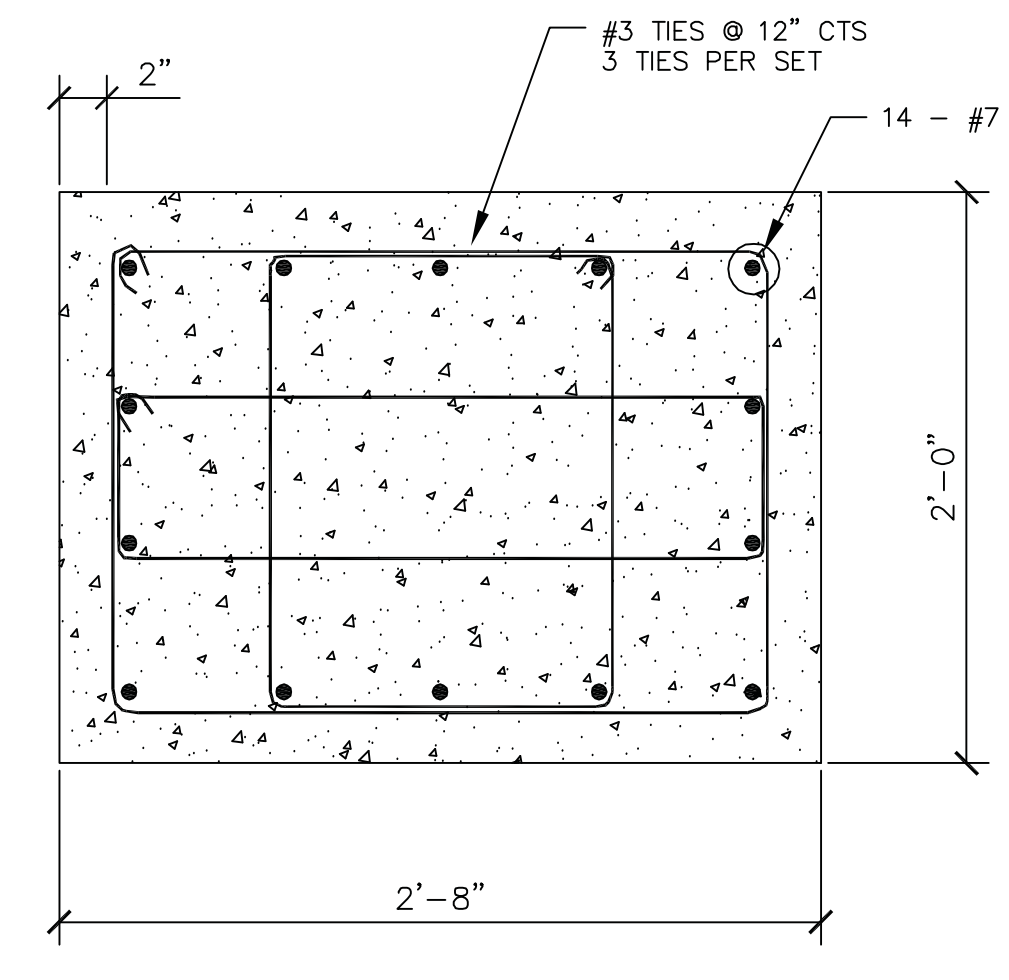
5 DECK BRG EDGE DETAIL
S-3



4 JOIST BRG DETAIL
S-3



9 RETAINING WALL DETAIL
S-3



8 PILASTER SECTION
S-3

DESIGN LOADS			
FOOTING	GRAVITY LOAD	UPLIFT	HORIZONTAL
A	15.9 K	14.9 K	12.9 K
B	21.7 K	14.2 K	6.7 K
C	33.2 K	27.9 K	29.2 K
D	36.9 K	31.2 K	0
E	58.3 K	40.9 K	0
F	64.7 K	45.5 K	0

